


19576000	DATA SHEET	
Valid from: 29.08.2022	EPIC® H-A 32 TS	

Description

- The large, robust housing for two inserts of size 16.



General Characteristics

Series	H-A 32
Version	Hood
Locking	Bolts for double lever
Cable entry	1x lateral, see table
Gland body	See table
Protection (DIN EN 60529)	IP 65 (latched)
Temperature Range	-40°C to +100°C, short term up to +125°C

Materials / Surfaces

Housing	Aluminium alloy, powder-coated, grey
Locking	Steel, zinc-plated
Gland body	Brass, nickel-plated


Standard

Safety Standard	IEC 61984
-----------------	-----------

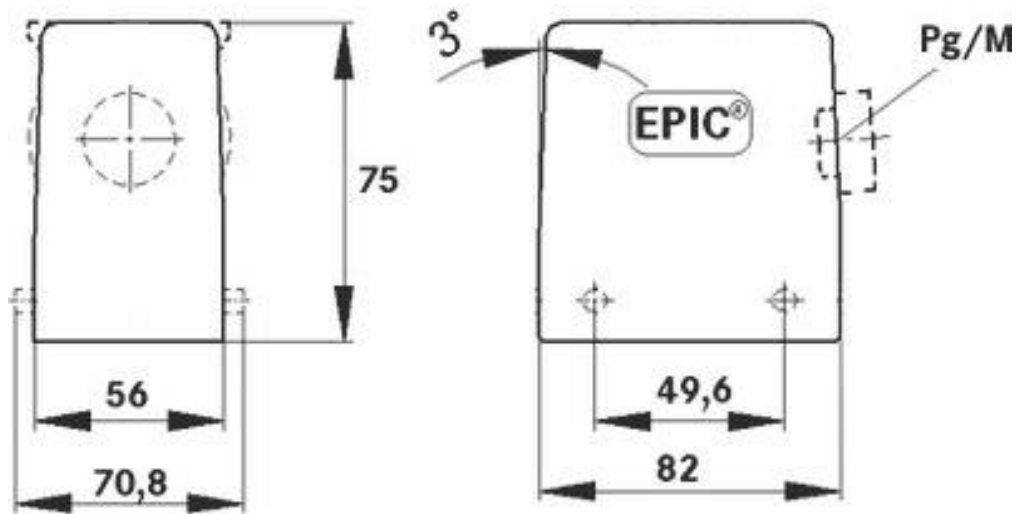
Versions

Article number	Article description	Cable entry	Gland body
10576000	EPIC® H-A 32 TS 21 ZW	Pg 21	Yes
10576200	EPIC® H-A 32 TS 21	Pg 21	No
10577000	EPIC® H-A 32 TS 29 ZW	Pg 29	Yes
19576000	EPIC® H-A 32 TS M25	M25	No
19577000	EPIC® H-A 32 TS M32	M32	No
19577500	EPIC® H-A 32 TS M40	M40	No

Creator: BEGE1/PDP Released: IVSE1/PDP	Document: DB19576000EN Version: 00	Page 1 of 2
---	---------------------------------------	-------------

19576000	DATA SHEET	
Valid from: 29.08.2022	EPIC® H-A 32 TS	

Technical Drawings



Industrial machinery and plant engineering



Mechanical resistance



Robust



Waterproof

Application range

Machine and equipment manufacturing, Control engineering

Remark

Photographs are not to scale and do not represent detailed images of the respective products.

Creator: BEGE1/PDP Released: IVSE1/PDP	Document: DB19576000EN Version: 00	Page 2 of 2
---	---------------------------------------	-------------