


10167000	DATA SHEET	
Valid from: 01.04.2022	EPIC® H-B 48 SD	

Description

- The large, robust housing for two inserts in one connector
- Power and data in one connector



General Characteristics

Series	H-B 48
Version	Surface-mount base with cover
Locking	Single lever
Cable entry	Lateral, see table
Gland body	See table
Protection (DIN EN 60529)	IP 65 (latched with hood)
Temperature Range	-40°C to +100°C, short term up to +125°C

Materials / Surfaces

Housing	Aluminium alloy, powder-coated, grey
Locking	Steel, zinc-plated
Gland body	Brass, nickel plated
Sealing	NBR
Cover	PA


Standard

Safety Standard	IEC 61984
-----------------	-----------

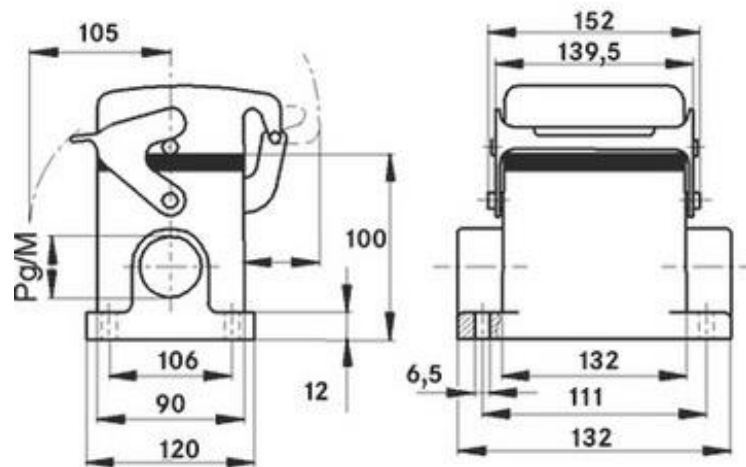
Versions

Article number	Article description	Cable entry (right)	Cable entry (left)	Gland body
10167000	EPIC® H-B 48 SDR 29 ZW	Pg 29	-	Yes
10167100	EPIC® H-B 48 SDR 36 ZW	Pg 36	-	Yes
10168000	EPIC® H-B 48 SDRL 29 ZW	Pg 29	Pg 29	Yes
10168100	EPIC® H-B 48 SDRL 36 ZW	Pg 36	Pg 36	Yes
19167000	EPIC® H-B 48 SDR M32 ZW	M32	-	Yes
19167100	EPIC® H-B 48 SDR M40 ZW	M40	-	Yes
19168000	EPIC® H-B 48 SDRL M32 ZW	M32	M32	Yes
19168100	EPIC® H-B 48 SDRL M40 ZW	M40	M40	Yes

Creator: BEGE1/PDP Released: IVSE1/PDP	Document: DB10167000EN Version: 00	Page 1 of 2
---	---------------------------------------	-------------

10167000	DATA SHEET	
Valid from: 01.04.2022	EPIC® H-B 48 SD	

Technical Drawings



Industrial machinery and plant engineering



Mechanical resistance



Robust



Waterproof

Application range

Plant engineering, Plastics industry

Remark

Photographs are not to scale and do not represent detailed images of the respective products.

Creator: BEGE1/PDP Released: IVSE1/PDP	Document: DB10167000EN Version: 00	Page 2 of 2
---	---------------------------------------	-------------