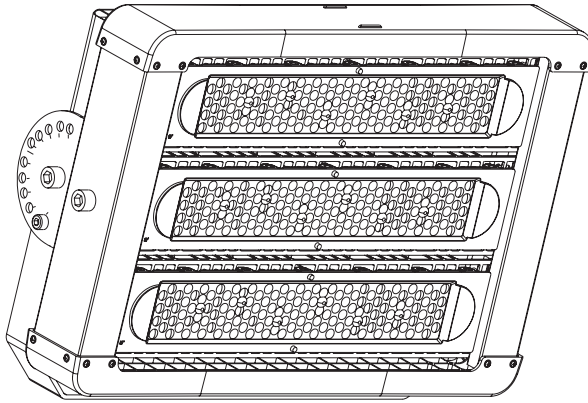
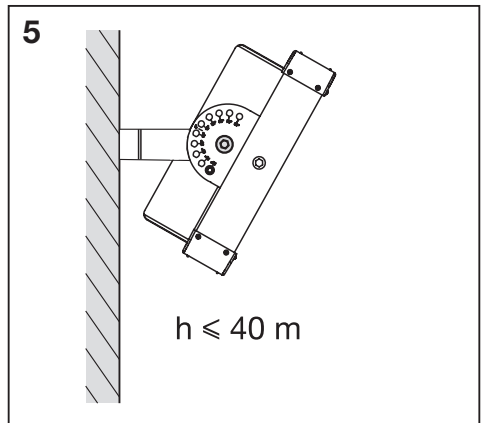
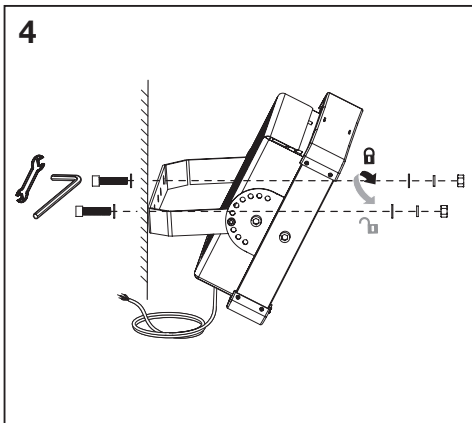
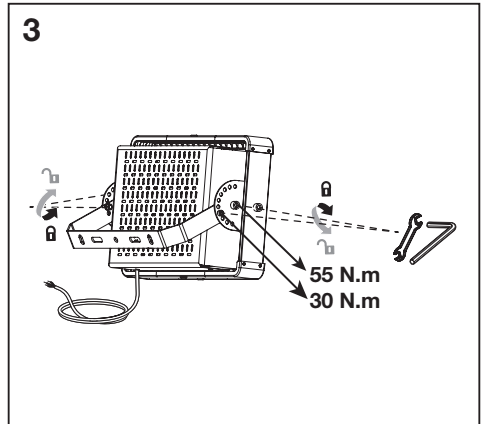
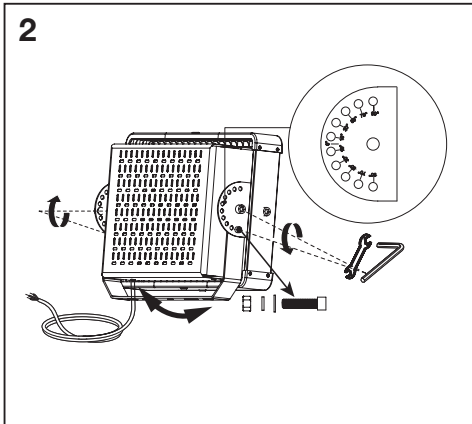
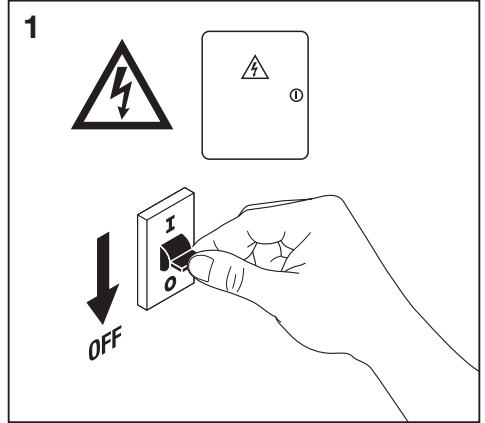
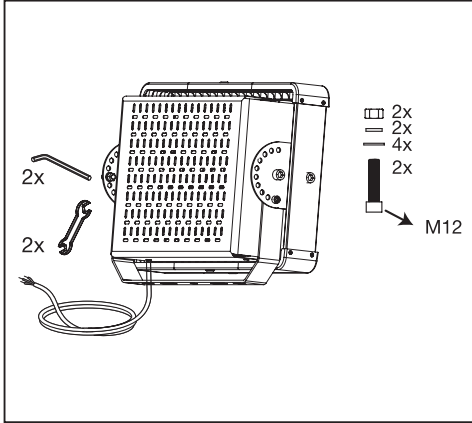


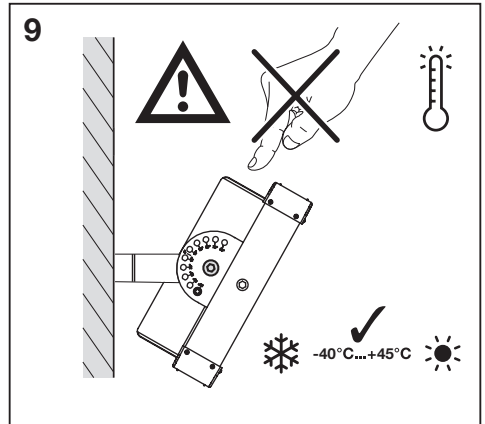
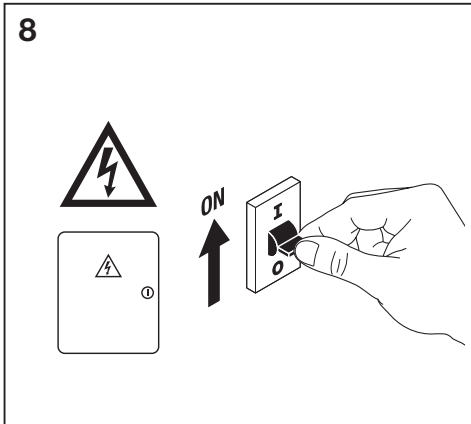
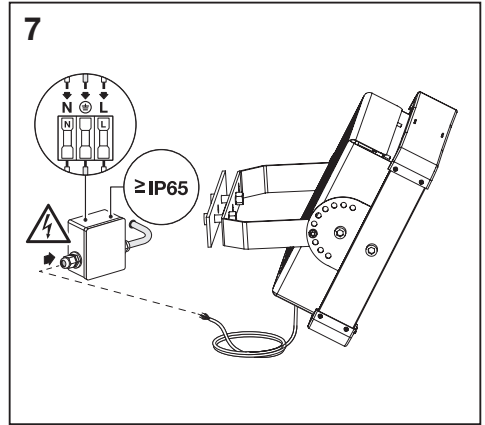
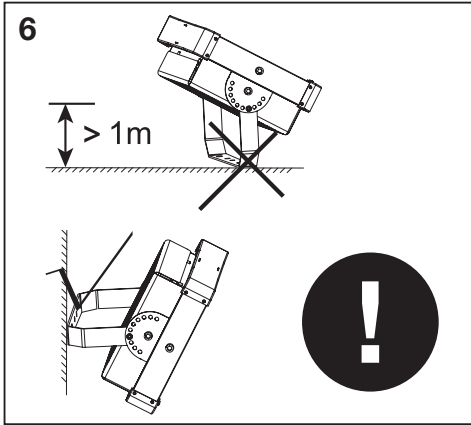
ECO CLASS HP FLOOD



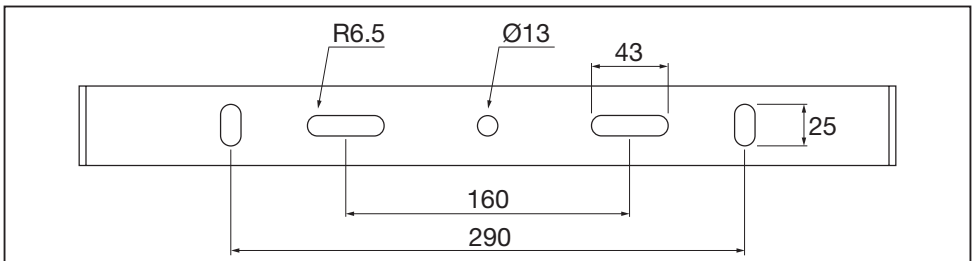
	EAN	lxwxh[mm]	W	VAC	Hz	lm	lm/W	K
ECO CLASS HP FLOOD 300W 840 VN 36600 LM BK	4058075372443	552x370x152	300	100-240	50/60	36600	122	4000
ECO CLASS HP FLOOD 300W 840 N 41100 LM BK	4058075372450	552x370x152	300	100-240	50/60	41100	137	4000
ECO CLASS HP FLOOD 300W 840 W 40500 LM BK	4058075372467	552x370x152	300	100-240	50/60	40500	135	4000
ECO CLASS HP FLOOD 300W 857 VN 36600 LM BK	4058075372474	552x370x152	300	100-240	50/60	36600	122	5700
ECO CLASS HP FLOOD 300W 857 N 41100 LM BK	4058075372481	552x370x152	300	100-240	50/60	41100	137	5700
ECO CLASS HP FLOOD 300W 857 W 40500 LM BK	4058075372498	552x370x152	300	100-240	50/60	40500	135	5700

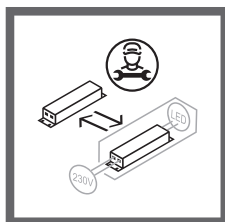
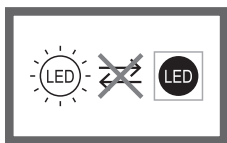
	EAN	IP	IK	∠	lm/m ²	R _a	°(°C)	PF	👤
ECO CLASS HP FLOOD 300W 840 VN 36600 LM BK	4058075372443	65	08	30°	0.193	>80	-40...+45	>0.95	11.5kg
ECO CLASS HP FLOOD 300W 840 N 41100 LM BK	4058075372450	65	08	60°	0.193	>80	-40...+45	>0.95	11.5kg
ECO CLASS HP FLOOD 300W 840 W 40500 LM BK	4058075372467	65	08	90°	0.193	>80	-40...+45	>0.95	11.5kg
ECO CLASS HP FLOOD 300W 857 VN 36600 LM BK	4058075372474	65	08	30°	0.193	>80	-40...+45	>0.95	11.5kg
ECO CLASS HP FLOOD 300W 857 N 41100 LM BK	4058075372481	65	08	60°	0.193	>80	-40...+45	>0.95	11.5kg
ECO CLASS HP FLOOD 300W 857 W 40500 LM BK	4058075372498	65	08	90°	0.193	>80	-40...+45	>0.95	11.5kg





	B16	B25	B32	C16	C25	C32
ECO CLASS HP FLOOD 300W	2	3	4	3	5	6





C10449057
G11121512
20.08.21



LEDVANCE GmbH
Steinerne Furt 62
86167 Augsburg, Germany
www.ledvance.com