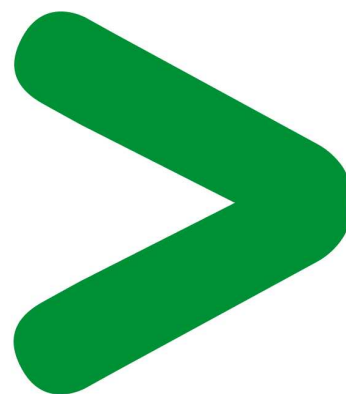


Product End-of-Life Instructions

Power Logic™
PM5563 Transducer Meter



Product End-of-Life Instructions – EoLI

Product overview

Product Range: Power Logic™

Marketing Model/Name: METSEPM5563

Size: H x L x D in mm = 96 x 96 x 92

Weight in g = 425

Purpose

The product family must be disposed according to the legislation of the country. This document is intended for use by end of life recyclers or treatment facilities. It provides the basic information to assure an appropriate end of life treatment for the components and materials of the product.

Note:

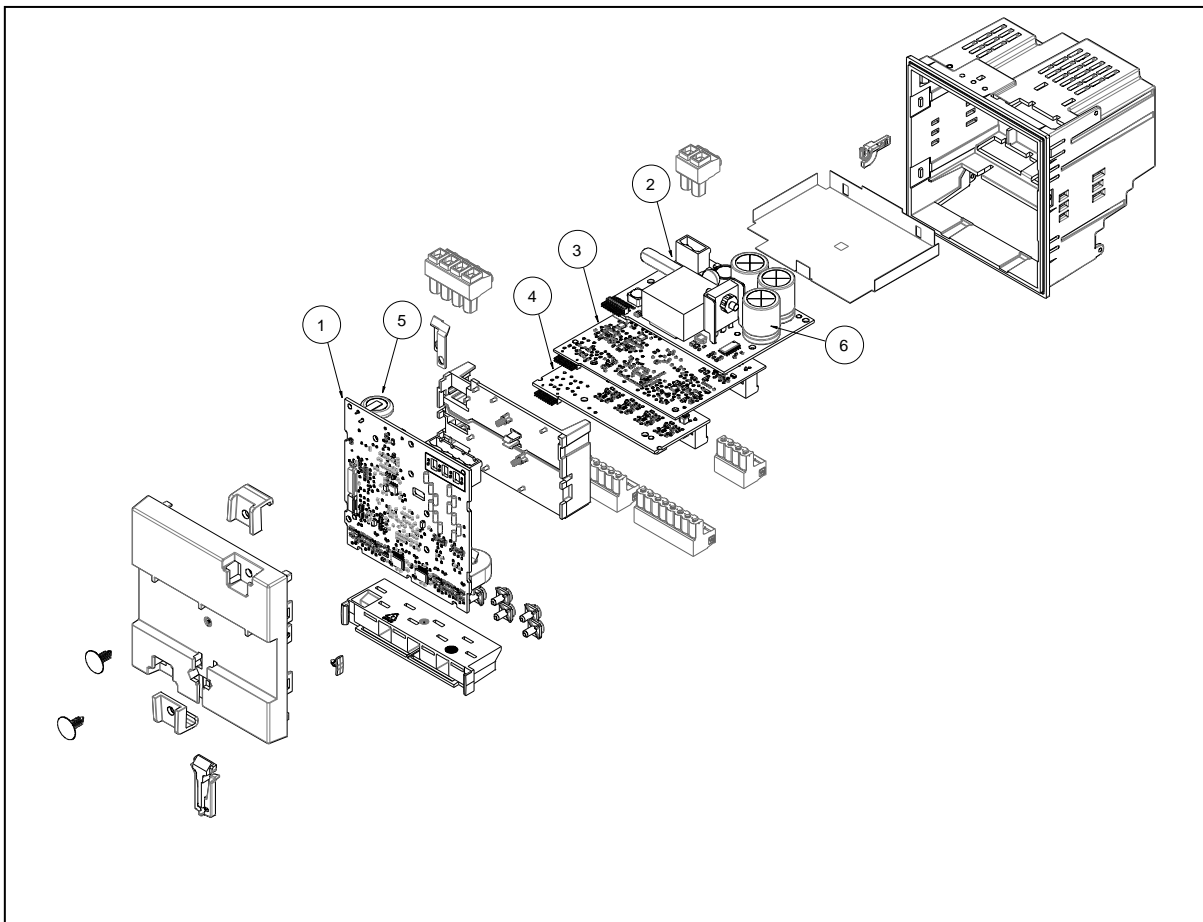
This product family is in the scope of European Union directive 2012/19/EU on Waste Electrical and Electronic Equipment (WEEE).

Operations recommended for the end of life treatment

There are several steps to process the products at the end of life so as to recover components, materials or energy :

Reuse → Separation for special treatment → Other dismantling → Shredding

The components of the products that optimize the recycling performances are listed, identified and located hereunder.



Product End-of-Life Instructions – EoLI

Recommendation	Number on drawing	Components	Weight (in g)	Comment
Special treatment	1	PCB, ANALOG BOARD	56.29	EAV34441
	2	PCB, PSU BOARD	99	HRB13413
	3	PCB, COMMS BOARD	35.76	EAV40791
	4	PCB, IO BOARD	19.5	S1B58702
	5	BAT LI/MNO2	1.5	BR1632AHAN
	6	Electrolytic Aluminium Capacitor	7.75 x 3	HUA17669

EoLI achieved with Schneider-Electric TT03 V5 procedure

Schneider Electric Industries SAS

35, rue Joseph Monier
CS 30323
F- 92506 Rueil Malmaison Cedex
RCS Nanterre 954 503 439
Capital social 896 313 776 €

www.schneider-electric.com