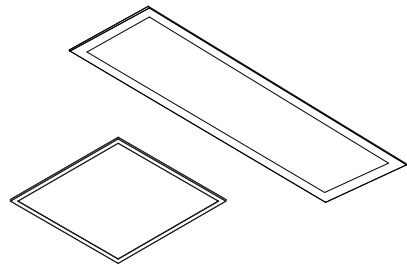


Item Code	Luminaire Description	CCT	kg
542003108200	LEDPanelS-P6 Sq595-34W-BLE2-TW-U19	/	1.99kg
542003108300	LEDPanelS-P6 Re295-34W-BLE2-TW-U19	/	2.02kg
542003108400	LEDPanelS-P6 Sq620-34W-BLE2-TW-U19	/	2.12kg
542098045500*	LEDPanelS-P Suspension-Kit-G6	/	0.16kg
140057770*	LEDPanelRc-SI-Mounting-Springs-595	/	0.13kg

* Accessories should be purchased separately.



Model Name	A(mm)	B(mm)	C(mm)
LED SPL-RC-P SQ595-BLE-34W	595	595	26
LED SPL-RC-P SQ620-BLE-34W	620	620	29
LED SPL-RC-P RE295-BLE-34W	295	1195	26

Light Source

Product Code	Product Description	N	Light source code	QR Code	Energy Label
542003108300	LEDPanelS-P6 Re295-34W-BLE2-TW-U19	3	LS074003431-01		
542003108200	LEDPanelS-P6 Sq595-34W-BLE2-TW-U19	8	LS074003431-02		
542003108400	LEDPanelS-P6 Sq620-34W-BLE2-TW-U19	8			

Recessed Mounting (Lay-in)

①

③

②

Bluetooth Operating Frequency: 2402-2480 MHz
Bluetooth Max Transmission Power: <20dBm

gray to gray

white to white

Terminal block not included.
Installation may require advice from a qualified person.
Only use suitable connection boxes with internal terminal blocks conform to EN60998-2-1 or EN60998-2-2. Terminal should be capable for at least 450V 16A, 0.75mm² wiring.

Type	L1(mm)	L2(mm)	L3(mm)	L4(mm)
SQ595				
SQ620	≥500	≥500	≥500	≤450
RE295				

100 Min

BLE version,
Do not put in a closed metal or cement space.

Suspension (Suspension kit to be purchased separately)

①

④

②

⑤

2 X 2 X M4

Type	L(mm)
SQ595	296
SQ620	296
RE295	856

350 ~ 1350

Recessed Mounting (Clips) For Static/DALI/10V

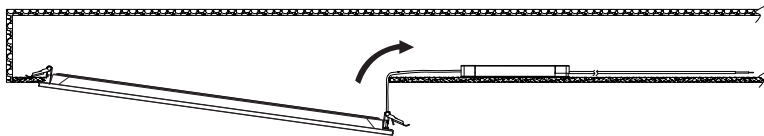
①

②

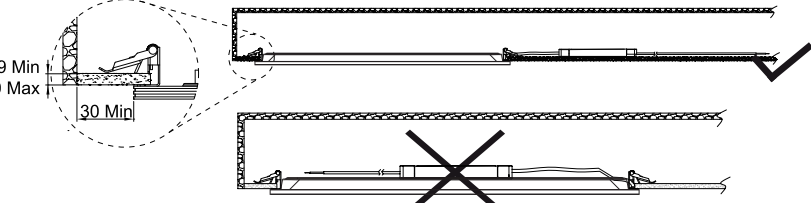
Type	L(mm)	W(mm)
SQ595	580	580
SQ620	580	580
RE295	1180	280

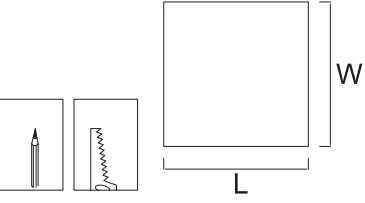
Clips should be purchased separately as accessory

For BLE

① 

Type	L(mm)	W(mm)
SQ595	580	580
SQ620	580	580
RE295	1180	280

② 




Caution

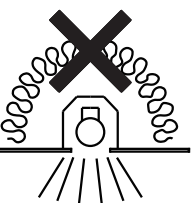
The luminaire is only suitable for safety extra low voltage supply (<50Va.c.; <120Vd.c.).




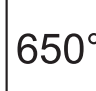

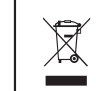







The controlgear for the connection panel should be SELV.
It must be basic insulation between FELV and SELV, as is FELV and LV supply for 1-10V and DALI type.

For non-user replaceable light sources:
The light source contained in this luminaire shall only be replaced by the manufacturer or his service agent or a similar qualified person.

Terminal block not included. Installation may require advice from a qualified person.
Only use suitable connection boxes with internal terminal blocks conform to EN60998-2-1 or EN60998-2-2 Terminal should be capable for at least 450V 16A, 0.75mm² wiring.

 Caution: Any operation on LED module is forbidden while power-on.
Zur Vermeidung von Risiken müssen defekte Leitungen ausschließlich vom Hersteller, Inverkehrbringer oder Fachmann ausgetauscht werden.
Achtung: In Betrieb ist keine Arbeit am LED-Modul erlaubt.

 Luminaires not suitable for covering with thermally insulating material.
Leuchten sind nicht mit thermisch isolierenden Materialien abzudecken.
In case of damage to the wire, it has to be replaced only by the manufacturer, distributor or by an expert, to avoid risks.

Data subject to change
Les données sont sujettes à modifications
Änderungen vorbehalten

Suzhou Oppl Lighting Co.,Ltd.
215200
East Side, Fenyang Road,
Fenhu Economic Development Zone,
Wujiang City, Jiangsu Province,
P.R.China

Oppl Lighting BV
Meerenakkerweg 1-07
5652 AR Eindhoven
The Netherlands
service@opple.com
www.opple.com

