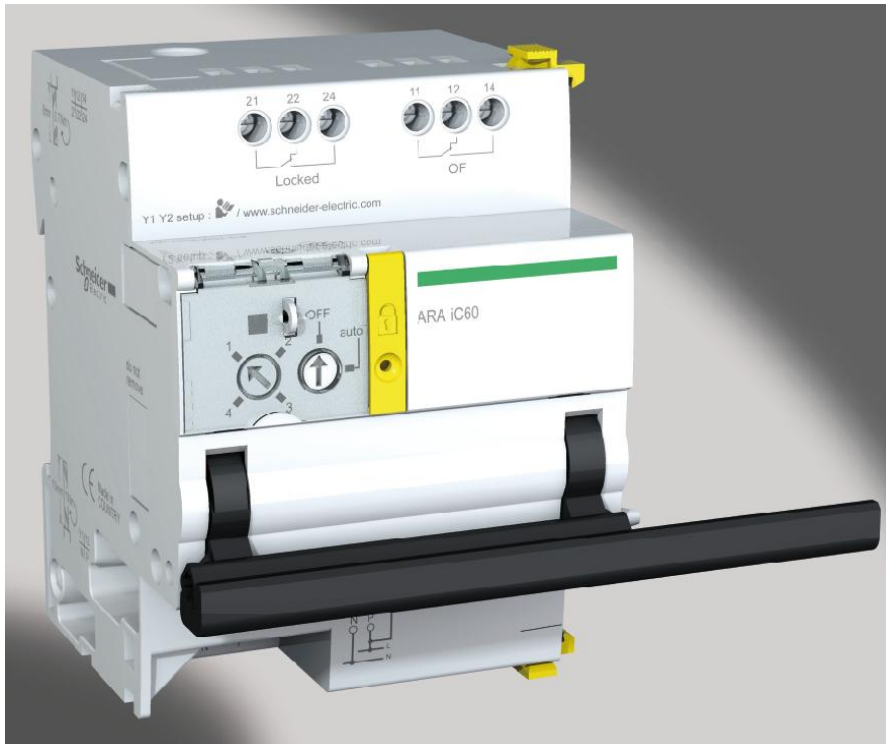
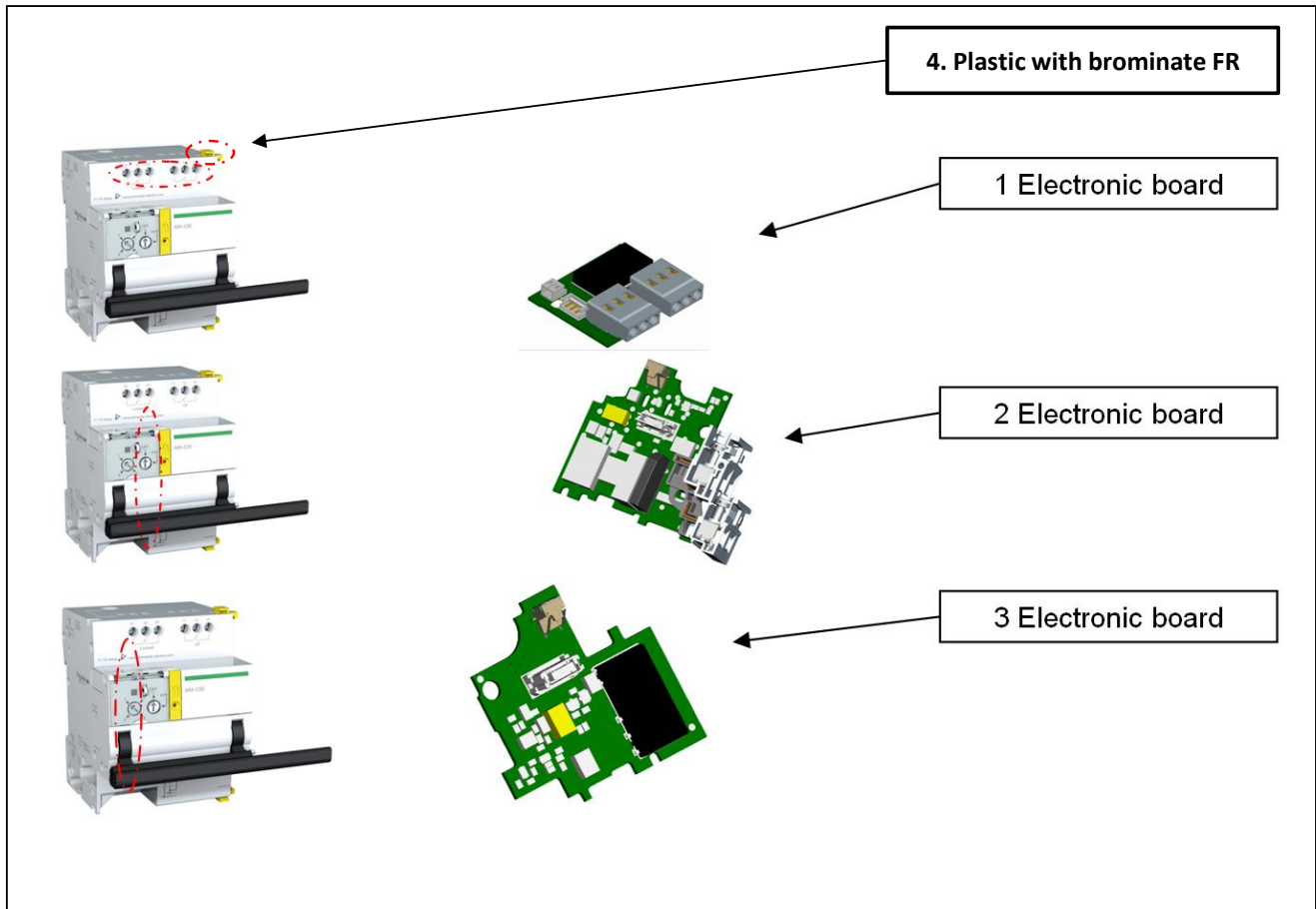


Product End of Life Instructions

Acti 9 ARA - Automatic Recloser Auxiliary



End of Life Instructions



Recommendation	Number on drawing	Component / Material	Weight (in g)	Comment
To be depolluted	1	Electronic Board (Communication) >	32	Assembly electronic board
To be depolluted	2	Electronic Board (Power) > 10cm ²	21	Assembly electronic board
To be depolluted	3	Electronic Board (Communication) >	16	Assembly electronic board
To be depolluted	4	PC, ABS-PC, PA, PA6, HDPE, SAN	2,3	Plastic with brominate FR

Product description

Manufacturer identification	Schneider Electric Industries SAS
Brand name	Schneider Electric
Product function	The product performs automatic reclosing of the associated protection device, after tripping. Increase the availability of installations without supervision, isolated, hard of access and demanding very great availability (mobile telephony systems, motorways, pumping stations, airports, railways, meteorological stations, public lighting, tunnels, etc.) by restoring them
Product reference	A9C70134

Additional similar product references	A9C70134
Total representative product mass	421,1
Representative product dimensions	85mm x 63mm x 75mm
Date of information release	08/2016



Additional information

Legal information	The product family must be disposed according to the legislation of the country. This document is intended for use by end of life recyclers or treatment facilities. It provides the basic information to assure an appropriate end of life treatment for the components and materials of the product.	
Recyclability potential	57%	Based on "ECO'DEEEE recyclability and recoverability calculation method" (version V1, 20 Sep. 2008 presented to the French Agency for Environment and Energy Management: ADEME).

Schneider Electric Industries SAS

CATHERINE COLIN

catherine.colin@fr.schneider-electric.com

Country Customer Care Center" "<http://www2.schneider-electric.com/sites/corporate/en/support/operations/local-operations/local-operations.page>

35, rue Joseph Monier

CS 30323

F- 92506 Rueil Malmaison Cedex

RCS Nanterre 954 503 439

Capital social 896 313 776 €

www.schneider-electric.com

Published by Schneider Electric

ENVEOLI110606EN_V1

© 2016 - Schneider Electric – All rights reserved

08/2016