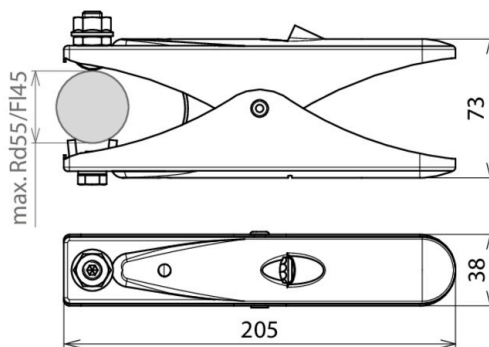


EZ 55 FL45 ASM10 STGALZN (546 000)



Figure without obligation



| Type | EZ 55 FL45 ASM10 STGALZN |
|------------------------|--------------------------|
| Part No. | 546 000 |
| Material of tongs | St/gal Zn |
| Clamping range Rd / FI | up to Ø55 / up to 45 mm |
| Length | 205 mm |
| Connection nut | M10 |
| Material of screw | StSt |
| Weight | 451 g |
| Customs tariff number | 85359000 |
| GTIN | 4013364019959 |
| PU | 1 Stk |

We reserve the right to introduce changes in performance, configuration and technology, dimensions, weights and materials in the course of technical progress. The figures are shown without obligation.