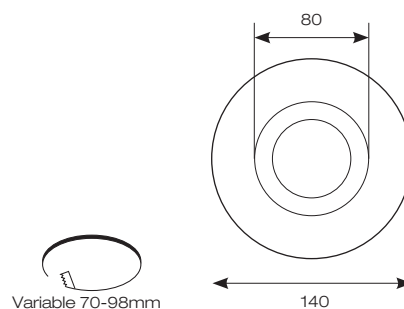


# Converter Kit Low Voltage and GU10



- Retrofit converter kit to replace mains reflector downlights (R50, R64, R80) and eyeballs (R50, R64)
- Supplied with converter plate, downlight and a choice of low voltage and GU10 lampholders for MR16, GU10, CFL or LED lamp sources



White



Satin Chrome



CODE	DESCRIPTION	MAX WATTAGE	CLASS	IP	TRADE
ACP/W	White	50W	3 (MR16) or 1 (GU10)	IP20	£12.75
ACP/SC	Satin Chrome				£17.60