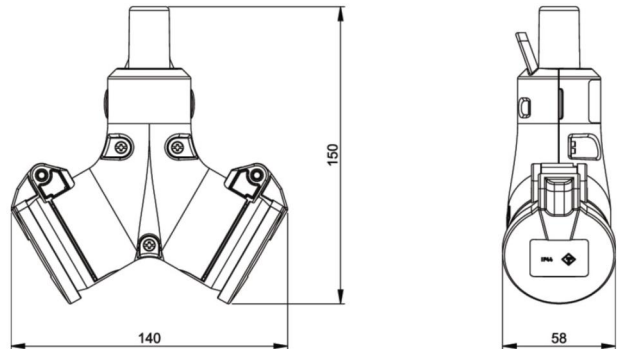


PCE data sheet

article#	25212-rc
article description	2-way connector with lid IP44
description long	- with hinged lid - insert: polyamide - with shutter
GTIN (EAN)	9003399764820
country of origin	PL
customs number	85366990
net weight	0.223 kg
packaging quantity	10
minimum order quantity	10

ETIM 7.0	EC000379
Number of socket outlets with protective contact	2
Material housing	Plastic
Contact material	CuZn
Surface finish contacts	Nickel-plated
Power supply/connection possibility	Feeder cable with plug
Number of poles mains connection	3
Diameter cable entry	Other
Handling	Portable
Degree of protection (IP)	IP44
Colour	Red
Height	150 mm
Width	140 mm
Depth	58 mm

wire flexible	1-2,5 mm ²
contact screws	80 Ncm
strain relief	80 Ncm
dismantling length	30 mm
stripping length	7 mm



www.manufacturer-safety.info