

PRODUCT DATASHEET

Decor Memphis Floor 3 x G9

Decor Memphis | Decorative luminaires with socket G9 metal and glass



Areas of application

- Corridors
- Entrance areas
- Living rooms
- Bedrooms
- Kitchens
- Offices

Product benefits

- Elegant design
- Socketed luminaire, the lamps can be replaced

Product features

- Suitable for lamps with G9 base
- High quality glass and metal housing finish
- Decorative Luminaire



TECHNICAL DATA

Electrical data

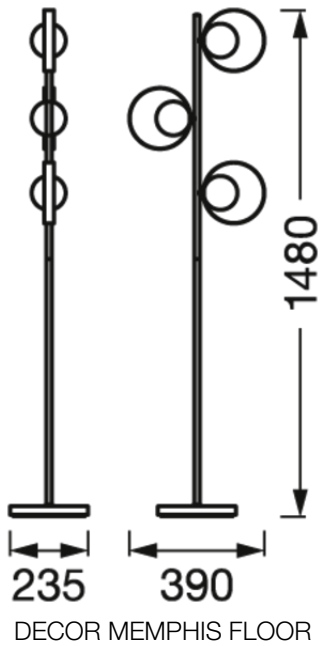
Nominal voltage	220...240 V
Mains frequency	50...60 Hz
Protection class	II

Photometrical data

Flickering metric (Pst LM)	-
Stroboscope effect metric (SVM)	-

Dimensions & Weight

Diameter	388.00 mm
Height	1480.00 mm
Product weight	4090.00 g
Cable length	2000 mm



Materials & Colors

Product color	Black
Housing color	Black

Body material	Steel
Mercury content	0.0 mg

Application & Mounting

Ambient temperature range	-20...+40 °C
Type of connection	Plug type C (EU)
Type of protection	IP20
Dimmable	No
Mounting type	Standing
Application environment	Indoor
Adjustable	No
With light source	No
Holder designation	G9

Certificates & Standards

Standards	CE
Ball shot safe	No

Additional product data

Number of illuminants	1
-----------------------	---


EQUIPMENT / ACCESSORIES


- Complete mounting and connecting accessories included

Safety advice

- All electrical connections must be made by a qualified person.
- Caution, risk of electric shock.
- Product in protection class I. All electrically conductive, metallic housing parts that can absorb voltage during operation or during maintenance in the event of a fault must be continuously connected to the protective earthing conductor.
- Check wall-ceiling for suitability. If uncertain, seek professional advice.

DOWNLOAD DATA

Documents and certificates	Document name
 User instruction / safety instructions	UI_DECOR MEMPHIS

Documents and certificates	Document name
 Declarations of conformity	DECOR NAIROBI/MEMPHIS

LOGISTICAL DATA

Product code	Packaging unit (Pieces/Unit)	Dimensions (length x width x height)	Gross weight	Volume
4058075759244	Folding box 1	155 mm x 315 mm x 840 mm	4572.00 g	41.01 dm ³
4058075759251	Shipping box 1	855 mm x 330 mm x 170 mm	5565.00 g	47.97 dm ³

The mentioned product code describes the smallest quantity unit which can be ordered. One shipping unit can contain one or more single products. When placing an order, for the quantity please enter single or multiples of a shipping unit.

DISCLAIMER

Subject to change without notice. Errors and omission excepted. Always make sure to use the most recent release.