

Intellia Dual IR Flame Detector 55000-280APO

Instruction Sheet
R10094GB0



Schneider Electric Fire & Security Oy

Sokerilinnantie 11 C
FI-02600 Espoo, Finland
Tel: +358 10 446 511
Website: www.schneider-electric.com
Document number: R10094GB0
Published: 30.04.2019

© 2018 – Schneider Electric. All Rights Reserved. This information is only to be used as guidance. Subject to changes and errors.

Contents

1	Intellia Dual IR Flame Detector 55000-280APO.....	4
1.1	Features	4
1.2	Product Codes	4
1.3	Appendix	5

1 Intellia Dual IR Flame Detector 55000-280APO

The Intellia Dual Infra-red (IR) Flame Detector is designed to protect areas where open flaming fires may be expected.

The Intellia series of products are all compatible with the ALC-board of Esmi Sense FDP and FX panels.

1.1 Features

The Intellia Dual IR Flame Detector is sensitive to low-frequency, flickering infra-red radiation emitted by flames during combustion. Since it responds to flickering radiation the Intellia Dual IR Flame Detector can operate even if the lens is contaminated by a layer of oil, dust, water-vapour or ice.

The Intellia Dual IR Flame Detector is set to respond to low-frequency radiation at 1 to 15Hz (1 to 2.7µm) in order to detect all flickering flames, including those invisible to the naked eye, eg, those emitted by hydrogen fires.

The Intellia Dual IR Flame Detector has two IR sensors that respond to different IR wavelengths in order to discriminate between flames and spurious sources of radiation. False alarms due to such factors as flickering sunlight are avoided by a combination of filters and signal processing techniques.

The Intellia Dual IR Flame Detector operates with the ALC loop controller in Esmi Sense FDP and FX-Fire alarm control panel.

The Intellia Dual IR Flame Detector is loop powered and needs no external supply. A remote LED alarm indicator may be connected to the flame detector.

1.2 Product Codes

A range of accessories and test equipment is available for the Intellia Dual IR Flame Detector:

Accessories	Product code
Intellia Dual IR Flame Detector 55000-280APO	FFS06725280
Accessories	Product code
29600-206APO Weathershield (see Fig. 5)	FFS06725282
29600-226APO Flame Sensor Test Unit and case	FFS06725283
29600-203APO Stainless steel, 2 axis adjustable mounting bracket	FFS06725281

1.3 Appendix

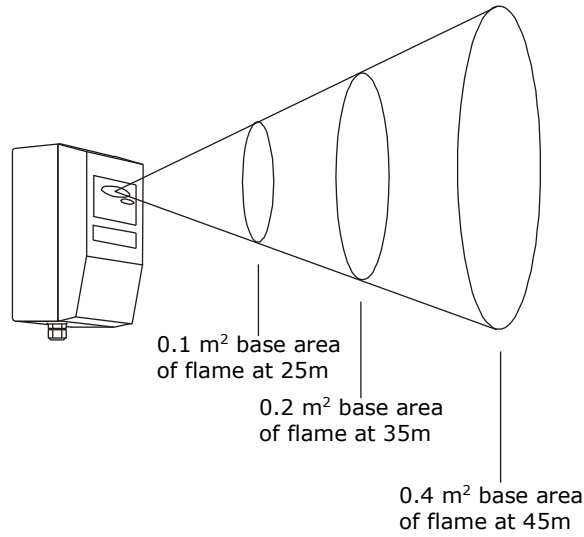


Fig 1. Flame detection as a function of flame size and distance from detector

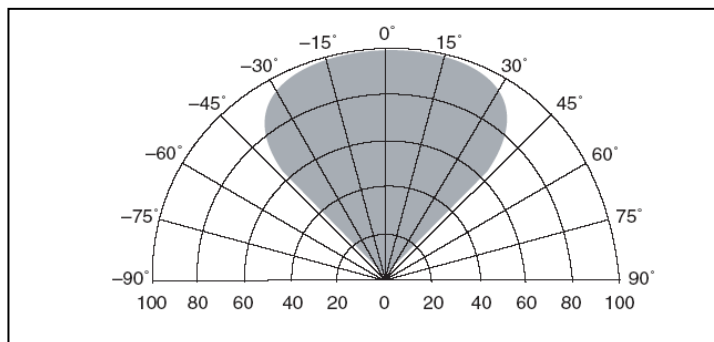


Fig 2. Range of view of Intellia Flame Detector

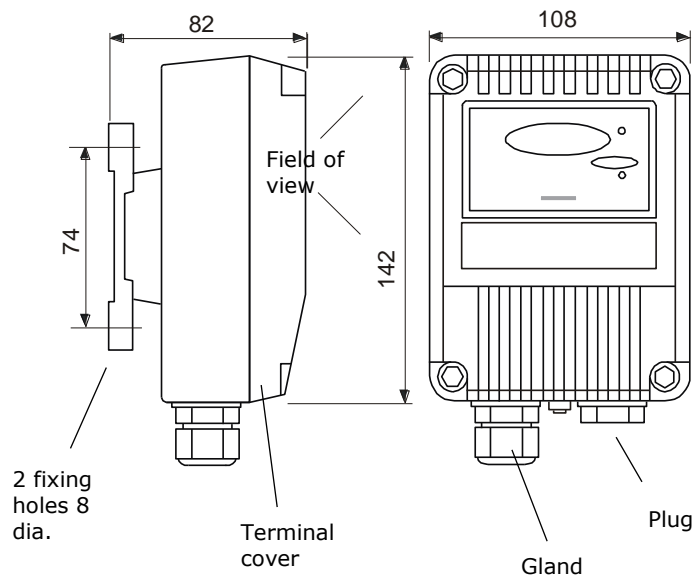


Fig 3. Front and side view to show dimensions of flame detector

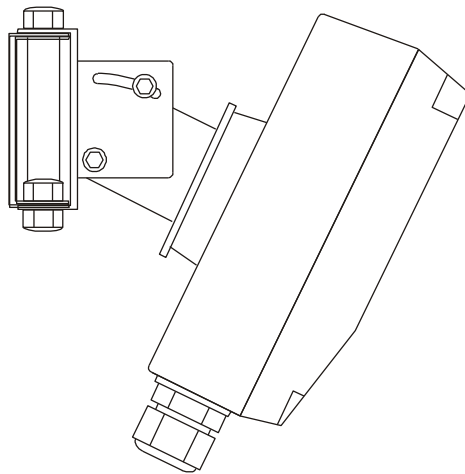


Fig 4. Intellia Dual IR Flame Detector on stainless steel 2 axis adjustable mounting bracket

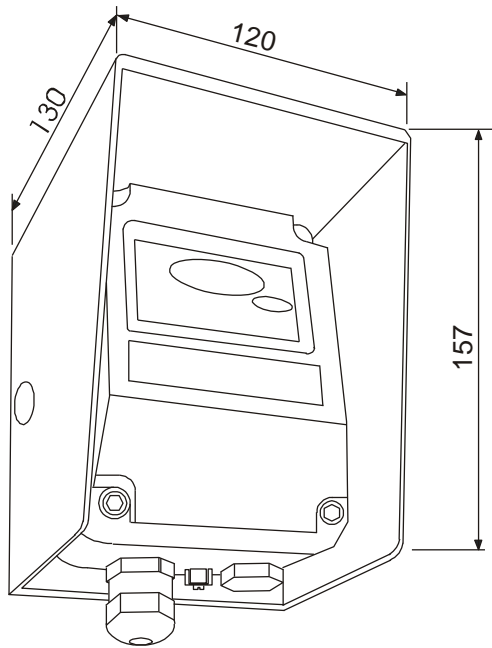


Fig 5. Intellia Dual IR Flame Detector with Weathershield