


|                           |                                  |   |
|---------------------------|----------------------------------|---|
| 52103405                  | <b>DATA SHEET</b>                |  |
| Valid from:<br>14.04.2023 | <b>SKINDICHT® BL-M hexagonal</b> |   |

The SKINDICHT® BL-M hexagonal brass blind plugs with metric thread for ensuring the unused threaded holes are closed and sealed, incl. O-Ring.



**Components:**

|        |  |
|--------|--|
| Body   | Brass, nickel-plated<br>Brass lead free, nickel-plated |
| O-Ring | NBR<br>(On request VITON® O-Ring)                      |

**Technical features:**


|                   |  |
|-------------------|--|
| Connecting thread | M12x1,5 up to M63x1,5 acc. to EN 60423 |
| Protection class  | IP68 - 5bar, test acc. to EN 60529     |
| Temperature range | -30 °C up to +100 °C                   |

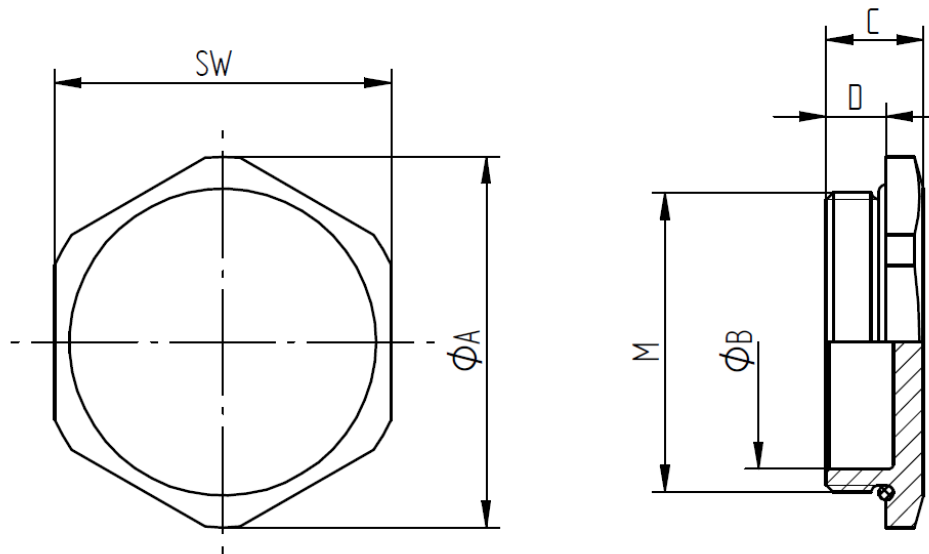
**Norm references:**



VITON® is a registered trademark of DuPont de Nemours.

|  |                                       |             |
|--|---------------------------------------|-------------|
| Creator: T. Dvoulety /PDP<br>Released: DAMU1/PDP | Document: DB52103405EN<br>Version: 04 | Page 1 of 2 |
|--|---------------------------------------|-------------|

|                           |                                  |   |
|---------------------------|----------------------------------|---|
| 52103405                  | <b>DATA SHEET</b>                |  |
| Valid from:<br>14.04.2023 | <b>SKINDICHT® BL-M hexagonal</b> |   |



| Thread M | SW [mm] | Ø A [mm] | Ø B [mm] | C [mm] | D [mm] | Article No. |                 |
|----------|---------|----------|----------|--------|--------|-------------|-----------------|
|          |         |          |          |        |        | Brass       | Brass lead free |
| M12x1,5  | 16      | 17,8     | 8,2      | 8      | 5      | 52103405    | 52103405LF      |
| M16x1,5  | 20      | 22       | 12,1     | 8      | 5      | 52103415    | 52103415LF      |
| M20x1,5  | 24      | 26,4     | 16       | 9,5    | 6      | 52103425    | 52103425LF      |
| M25x1,5  | 29      | 31,9     | 20       | 11     | 7      | 52103435    | 52103435LF      |
| M32x1,5  | 36      | 39,6     | 26,2     | 12     | 8      | 52103445    | -               |
| M40x1,5  | 45      | 49,5     | 33,8     | 13     | 8      | 52103455    | -               |
| M50x1,5  | 54      | 59       | 42,2     | 15     | 9      | 52103465    | -               |
| M63x1,5  | 67      | 73,5     | 55       | 16     | 10     | 52103475    | -               |

For more information please see our current catalogue. Please do not hesitate to contact our laboratory if there are any questions regarding resistance against aggressive agents and special oil.

|  |                                       |             |
|--|---------------------------------------|-------------|
| Creator: T. Dvoulety /PDP<br>Released: DAMU1/PDP | Document: DB52103405EN<br>Version: 04 | Page 2 of 2 |
|--|---------------------------------------|-------------|