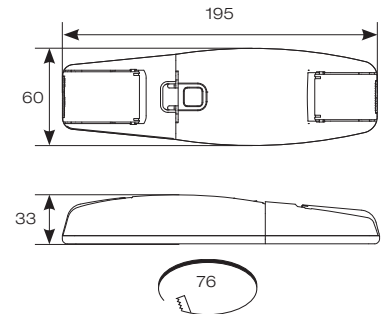


OCTO Indoor Controller Powered by Casambi



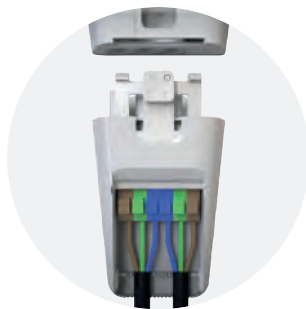
- Bluetooth enabled internal smart controller for use with the OCTO Casambi eco-system suitable for commercial and industrial applications
- Push-fit loop-in, loop-out terminals for ease and speed of installation
- Screw-less design
- Compatible with all other bluetooth OCTO Casambi devices as part of the OCTO Casambi ecosystem
- Intuitive fast operation from a smart lighting App
- Future proofed free software and firmware updates
- Can be used to control a group, sub groups or individual luminaires
- Settings easily commissioned by a smart device
- App commissioning includes full control, dimming, scene setting and pre-set timer
- Bluetooth wireless mesh ensures reliable and fast operation.
Range between devices: 15m internal, 30m external**

**** NB** The indoor and outdoor OCTO Controllers are designed to operate Triac dimmable LED luminaires and LED light sources, however consideration must be given to PFC (Power Factor Correction) which can affect the final loading. Please refer to instructions for further details.



OCTO
Embedded

Powered by
CASAMBI



Wiring Configuration



Installation Method

CODE	DESCRIPTION	OUTPUT	INPUT	HERTZ	CLASS	IP	TRADE
AOCTO/IC/50	Smart Indoor Controller	150W	220V-240V	50/60Hz	1	IP20	£165.00
AOCTO/IC/200	Smart Indoor Controller	200W	220V-240V	50/60Hz	1	IP20	£214.00