

Intelligent Photoelectric Smoke Detector 22051EISE

Instruction Sheet
R10058GB1



Schneider Electric Fire & Security Oy

Sokerilinnantie 11 C
FI-02600 Espoo, Finland
Tel: +358 10 446 511
Website: www.se.com
Document number: R10058GB11
Published: 03.05.2022

© 2022 – Schneider Electric. All Rights Reserved. This information is only to be used as guidance. Subject to changes and errors.

Contents

1	Intelligent Photoelectric Smoke Detector 22051EISE	4
1.1	Mechanical dimensions	5
1.2	Wiring	5
1.2.1	Non shielded cable	5
1.2.2	Shielded cable	6

1 Intelligent Photoelectric Smoke Detector 22051EISE

The 22051EISE detector (FFS06710248) is used in the Esmi Sense FDP and FX fire detection system together with the IST200 protocol translator and the Y72221 galvanic isolator.

The 22051EISE analogue addressable photoelectric sensor is a plug in intrinsically safe smoke sensor combining an optical sensing chamber with analogue addressable communications. As an intrinsically safe sensor, the 22051EISE has been designed specifically to provide fire protection for most hazardous environments, and has therefore been engineered so that it cannot become a source of ignition in areas where potentially explosive atmospheres are likely to arise.

The 22051EISE sensors are approved by BASEEFA to EEx ia IIC T5, for use in hazardous environments. The 22051EISE sensor is therefore suitable for use in all hazardous areas up to Zone 0 areas and with most gases, excluding hydrogen and acetylene.

The IST200 translator module is intended for use with analogue addressable systems and in conjunction with 22051EISE intrinsically safe photoelectric smoke sensors. The IST200 translator module serves as an interface between the control panel and up to a maximum of 15 x 22051EISE smoke sensors. The IST200 must also be used in conjunction with a Y72221 galvanic isolator barrier.

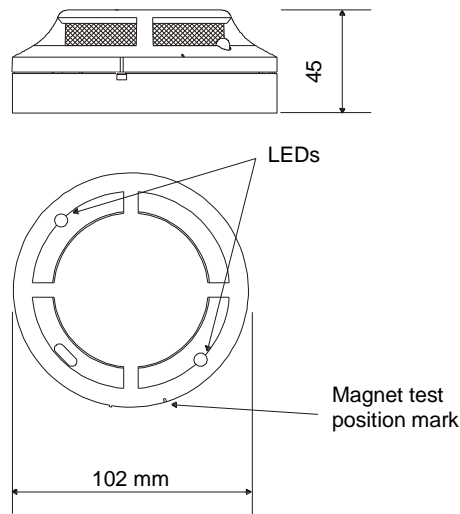
The IST200 translator module can be easily mounted within a surface mount box (BOX-500E). The IST200 must be located within a safe environment.

The Y72221 galvanic isolator is a single channel isolated repeater. It is suitable for use as an intrinsically safe isolator between an IST200 translator module and up to a maximum of 15 x 22051EISE intrinsically safe photo-electric smoke sensors.

The Y72221 is certified intrinsically safe to EEx ia IIC, (Baseefa00ATEX087X).

The Y72221 is suitable for DIN rail mounting and can therefore be mounted within any electrical box with suitable DIN rail.

1.1 Mechanical dimensions



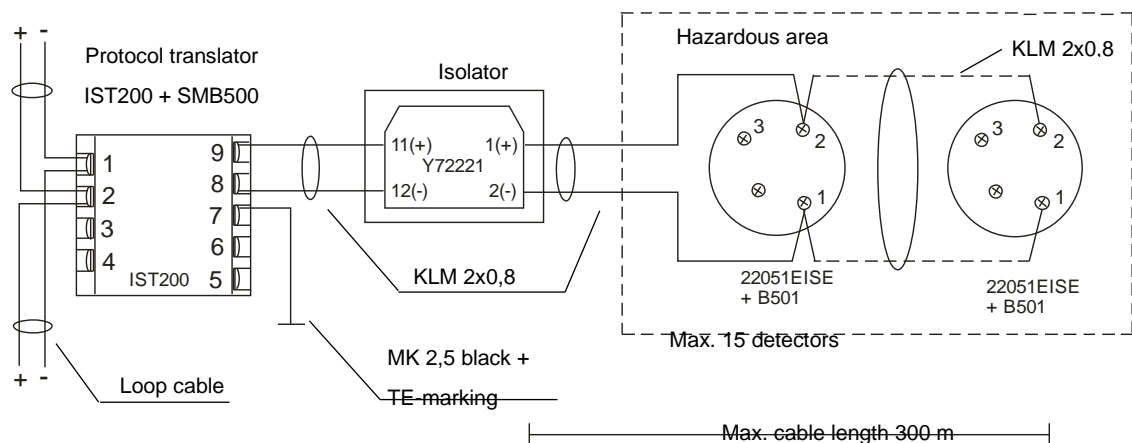
1.2 Wiring

The capacitance and inductance or inductance/resistance (L/R) ratio of the cable connected to the hazardous area between the 22051EISE base's (B501) power terminals (1 and 2) must not exceed the following values:

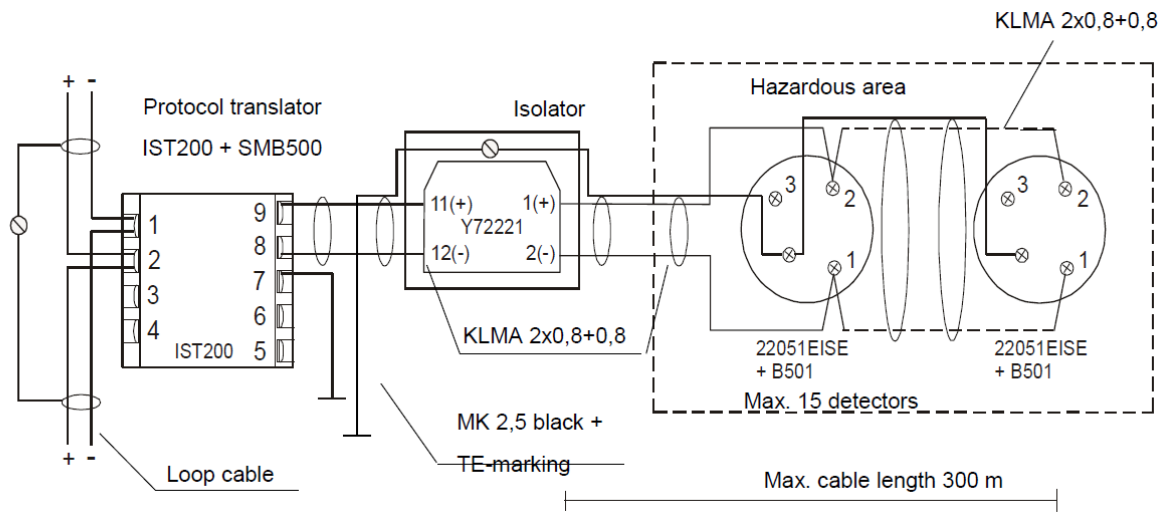
Group	Capacitance (µF)	Inductance (mH)	L/R Ratio (µH/ohm)
IIC	0.083	4.2	55
IIB	0.65	12.6	210
IIA	2.15	33.6	444

Maximum number of 22051EISE detectors connected to one IST200 = 15. Maximum cable length of the IS circuit = 300 m. This assumes a cable capacitance no greater than 260pF/m and a maximum wiring resistance of 40 ohms from the barrier output to the end of the IS loop.

1.2.1 Non shielded cable



1.2.2 Shielded cable



Note!

Hazardous area loop is a branch of the addressable loop.

Remote indicator cannot be connected to 22051EISE detectors.