

PRODUCT DATASHEET

SMART+ Modern Lantern 50cm Multicolor

Smart+ Modern Lantern Multicolor | Outdoor lantern with Bluetooth technology



Areas of application

- Outdoor use (IP44)

Product benefits

- Easy to install and use
- Colorful garden lighting with smart and intelligent control options
- Uses multi color and cold or warm white light for most flexible lighting scenes
- Combines the functionality of general lighting and mood lighting

Product features

- Available as wall and bollard luminaires
- Controllable via LEDVANCE SMART+ App (with minimum Android 8.0 or iOS 14.0)
- RGB color control, approx. 16 million color options adjustable
- Adjustable color temperature via Tunable White: 2,000...6,500 K
- Dimmable
- Diffuser made of clear polycarbonate
- Network protocol: Bluetooth
- For full functionality with control via Apple Home App connection to Apple TV (with tvOS 10 or later) or iPad (with iOS 10 or later) required



TECHNICAL DATA

Electrical data

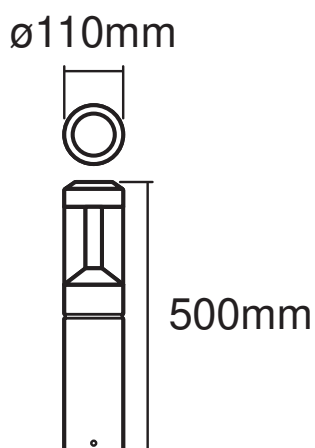
Nominal wattage	12.00 W
Nominal voltage	220...240 V
Mains frequency	50...60 Hz
Power factor λ	> 0.50
Protection class	I
Operating mode	Mains voltage

Photometrical data

Luminous flux	650 lm
Luminous efficacy	52 lm/W
Color temperature	2000...6500 K
Light color (designation)	RGBW
Color rendering index Ra	80
Beam angle	360 °

Dimensions & Weight

Diameter	110.00 mm
Height	500.00 mm
Product weight	1850.00 g



Materials & Colors

Product color	Dark gray
Housing color	Dark gray
Body material	Aluminum
Cover material	Polycarbonate (PC)
Mercury content	0.0 mg

Application & Mounting

Ambient temperature range	-20...+40 °C
Type of connection	Terminal
Type of protection	IP44
Dimmable	Yes
Type of dimming	Bluetooth
Mounting type	Surface
Mounting location	Ground
Application environment	Outdoor
LED module replaceable	Not replaceable
With light source	Yes

Lifespan

Lifespan L70/B50 at 25 °C	25000 h
Number of switching cycles	100000

Certificates & Standards

Standards	CE
-----------	----

Additional product data

Product remark	Reset settings to default by switching the product on for three seconds and off for three seconds and repeating this five times.
----------------	--

EQUIPMENT / ACCESSORIES

- For control via LEDVANCE SMART+ App, a smartphone or tablet is required (with minimum Android 8.0 or iOS 14.0)
- For control via Apple Home App iPhone (with iOS 10 or later), iPad (with iOS 10 or later) , Apple TV (with tvOS 10 or later) or Apple Watch (with watchOS 2 or later) required
- Power supply included

DOWNLOAD DATA

Documents and certificates

User instruction



Declarations Of Conformity CE

LOGISTICAL DATA

Product code	Packaging unit (Pieces/Unit)	Dimensions (length x width x height)	Gross weight	Volume
4058075184589	Folding box 1	194 mm x 194 mm x 536 mm	1988.00 g	20.17 dm ³
4058075232921	Shipping box 2	400 mm x 202 mm x 546 mm	4594.00 g	44.12 dm ³

The mentioned product code describes the smallest quantity unit which can be ordered. One shipping unit can contain one or more single products. When placing an order, for the quantity please enter single or multiples of a shipping unit.

References / Links

– Further information and frequently asked questions (FAQs) at www.ledvance.com/consumer/smart/faq

DISCLAIMER

Subject to change without notice. Errors and omission excepted. Always make sure to use the most recent release.