

PRODUCT DATASHEET

Panan Clip DIM 4000K

PANAN CLIP SQUARE | Mobile table luminaire with continuous dimming and clip fixture



Areas of application

- Bedrooms, study rooms
- Living rooms
- For indoor use only

Product benefits

- Attractive and functional design
- Can easily be moved to where light is needed thanks to battery operation
- Clip mechanism to easily fix the luminaire to various types of furniture
- Bendable luminaire neck for free orientation of light source
- Switching and stepless dimming via a touch sensitive sensor on the luminaire base

Product features

- Integrated rechargeable lithium battery which can be charged via USB cable
- Color temperature: 4,000 K
- Selectable light intensity via touch switch
- Can be folded and bend to 180° for maximum flexibility



TECHNICAL DATA

Electrical data

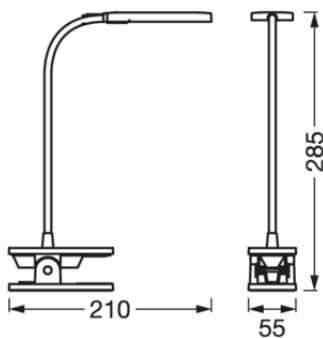
Nominal wattage	5.20 W
Nominal voltage	5 V
Nominal current	1000.000 mA
Protection class	III
Operating mode	Battery

Photometrical data

Luminous flux	80 lm
Luminous efficacy	15 lm/W
Color temperature	4000 K
Light color (designation)	Cool White
Color rendering index Ra	≥90
Standard deviation of color matching	≤6 sdcn
Photobiological safety group acc. to EN62778	RG0
Photobiological safety group acc. to EN62471	RG0
Beam angle	100 °

Dimensions & Weight

Length	210.00 mm
Width	55.00 mm
Height	285.00 mm
Product weight	210.00 g



PGPANAN CLIP SQUARE DIM USB
WTMiPRCmnk

Materials & Colors

Product color	White
Housing color	White
Body material	Acrylonitrile butadiene styrene (ABS)
Cover material	Acrylonitrile butadiene styrene (ABS)
Light emitting surface material	Plastic

Application & Mounting

Ambient temperature range	-10...40 °C
Temperature range at storage	-10...80 °C
Type of connection	Plug type C (EU)
Type of protection	IP20
Dimmable	Yes
Type of dimming	Push DIM
Dimming range	10...100 %
Mounting type	Surface
Mounting location	Table
Application environment	Indoor
Adjustable	Yes
With light source	Yes

Lifespan

Lifespan L70/B50 at 25 °C	15000 h ¹⁾
Number of switching cycles	7000

¹⁾ t[h]: L70 / B50 @ 25 °C (Ta), t[h]: L80 / B10 @ 25 °C (Ta), t[h]: L90 / B10 @ 25 °C (Ta)

BATTERY

Type of Battery	Lithium ion
Battery size [GMS]	18650
Number of included batteries	1
Nominal voltage of battery	3.7 V
Nominal capacity of battery	1200 mAh
Battery charging time	2.5 h

Certificates & Standards

Standards	CE / UKCA
-----------	-----------

Ball shot safe	No
Replaceable light source (EPREL)	Not replaceable





EQUIPMENT / ACCESSORIES

- USB charging cable

Safety advice

- To reduce the risk of strangulation the flexible wiring connected to this luminaire shall be effectively fixed to the wall if the wiring is within arm's reach.
- Battery Warning: Keep out of reach for children. Swallowing can lead to chemical burns, perforation of soft tissue, and death. Severe burns can occur within 2 hours of ingestion. Seek medical attention immediately.
- If the battery compartment (if applicable) does not close securely, stop using the product and keep it away from children. If you think batteries might have been swallowed or placed inside any part of the body, seek immediate medical attention.
- Please avoid: Maximal ambient temperature: +35 °C. Replacement of a battery with an incorrect type that can defeat safeguard (for example, in the case of some lithium battery types). Altitude during operation: 2000 m. Disposal of a battery into fire or a hot oven, or mechanically crushing or cutting of a battery, that can result in an explosion.

DOWNLOAD DATA

	Documents and certificates	Document name
	User instruction / safety instructions	PANAN
	Legal information	LED CLOCK DIM AND PANAN
	Declarations of conformity	PANAN CLIP SQUARE DIM USB
	Declarations of conformity UKCA	LED WORKLIGHT B AND PANAN CLIP

LOGISTICAL DATA

Product code	Packaging unit (Pieces/Unit)	Dimensions (length x width x height)	Gross weight	Volume
4058075747883	Folding box 1	73 mm x 98 mm x 152 mm	240.00 g	1.09 dm ³
4058075747890	Shipping box 40	417 mm x 387 mm x 335 mm	10255.00 g	54.06 dm ³

The mentioned product code describes the smallest quantity unit which can be ordered. One shipping unit can contain one or more single products. When placing an order, for the quantity please enter single or multiples of a shipping unit.

DISCLAIMER

Subject to change without notice. Errors and omission excepted. Always make sure to use the most recent release.