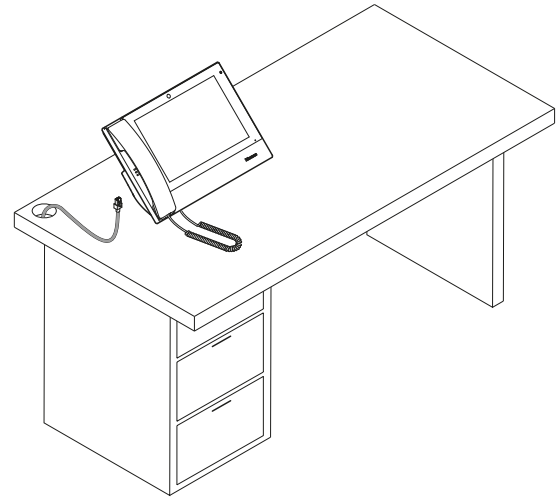
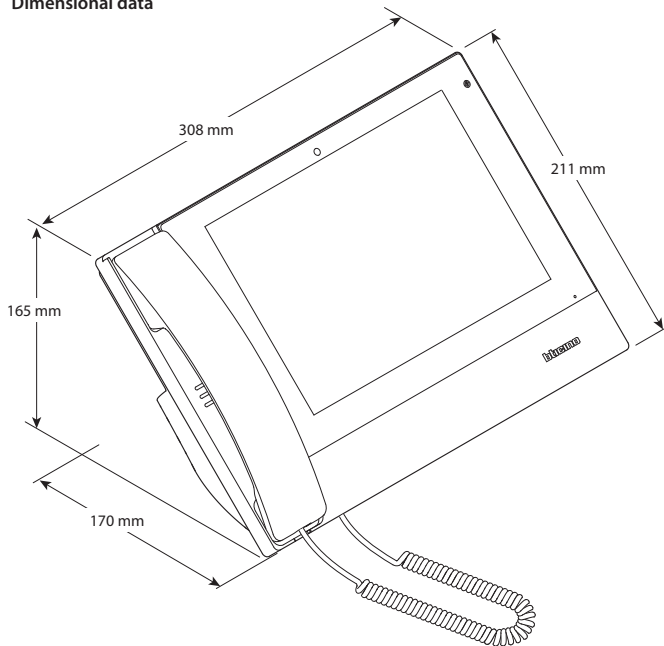
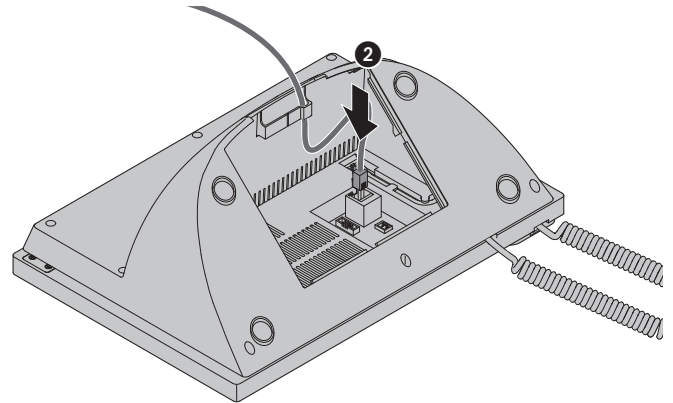
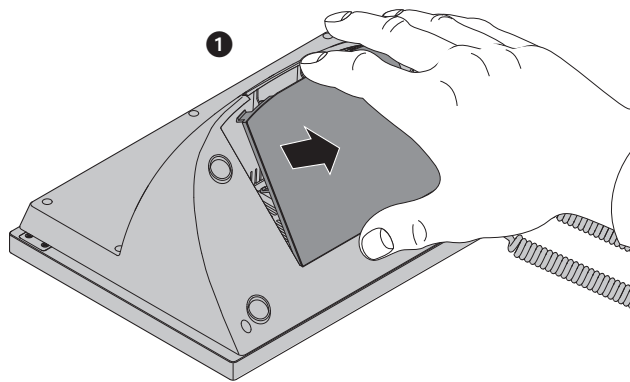


Dimensional data

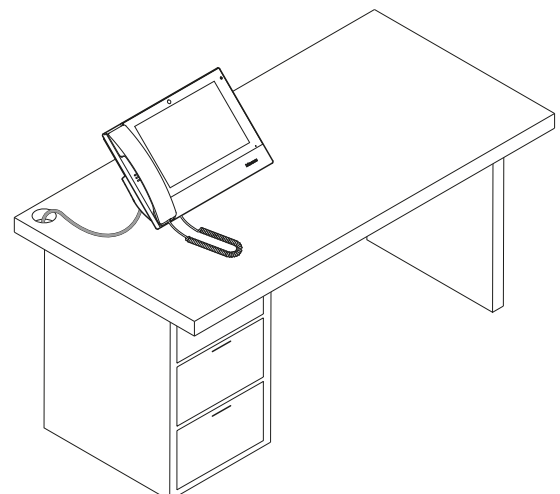
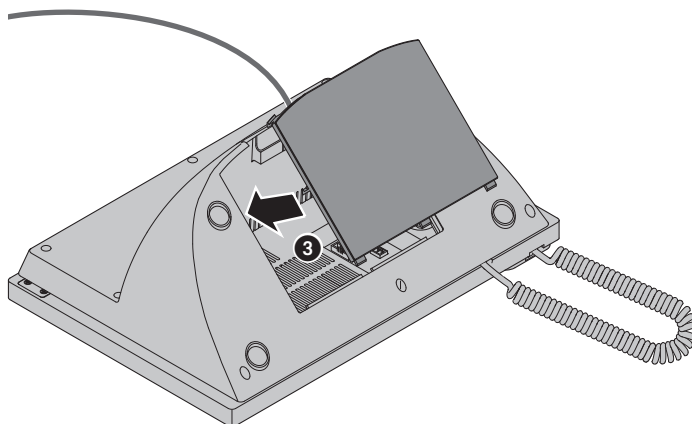


To ensure correct operation, the guard station must be installed indoors, in a position protected from rain and away from heat sources.

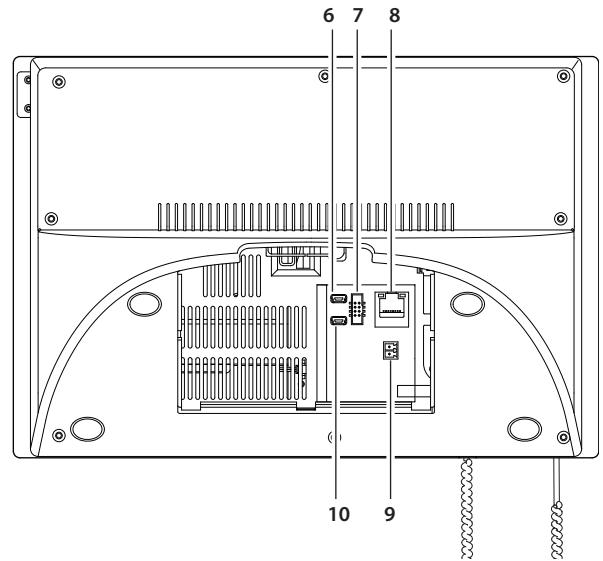
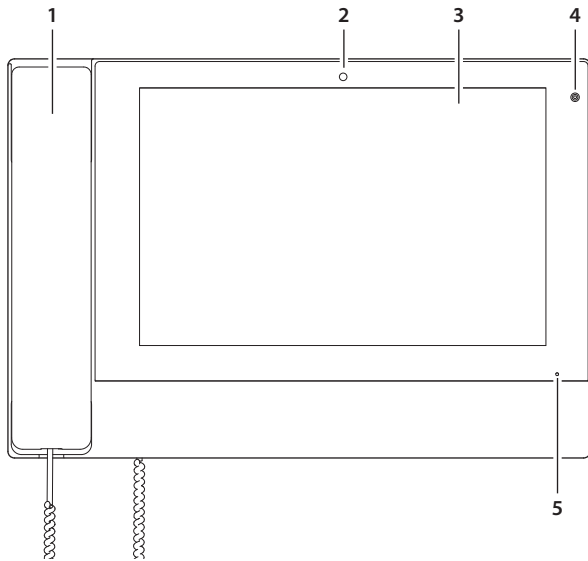
Installation



Place the guard station on a flat surface, making sure not to damage the display.



Front and rear view



- | | |
|-------------------------------|---|
| 1. Handset | 6. USB 1 connector (not used) |
| 2. Camera | 7. Not used |
| 3. Display 10" (touch screen) | 8. RJ45 * connector |
| 4. Microphone | 9. Additional power supply clamps (not polarized) |
| 5. Notification LED | 10. USB 2 connector (not used) |
- Red led: alarm not processed
Blue led: missed call
Purple LED: unprocessed alarm + missed call



* This device does not support standard POE power supplies, but only POE power supplies identified with item no. 375002. Connect the cat5/5e/6 FTP or cat5/5e/6 UTP cable with ferrite supplied to the connector.

Configuration

The device must be configured by software. For software download, installation device documentation and for any other information, refer to the website.



www.homesystems-legrandgroup.com

Voltage	24 Vdc
Technical data	
Max. cable section	1.3 mm ²
Operating temperature	(- 10) – (+ 55) °C
IP degree of protection	IP30
Maximum relative humidity	93%

Warnings and consumer rights



Read carefully before use and keep for future reference

Touching the units with wet hands is forbidden

Using liquid cleaners or aerosols is forbidden

Blocking the ventilation openings is forbidden

Modifying the devices is forbidden



Removing protective parts from the devices is forbidden

Installing the units near liquids and powders is forbidden

Installing the units near heat sources is forbidden

Installing the units near harmful gases, metal dusts or similar is forbidden

Fastening the units on unsuitable surfaces is forbidden



Danger of electrical shock



Risk of devices falling because the surface on which they are installed collapses or inappropriate installation
Switch the power supply OFF before any work on the system

Caution: Installation, configuration, starting-up and maintenance must be performed exclusively by qualified personnel.



Check that the wall installation has been carried out correctly

Lay out the wires respecting the standards in force

Connect the power supply wires as indicated

Use only the items indicated in the technical specifications for any system expansions



Remote operation may cause damage to people or property.