

Heavy-Duty / Flash/Multi-Tone Sounder 442

**Flash/Sounder WM 42 tne 18-30VDC GY/YE**

Part No.: 442.130.55

**MECHANICAL DATA**

|                              |                             |
|------------------------------|-----------------------------|
| Length                       | 211 mm                      |
| Width                        | 168 mm                      |
| Height                       | 155 mm                      |
| Materials                    | PC/ABS                      |
| Dome colour                  | Yellow                      |
| Housing colour               | Grey                        |
| Protection category          | IP66                        |
| Connection                   | Screw terminals             |
| cross-sectional area minimum | 0,25mm <sup>2</sup> / 24AWG |
| cross-sectional area maximum | 1,50mm <sup>2</sup> / 16AWG |
| Cable entry                  | Screwed cable gland         |
| Cable entry minimum          | d = 8 mm                    |
| Cable entry maximum          | d = 12 mm                   |
| Tension relief               | Present (conforms to VDE)   |
| Type of fixing               | Wall mounting               |
| Working temperature minimum  | -25°C                       |
| Working temperature maximum  | +75°C                       |
| Weight with packaging        | 1988 g                      |
| Product weight               | 1773 g                      |

**ELECTRICAL DATA**

|                             |                    |
|-----------------------------|--------------------|
| Operating voltage           | 18-30V             |
| Operating voltage type      | DC                 |
| Operating voltage tolerance | +/- 0%             |
| Rated operational voltage   | 24 VDC             |
| Rated operational current   | 450 mA             |
| Protection class            | Protection class 2 |
| Pollution degree            | 3                  |

**OPTICAL DATA**

|                      |                 |
|----------------------|-----------------|
| Light source         | Xenon           |
| Light colour         | Yellow          |
| Optical signal image | Flash           |
| Flash frequency      | 2 Hz            |
| Flash output         | 3.5 J           |
| Service life optical | 5,000 h minimum |

**ACOUSTIC DATA**

|                             |              |
|-----------------------------|--------------|
| Volume (max) at 1m distance | 120,0 dB (A) |
|-----------------------------|--------------|



For additional installation and mounting information, refer to the appropriate user guide at [www.werma.com](http://www.werma.com). This printed copy is for information only and is subject to alteration.

Heavy-Duty / Flash/Multi-Tone Sounder 442

**Flash/Sounder WM 42 tne 18-30VDC GY/YE**

|                       |                 |
|-----------------------|-----------------|
| Acoustic signal image | Multi-tone      |
| Number of tones       | 42 tone         |
| Acoustic service life | 5,000 h minimum |

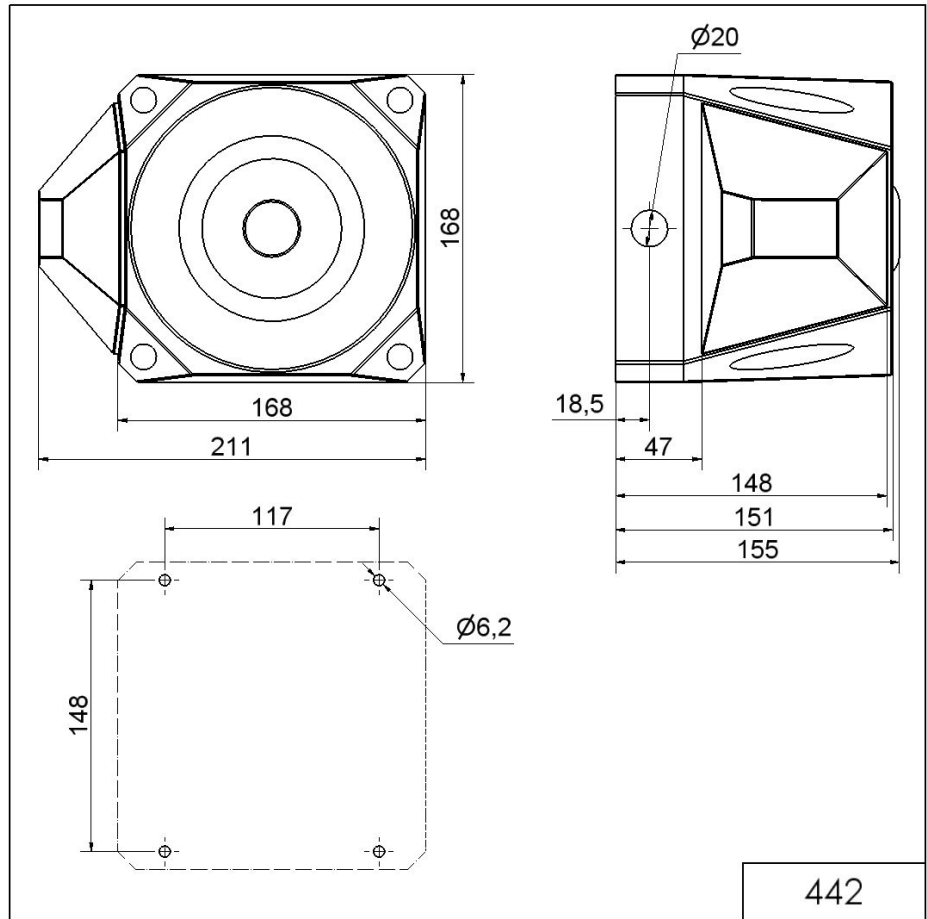
| <b>APPROVAL DATA</b>         |     |
|------------------------------|-----|
| Conforms with CE             | Yes |
| Conforms with RoHS directive | Yes |
| WEEE                         | No  |
| Conforms with ATEX-directive | No  |
| Conforms with CCC            | No  |
| Conforms with UL             | No  |
| Conforms with FCC            | No  |
| Conforms with IC             | No  |
| EAC certificate available    | Yes |
| Conforms with AS-I           | No  |
| ICAO Certification           | No  |
| Conforms with DNV            | No  |
| Conforms with RoHS CN        | No  |
| Conforms with VdS            | No  |

**!** For additional installation and mounting information, refer to the appropriate user guide at [www.werma.com](http://www.werma.com). This printed copy is for information only and is subject to alteration.

Heavy-Duty / Flash/Multi-Tone Sounder 442

**Flash/Sounder WM 42 tne 18-30VDC GY/YE**

**DRAWING**



**!** For additional installation and mounting information, refer to the appropriate user guide at [www.werma.com](http://www.werma.com). This printed copy is for information only and is subject to alteration.