

70460200	DATA SHEET	
Valid from: 17.09.2018	EPIC® H-A 10 TGH	

Description

- These connectors are attractive because of their compact housing.
- Small and space-saving for narrow available space



General characteristics

Series	H-A 10
Version	Hood, high version
Locking	Bolts for single lever
Cable entry	straight
Gland body installed	yes
Protection (DIN EN 60529)	IP 65 (latched)
Schutzart (NEMA 250, UL50E)	4, 12 (latched)
Temperature range	-40°C to +100°C, short-term up to +125°C

Product variations

Article no.	Thread
70460200	PG 16
70460400	PG 21

Materials and surfaces

Housing	Aluminium alloy, powder-coated, grey
Gland body	Brass, nickel-plated
Bolts	Steel, zinc-plated
Gasket	NBR

Approvals

VDE-Approval, VDE-REG.-Nr.	B437
----------------------------	------

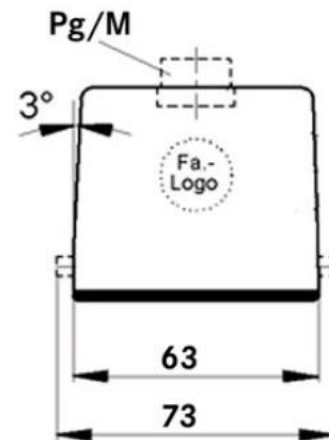
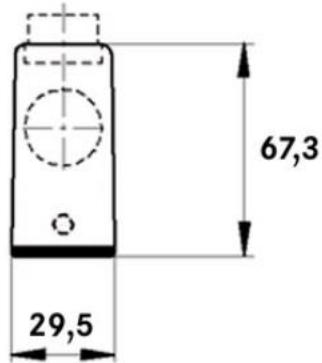
Standards

Safety Standard	IEC 61984
-----------------	-----------

Creator: MANA2/PDP Released: IVSE1/PDP	Document: DB70460200EN Version: 01	Page 1 of 2
---	---------------------------------------	-------------

70460200	DATA SHEET	
Valid from: 17.09.2018	EPIC® H-A 10 TGH	

Drawings



Industrial machinery and plant engineering



Mechanical resistance



Robust



Waterproof

Info

Compact, robust metal housings size H-A 10

Application range

Machine and equipment manufacturing
Control engineering
Electronic laboratory

Remark

Photographs are not to scale and do not represent detailed images of the respective products.

Creator: MANA2/PDP Released: IVSE1/PDP	Document: DB70460200EN Version: 01	Page 2 of 2
---	---------------------------------------	-------------