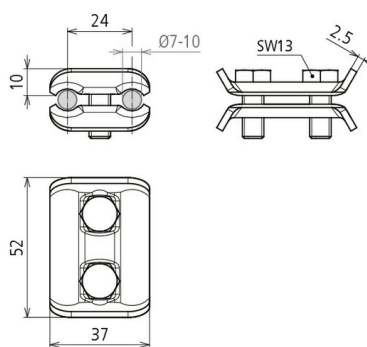


PV 7.10 SKM8X20 STTZN (307 000)



Figure without obligation



Type	PV 7.10 SKM8X20 STTZN
Part No.	307 000
Material of clamp	St/tZn
Clamping range Rd / Rd	7-10 mm
Screw	M8 x 20 mm
Material of screw / nut	St/tZn
Lightning current carrying capability (10/350 µs)	100 kA ^{*)}
Standard	EN 62561-1
Weight	105 g
Customs tariff number	85389099
Mil. Stock No.	5999-12-158-2303
GTIN	4013364024151
PU	50 Stk

^{*)}For exact classification, see test certificate.

We reserve the right to introduce changes in performance, configuration and technology, dimensions, weights and materials in the course of technical progress. The figures are shown without obligation.