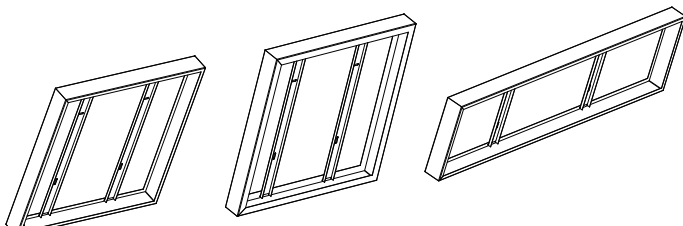
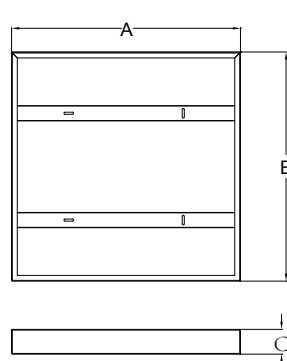


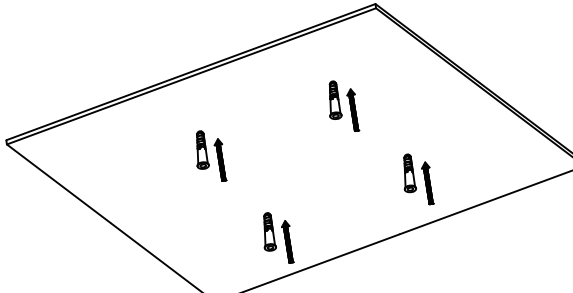
## LED Surface Mounting Module

Item Code	kg
140055484	2.3Kg
140055485	2.9Kg
140055486	2.5Kg

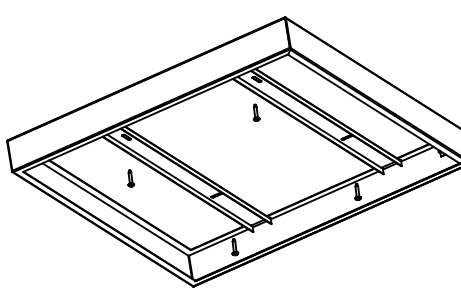



Type	A(mm)	B(mm)	C(mm)
LED PL-RC-SL Sq600-SM-CT	600	600	65
LED PL-RC-SL Sq625-SM-CT	626	626	65
LED PL-RC-SL Sq300-SM-CT	300	1200	65

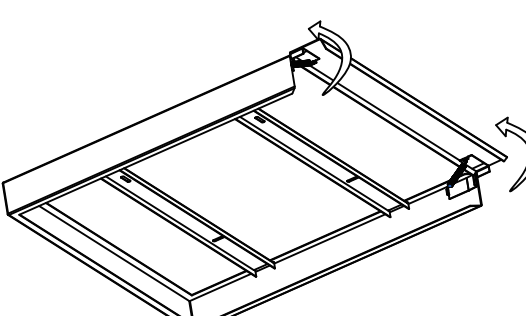
①



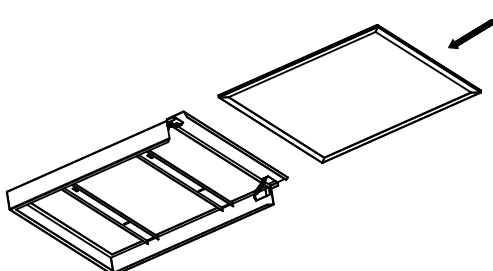
②

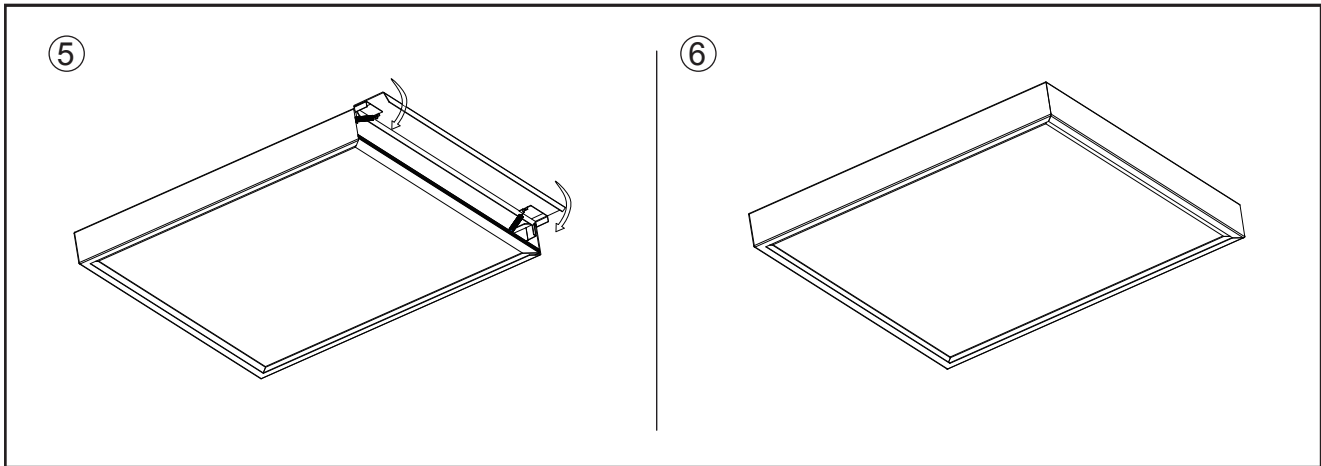


③



④





In case of damage to the wire, it has to be replaced only by the manufacturer, distributor or by an expert, to avoid risks.

Zur Vermeidung von Risiken müssen defekte Leitungen ausschließlich vom Hersteller, Inverkehrbringer oder Fachmann ausgetauscht werden.

