

# Esmi Waterproof MCP w/o iso 58200-950APO Instruction Sheet R10256GB0



## **Schneider Electric Fire & Security Oy**

Sokerilinnantie 11 C  
FI-02600 Espoo, Finland  
Tel: +358 10 446 511  
Website: [www.se.com](http://www.se.com)  
Document number: R10256GB0  
Published: 13.07.2021

© 2021 – Schneider Electric. All Rights Reserved. This information is only to be used as guidance. Subject to changes and errors.

# Contents

<b>1</b>	<b>Esmi Waterproof MCP w/o iso 58200-950APO .....</b>	<b>4</b>
1.1	Features .....	4
1.2	Technical Data .....	4
1.3	Mechanical Construction.....	5
1.4	Operating Principles.....	5
<b>2</b>	<b>Installation .....</b>	<b>6</b>

# 1 Esmi Waterproof MCP w/o iso 58200-950APO

Esmi Waterproof MCP w/o iso 58200-950APO (FFS06723708) has been designed to operate on a loop of intelligent fire detection devices and when activated interrupts the polling cycle for a very fast response. The Waterproof Addressable Manual Call Point is available with an isolator. It is intended for outdoor applications or areas where water ingress or high humidity is a problem.

## 1.1 Features

- Resettable operating element
- Easy access, front reset mechanism
- Ergonomic reset key
- Captive screws for easy installation
- Flashing Poling LED Option
- EN 54-11 Certified
- IP56 rated (with IP67 rated electronics enclosure)

## 1.2 Technical Data

- Supply voltage 17-28V dc
- Current Consumption (max) at 24V dc
- Power Up Surge (1s typical) 1mA
- Quiescent 100µA
- Alarm current (LED On) 4mA
- Operating temperature -30°C to +70°C
- Humidity 0% to 95%RH (no condensation or icing)
- Vibration, impact and shock EN 54-11
- IP Rating IP56 rated (with IP67 rated electronics enclosure)
- Approvals & standards EN 54-11, CPR, BOSEC, ESC, FG, SBSC, VNIPO
- Dimensions: 114 x 114 x 74 mm
- Weight: 325g

### 1.3 Mechanical Construction

The component parts of the Manual Call Point are moulded in a robust fire-retardant polycarbonate. Figure 1 shows the mounting hole dimensions and the available cable entry glands.

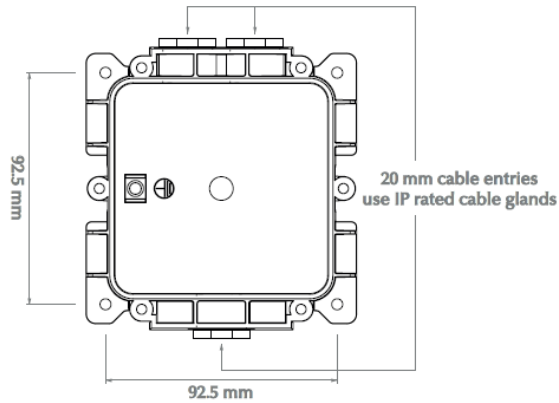


Figure 1.

### 1.4 Operating Principles

The address of each Manual Call Point is set at the commissioning stage by means of a seven-segment DIL switch.

A red alarm LED is provided on the Manual Call Point. This LED is controlled independently of the Manual Call Point, by the fire control panel.

Once activated, the Manual Call Point can be reset by inserting the reset key into the front facing LED, turning clockwise until a positive click and reset occurs.

The isolated version of the Manual Call Point incorporates a short circuit isolator which will ensure its operation in the event of a short circuit fault on the loop. Isolator operation is indicated by a yellow LED.

## 2 Installation

1. Place the earthing plate behind the backbox (see Earth continuity plate section). Fit the backbox to a flat surface using the four fixing holes. The cable entry holes should be in the vertical plane. The backbox can be mounted with either the single or double entry holes at the top. (Fig. 2). *Note: All MCP installation and securing screws have a maximum tightening torque of 0.6Nm.*

*Note: Cable entry from the bottom of the call point is recommended if there is a possibility of moisture condensing within the conduit or cables.*

2. Run the cables from the loop into the backbox and connect them to the terminal block as shown in Fig. 3. Ensure that functional earth/screen continuity is maintained.
3. The Element must be in the ACTIVATED position when either removing or replacing the Front Cover Assembly.

Push the center of the Element (printed with two black arrows and a circle) until the yellow and black striped indicator is visible. Unlock the front cover by inserting the protruding pins of the key into the underside of the manual call point, pull the bottom of the front cover towards you, slide it upward and remove. If required, replace the element, (see Replacing the Element, page 4).

Set the unit address on the DIL switch in accordance with the address table overleaf. Ensure that the O-ring is correctly seated in the channel. Place the cover squarely over the backbox and tighten the 6 fixing screws with the 2.5mm hexagonal key (supplied) to lock the cover. Do not use excessive force, do not over tighten screws.

When reassembling the Front Cover Assembly the two lower clips are located first followed by the two top clips.

The Waterproof Manual Call Point is a 'type A' call point and is suitable for outdoor use.

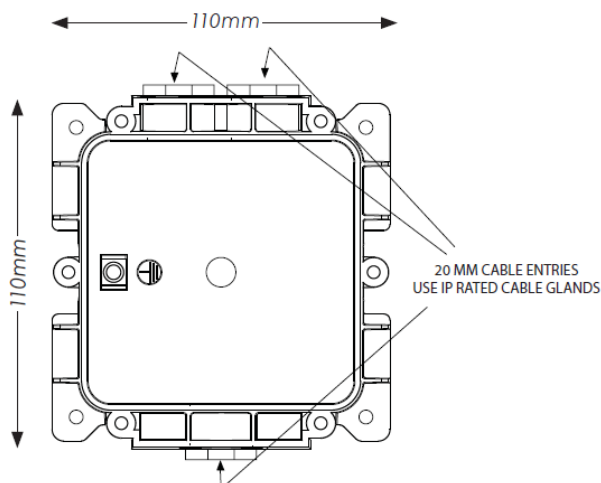


Figure 2.

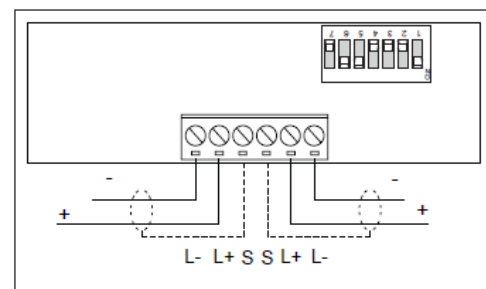


Figure 3.