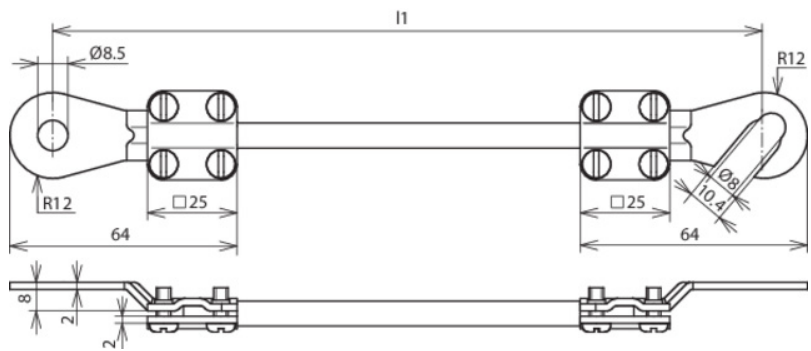


**EL10 L2.05M 1KSO 8.10 1KSG 8 (410 420)**



Figure without obligation



Type	EL10 L2.05M 1KSO 8.10 1KSG 8
Part No.	410 420
Cable cross section	10 mm <sup>2</sup>
Cable length (l1)	2.05 m
Cable lug open	M8 / M10
Cable lug closed	M8
Hole Ø	8.5 mm
Conductor	Cu highly flexible
Single wire diameter	0.1 mm
Operating voltage resistance (AC / DC)	600 V
Temperature range	-40 °C ... +150 °C
Colour	black •
Cable lug material	Cu/gal Sn
Screw	⬆ M4 x 10 mm
Material of screw	St/gal Zn
Weight	320 g
Customs tariff number	85389099
Mil. Stock No.	6150-12-198-1217
GTIN	4013364029132
PU	1 Stk

We reserve the right to introduce changes in performance, configuration and technology, dimensions, weights and materials in the course of technical progress. The figures are shown without obligation.

Packing in accordance with specifications of the VG standards (defence equipment standards) must be explicitly indicated when ordering.