


11283300	<b>DATA SHEET</b>	
Valid from: 26.04.2019	<b>EPIC® H-D 25 SCM / H-D 25 BCM machined</b>	

## Description

- H-D inserts for stamped and machined crimp contacts
- Inserts of the connector series H-D are designed for applications in which a high number of contacts are required.



## General Characteristics

Series	H-D 25
Version	Male/Female(Article 11282300)
Number of Contacts	25+ PE
Termination Methods	Crimp termination: 0.14 - 2.5 mm <sup>2</sup>
Temperature Range	-40°C to +100°C, short-term up to +125°C

## Mechanical Characteristics

Cycle of mechanical operation	100
-------------------------------	-----

## Electrical Characteristics

Rated Voltage, IEC	250 V
Rated Voltage, UL	250 V
Rated Impulse Voltage	2.5 kV
Rated Current, IEC	10 A
Rated Current, UL	10 A
Contact Resistance	< 2 mOhm
Degree of Soiling	3

## Materials and Surfaces

Contacts	Copper alloy, hard silver/gold-plated
Insulating Body	PBT
Flammability Class according to UL 94	V0


## Approvals

UL-Approval, E-File-Number	E75770
VDE-Approval, VDE-REG.-Nr.	B437

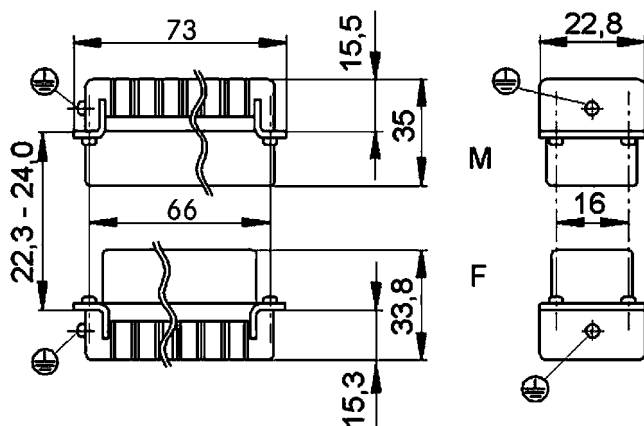
## Standard

Safety Standard	IEC 61984, UL 1977
-----------------	--------------------

Creator: STKU3/PDP Released: IVSE1/PDP	Document: DB11283300EN Version: 02	Page 1 of 2
---	---------------------------------------	-------------

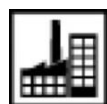
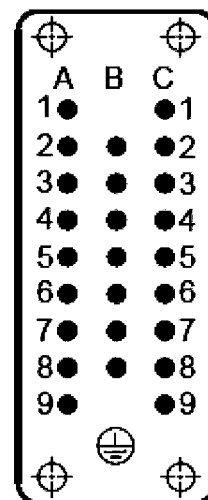
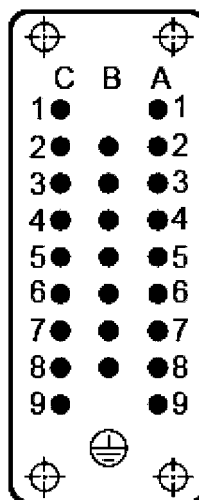
11283300	<b>DATA SHEET</b>	
Valid from: 26.04.2019	<b>EPIC® H-D 25 SCM / H-D 25 BCM machined</b>	

### Technical Drawings



**M**

**F**



Industrial machinery and plant engineering

### Application range

Machine and equipment manufacturing  
Control engineering

### Remark

Photographs are not to scale and do not represent detailed images of the respective products.

Creator: STKU3/PDP Released: IVSE1/PDP	Document: DB11283300EN Version: 02	Page 2 of 2
---	---------------------------------------	-------------