

# NX-series IO-Link Master Unit

# NX-ILM400

CSM\_NX-ILM400\_DS\_E\_1\_5

**IO-Link makes sensor level information visible and solves the three major issues at manufacturing sites!**

**The screwless clamping terminal block reduces wiring work.**



- Downtime can be reduced.  
Notifies you of faulty parts and such phenomena in the Sensor in real time.
- The frequency of sudden failure can be decreased.  
Condition monitoring of sensors and equipment to prevent troubles.
- The efficiency of changeover can be improved.  
The batch check for individual sensor IDs significantly decreases commissioning time.



Corresponding to our shared Value Design for Panel concept for the specifications of products

## Features

- The host controller can cyclically read control signals, status\*1, wiring, and power supply status of IO-Link sensors. Because an IO-Link System can cyclically read analog data such as the amount of incident light in addition to ON/OFF information, it can be used for predictive maintenance based on detection of such things as decreases in the amount of light.
- User-specified data in IO-Link devices can be read and written from the host controller when necessary.
- Digital signals can be input rapidly from IO-Link sensors\*2 during IO-Link communications.
- IO-Link sensors can be combined with non-IO-Link sensors.
- Incorrect connections of IO-Link sensors can be checked when IO-Link communications start.
- Backup and restoration of IO-Link device parameters make replacement of IO-Link sensors easier.
- IO-Link sensors can be easily replaced with non-IO-Link sensors without changing the data address settings.\*3
- Sensors can report their errors to the master, which facilitates locating errors from the host.
- The total number of retries in cyclic communications can be recorded. You can use this value to check for the influences of noise and other problems.  
(When EtherCAT is used as the host communication interface)
- Up to four sensors can be connected.

\*1. Examples for Photoelectric Sensors: Instability detection and sensor errors

\*2. IO-Link sensors that support digital inputs that use pin 2 of IO-Link Master Unit ports

\*3. Bit data of IO-Link sensor can be reflected in the address of the digital input data by using digital input collection.  
This function is supported with the unit version 1.1 or later.

SyMac is a trademark or registered trademark of OMRON Corporation in Japan and other countries for OMRON factory automation products.

EtherCAT® is a registered trademark of Beckhoff Automation GmbH for their patented technology.

EtherNet/IP™ is the trademarks of ODVA.

Other company names and product names in this document are the trademarks or registered trademarks of their respective companies.

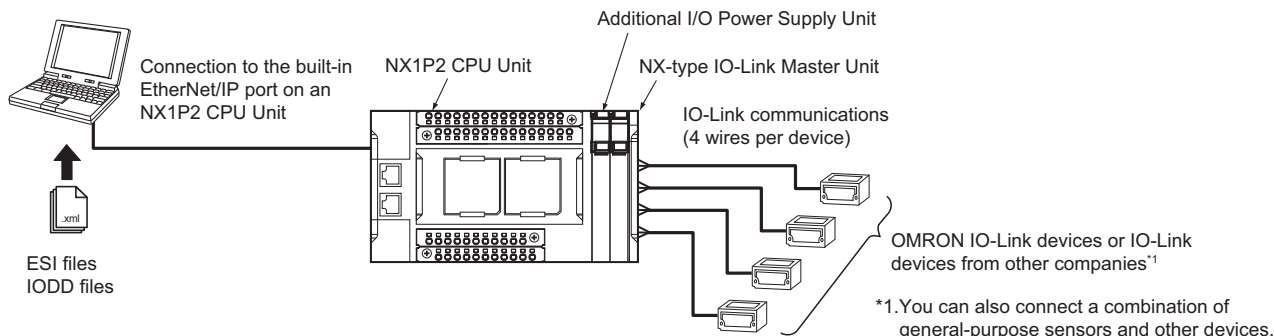
# System Configuration

## Controller Communications with NX Bus

NX bus communications are possible when the controller is an NX1P2 or NX102 CPU Unit. The following is a configuration example when connected to an NX1P2 CPU Unit.

Support Software:

- IO-Link Master Unit settings: Use the Sysmac Studio.
- IO-Link device settings: Use CX-ConfiguratorFDT.



## Applicable Support Software

| Function                    | IO-Link Master Unit type | Applicable Support Software |                              |                                                      |
|-----------------------------|--------------------------|-----------------------------|------------------------------|------------------------------------------------------|
|                             |                          | NX Unit settings            | IO-Link Master Unit settings | Setting and monitoring the connected IO-Link devices |
| Applicable Support Software | NX                       | Sysmac Studio *1            | Sysmac Studio *1             | CX-ConfiguratorFDT *2                                |
|                             | GX                       | Sysmac Studio *1            | Sysmac Studio *1             | CX-ConfiguratorFDT *2                                |

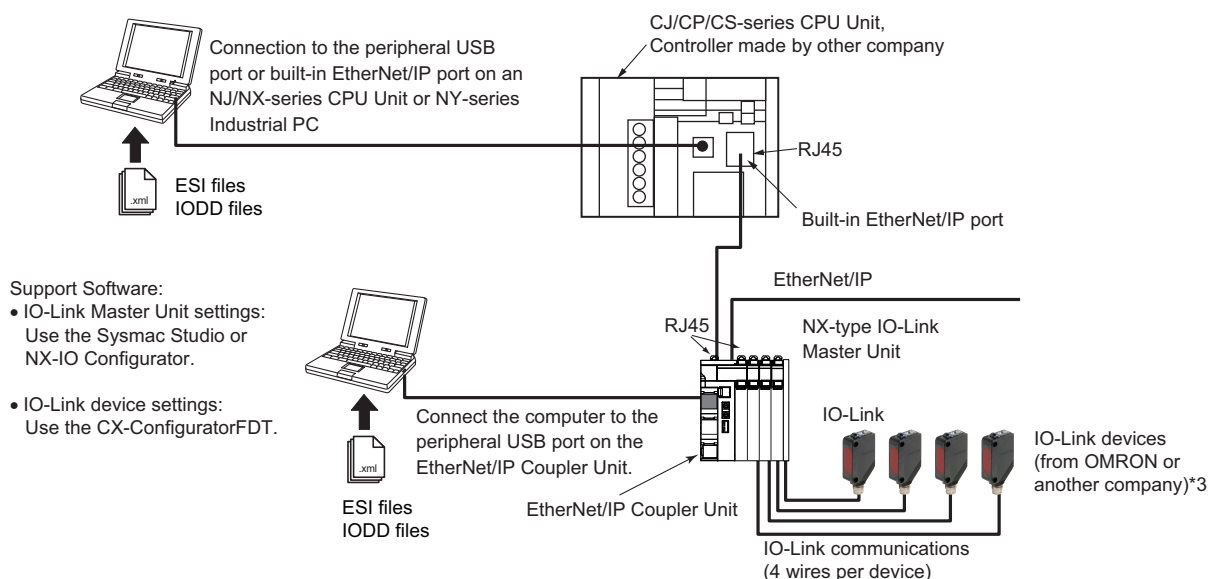
\*1. Sysmac Studio version 1.17 or higher is required.

\*2. CX-ConfiguratorFDT version 2.2 or higher is required.

## Controller Communications with EtherNet/IP

Support Software:

- IO-Link Master Unit settings: Use the Sysmac Studio or NX-IO Configurator.\*1
- IO-Link device settings: Use CX-ConfiguratorFDT.\*2



\*1. When a host controller from another company is used with EtherNet/IP host communications connect the Sysmac Studio or NX-IO Configurator to the EtherNet/IP Coupler Unit, for IO-Link Master Unit settings.

\*2. When a host controller from another company is used with EtherNet/IP host communications connect CX-ConfiguratorFDT to the EtherNet/IP Coupler Unit, for IO-Link device settings.

\*3. You can also connect a combination of general-purpose sensors and other devices.

## Applicable Support Software

| IO-Link Master Unit type | Applicable Support Software                                                                  |                                                                                       |                                            |
|--------------------------|----------------------------------------------------------------------------------------------|---------------------------------------------------------------------------------------|--------------------------------------------|
|                          | Tag data link setting                                                                        | IO-Link Master Unit settings *1                                                       | Setting and monitoring the IO-Link devices |
| NX                       | Use the Network Configurator or the EtherNet/IP software application from the other company. | IO-Link Master Unit Configuration Tool<br>• Sysmac Studio*2<br>• NX-IO Configurator*3 | CX-ConfiguratorFDT                         |

\*1. The IO-Link device connection configuration information settings are included in the IO-Link Master Unit settings.

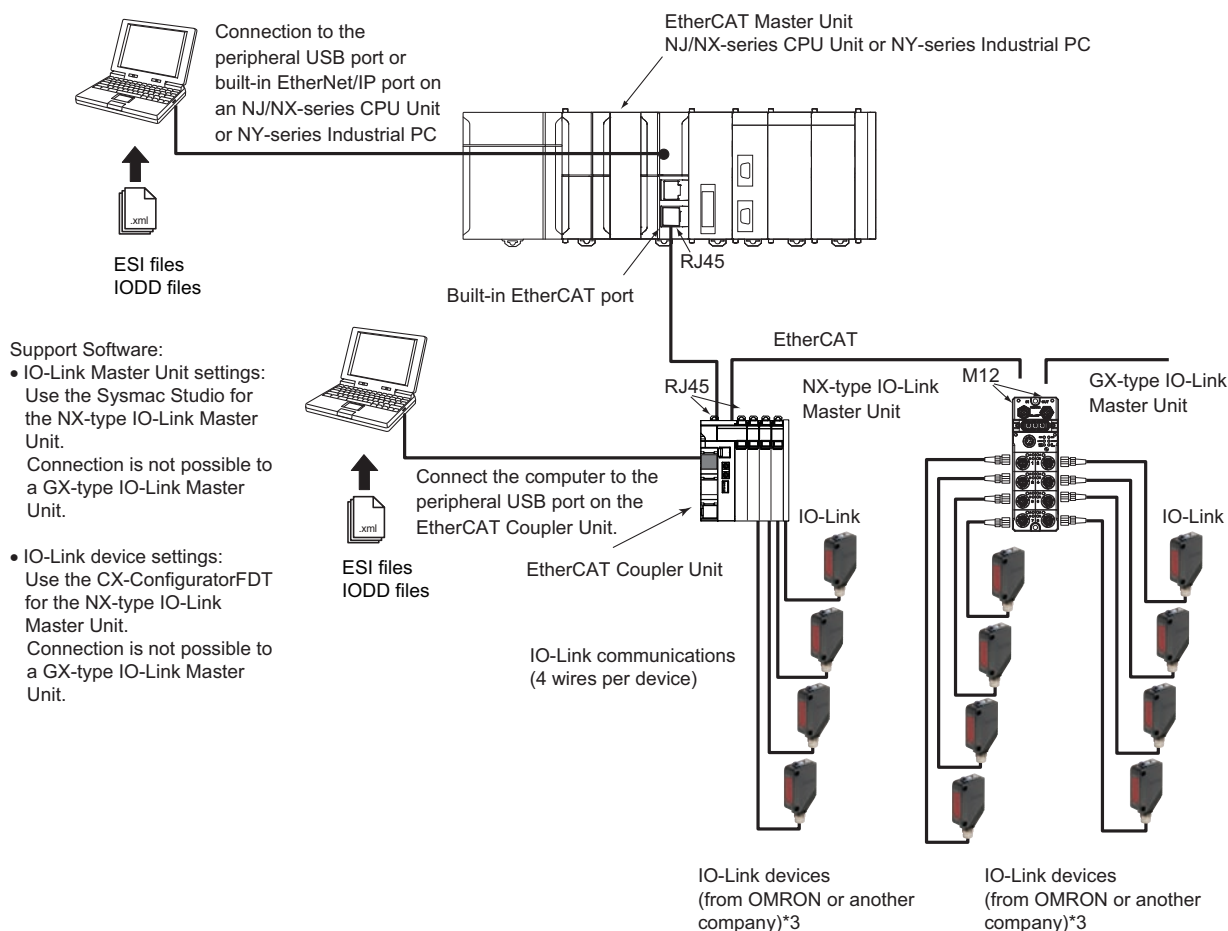
\*2. The settings from the Sysmac Studio are required when you use the Safety Control Unit on the Slave Terminal. The Safety Control Unit is not supported with the NX-IO Configurator.

\*3. The connectable paths of NX-IO Configurator differ depending on the unit version of the EtherNet/IP Coupler Unit.

## Controller Communications with EtherCAT

Support Software:

- IO-Link Master Unit settings: Use the Sysmac Studio.\*1
- IO-Link device settings: Use CX-ConfiguratorFDT.\*2



Support Software:

- IO-Link Master Unit settings: Use the Sysmac Studio for the NX-type IO-Link Master Unit. Connection is not possible to a GX-type IO-Link Master Unit.
- IO-Link device settings: Use the CX-ConfiguratorFDT for the NX-type IO-Link Master Unit. Connection is not possible to a GX-type IO-Link Master Unit.

\*1. When a host controller from another company is used with EtherCAT host communications, use the EtherCAT software application from the other company for a GX-type IO-Link Master Unit.

**Note.** For an NX-type IO-Link Master Unit, connect the Sysmac Studio to the EtherCAT Coupler Unit, as shown above.

\*2. When a host controller from another company is used with EtherCAT host communications, for a GX-type IO-Link Master Unit, make the IO-Link device settings with message communications from the host controller from the other company.

**Note.** For an NX-type IO-Link Master Unit, connect CX-ConfiguratorFDT to the EtherCAT Coupler Unit, as shown above.

\*3. You can also connect a combination of general-purpose sensors and other devices.

## Applicable Support Software

| IO-Link Master Unit type | Applicable Support Software                                  |                                                                                          |                                               |
|--------------------------|--------------------------------------------------------------|------------------------------------------------------------------------------------------|-----------------------------------------------|
|                          | PDO allocation settings (GX)<br>I/O allocation settings (NX) | IO-Link Master Unit settings<br>(IO-Link device connection<br>configuration settings) *1 | Setting and monitoring the IO-Link<br>devices |
| NX                       | Sysmac Studio *1                                             | Sysmac Studio *1                                                                         | CX-ConfiguratorFDT *2                         |
| GX                       | Sysmac Studio *1                                             | Sysmac Studio *1                                                                         | CX-ConfiguratorFDT *2                         |

\*1. The device configuration settings are included in the IO-Link Master Unit settings.

\*2. CX-ConfiguratorFDT version 2.2 or higher is required.

## Ordering Information

### Applicable standards

Refer to the OMRON website (www.ia.omron.com) or ask your OMRON representative for the most recent applicable standards for each model.

## NX-series IO-Link Master Unit

| Product name                  | Specification           |                       |                                   | Model     |
|-------------------------------|-------------------------|-----------------------|-----------------------------------|-----------|
|                               | Number of IO-Link ports | I/O refreshing method | I/O connection terminals          |           |
| NX-series IO-Link Master Unit | 4                       | Free-Run refreshing   | Screwless clamping terminal block | NX-ILM400 |

## Peripheral Devices

### Sensor I/O Connectors

Order a cable with a connector on one end to connect a sensor of connector type. Refer to the *Ordering Information* in the catalog of the sensor to connect or the *Sensor I/O Connectors/Sensor Controllers* on your local OMRON website for recommended products.

## Optional Products

| Product name                    | Specification                                                  | Model    |
|---------------------------------|----------------------------------------------------------------|----------|
| Unit/Terminal Block Coding Pins | Pins for 10 Units<br>(30 terminal block pins and 30 Unit pins) | NX-AUX02 |

| Product name   | Specification    |                             |                      |                           | Model     |
|----------------|------------------|-----------------------------|----------------------|---------------------------|-----------|
|                | No. of terminals | Terminal number indications | Ground terminal mark | Terminal current capacity |           |
| Terminal Block | 16               | A/B                         | Not provided         | 10 A                      | NX-TBA162 |

## Software

### Automation Software Sysmac Studio

Please purchase a DVD and required number of licenses the first time you purchase the Sysmac Studio. DVDs and licenses are available individually. Each model of licenses does not include any DVD.

| Product name                            | Specification                                                                                                                                                                                                                                               | Specification       |                            | Model            |
|-----------------------------------------|-------------------------------------------------------------------------------------------------------------------------------------------------------------------------------------------------------------------------------------------------------------|---------------------|----------------------------|------------------|
|                                         |                                                                                                                                                                                                                                                             | Number of licenses  | Media                      |                  |
| Sysmac Studio Standard Edition Ver.1.□□ | The Sysmac Studio is the software that provides an integrated environment for setting, programming, debugging and maintenance of machine automation controllers including the NJ/NX-series CPU Units, NY-series Industrial PC, EtherCAT Slave, and the HMI. | ---<br>(Media only) | Sysmac Studio (32-bit) DVD | SYSMAC-SE200D    |
|                                         | Sysmac Studio runs on the following OS. *1<br>Windows 7(32-bit/64-bit version)/Windows 8.1(32-bit/64-bit version)/Windows 10(32-bit/64-bit version)/Windows 11(64-bit version)                                                                              | ---<br>(Media only) | Sysmac Studio (64-bit) DVD | SYSMAC-SE200D-64 |
|                                         | The Sysmac Studio Standard Edition DVD includes CX-ConfiguratorFDT to set up IO-Link Master Units and IO-Link devices.<br>Refer to your OMRON website for details.                                                                                          | 1 license *2        | ---                        | SYSMAC-SE201L    |

\*1. Model "SYSMAC-SE200D-64" runs on Windows 10 (64 bit) or higher.

\*2. Multi licenses are available for the Sysmac Studio (3, 10, 30, or 50 licenses).

## General Specification

| Item                          |                                                                                           | Specification                                                                                                                                                                                                   |
|-------------------------------|-------------------------------------------------------------------------------------------|-----------------------------------------------------------------------------------------------------------------------------------------------------------------------------------------------------------------|
| <b>Enclosure</b>              |                                                                                           | Must be built into a panel.                                                                                                                                                                                     |
| <b>Grounding methods</b>      |                                                                                           | Ground to 100 $\Omega$ or less.                                                                                                                                                                                 |
| <b>Operating environment</b>  | <b>Ambient operating temperature</b>                                                      | 0 to 55°C                                                                                                                                                                                                       |
|                               | <b>Ambient operating humidity</b>                                                         | 10% to 95% (with no condensation or icing)                                                                                                                                                                      |
|                               | <b>Atmosphere</b>                                                                         | Must be free from corrosive gases.                                                                                                                                                                              |
|                               | <b>Ambient storage temperature</b>                                                        | -25 to 70°C (with no condensation or icing)                                                                                                                                                                     |
|                               | <b>Altitude</b>                                                                           | 2,000 m max.                                                                                                                                                                                                    |
|                               | <b>Pollution degree</b>                                                                   | Pollution degree 2 or less: Meets IEC 61010-2-201.                                                                                                                                                              |
|                               | <b>Noise immunity</b>                                                                     | Conforms to IEC 61000-4-4, 2 kV (power line).                                                                                                                                                                   |
|                               | <b>Overvoltage category</b>                                                               | Category: Meets IEC 61010-2-201.                                                                                                                                                                                |
|                               | <b>EMC immunity level</b>                                                                 | Zone B                                                                                                                                                                                                          |
|                               | <b>Vibration resistance</b>                                                               | Conforms to IEC 60068-2-6.<br>5 to 8.4 Hz with amplitude of 3.5 mm,<br>8.4 to 150 Hz, acceleration of 9.8 m/s <sup>2</sup><br>100 min each in X, Y, and Z directions (10 sweeps of 10 min each = 100 min total) |
| <b>Shock resistance</b>       | Conforms to IEC 60068-2-27. 147 m/s <sup>2</sup> , 3 times each in X, Y, and Z directions |                                                                                                                                                                                                                 |
| <b>Applicable standards *</b> |                                                                                           | UL 61010-2-201, ANSI/ISA 12.12.01, EU: EN 61131-2, NK, LR, RCM, KC, and IO-Link conformance                                                                                                                     |

\* Refer to the OMRON website ([www.ia.omron.com](http://www.ia.omron.com)) or ask your OMRON representative for the most recent applicable standards for each model.

## Unit Specification

| Item                                                      | Specification                                                                                                                                                 |                                                                                                                                                            |
|-----------------------------------------------------------|---------------------------------------------------------------------------------------------------------------------------------------------------------------|------------------------------------------------------------------------------------------------------------------------------------------------------------|
| Unit name                                                 | IO-Link Master Unit                                                                                                                                           |                                                                                                                                                            |
| Model                                                     | NX-ILM400                                                                                                                                                     |                                                                                                                                                            |
| Number of ports                                           | 4                                                                                                                                                             |                                                                                                                                                            |
| Communications specifications                             | Communications protocol                                                                                                                                       | IO-Link protocol                                                                                                                                           |
|                                                           | Baud rate                                                                                                                                                     | COM1: 4.8kbps<br>COM2: 38.4kbps<br>COM3: 230.4kbps                                                                                                         |
|                                                           | Topology                                                                                                                                                      | 1:1                                                                                                                                                        |
|                                                           | Compliant standards                                                                                                                                           | <ul style="list-style-type: none"> <li>IO-Link Interface and System Specification Version1.1.2</li> <li>IO-Link Test Specification Version1.1.2</li> </ul> |
| Power supply to devices* in IO-Link Mode or SIO (DI) Mode | Rated voltage                                                                                                                                                 | 24 VDC (20.4 to 28.8 VDC)                                                                                                                                  |
|                                                           | Maximum load current                                                                                                                                          | 0.2 A/port                                                                                                                                                 |
|                                                           | Short-circuit protection                                                                                                                                      | Provided.                                                                                                                                                  |
| Digital inputs (in SIO (DI) Mode)                         | Internal I/O common                                                                                                                                           | PNP                                                                                                                                                        |
|                                                           | Rated voltage                                                                                                                                                 | 24 VDC (20.4 to 28.8 VDC)                                                                                                                                  |
|                                                           | Input current                                                                                                                                                 | 5 mA typical (24 VDC)                                                                                                                                      |
|                                                           | ON voltage/ON current                                                                                                                                         | 15 VDC min., 2 mA min.                                                                                                                                     |
|                                                           | OFF voltage                                                                                                                                                   | 5 VDC max.                                                                                                                                                 |
|                                                           | Input filter time                                                                                                                                             | No filter, 0.25 ms, 0.5 ms, 1 ms (default), 2 ms, 4 ms, 8 ms, 16 ms, 32 ms, 64 ms, 128 ms, 256 ms                                                          |
| Digital outputs (in SIO (DO) Mode)                        | Internal I/O common                                                                                                                                           | PNP                                                                                                                                                        |
|                                                           | Output type                                                                                                                                                   | Push-pull                                                                                                                                                  |
|                                                           | Rated voltage                                                                                                                                                 | 24 VDC (20.4 to 28.8 VDC)                                                                                                                                  |
|                                                           | Maximum load current                                                                                                                                          | 0.1 A/port                                                                                                                                                 |
|                                                           | Short-circuit protection                                                                                                                                      | Provided.                                                                                                                                                  |
|                                                           | Leakage current                                                                                                                                               | 0.1 mA max.                                                                                                                                                |
|                                                           | Residual voltage                                                                                                                                              | 1.5 V max.                                                                                                                                                 |
| Digital inputs for pin 2 (in IO-Link Mode)                | Internal I/O common                                                                                                                                           | PNP                                                                                                                                                        |
|                                                           | Rated voltage                                                                                                                                                 | 24 VDC (20.4 to 28.8 VDC)                                                                                                                                  |
|                                                           | Input current                                                                                                                                                 | 2 mA typical (24 VDC)                                                                                                                                      |
|                                                           | ON voltage/ON current                                                                                                                                         | 15 VDC min., 2 mA min.                                                                                                                                     |
|                                                           | OFF voltage                                                                                                                                                   | 5 VDC max.                                                                                                                                                 |
|                                                           | Input filter time                                                                                                                                             | No filter, 0.25 ms, 0.5 ms, 1 ms (default), 2 ms, 4 ms, 8 ms, 16 ms, 32 ms, 64 ms, 128 ms, 256 ms                                                          |
| Cable specifications                                      | Cable type                                                                                                                                                    | Unshielded                                                                                                                                                 |
|                                                           | Length                                                                                                                                                        | 20 m max.                                                                                                                                                  |
|                                                           | Electrostatic capacity between lines                                                                                                                          | 3 nF max.                                                                                                                                                  |
|                                                           | Loop resistance                                                                                                                                               | 6 Ω max.                                                                                                                                                   |
| External connection terminals                             | Screwless Clamping Terminal Block (16 terminals)                                                                                                              |                                                                                                                                                            |
| I/O refreshing method                                     | Free-Run refreshing                                                                                                                                           |                                                                                                                                                            |
| Dimensions                                                | 12 × 100 × 71 mm (W×H×D)                                                                                                                                      |                                                                                                                                                            |
| Isolation method                                          | Photocoupler isolation                                                                                                                                        |                                                                                                                                                            |
| Insulation resistance                                     | 20 MΩ min. at 100 VDC (between isolated circuits)                                                                                                             |                                                                                                                                                            |
| Dielectric strength                                       | 510 VAC for 1 min, leakage current: 5 mA max. (between isolated circuits)                                                                                     |                                                                                                                                                            |
| I/O power supply method                                   | Supply from the NX bus                                                                                                                                        |                                                                                                                                                            |
| NX Unit power consumption                                 | <ul style="list-style-type: none"> <li>Connected to a CPU Unit<br/>1.05 W max.</li> <li>Connected to a Communications Coupler Unit<br/>0.80 W max.</li> </ul> |                                                                                                                                                            |
| Current consumption from I/O power supply                 | 50 mA                                                                                                                                                         |                                                                                                                                                            |
| Weight                                                    | 67 g                                                                                                                                                          |                                                                                                                                                            |

| Item                                                    | Specification                                                                                                                                                                                                                                                                                                                                                                                                                                                                                                                                                                                                                       |
|---------------------------------------------------------|-------------------------------------------------------------------------------------------------------------------------------------------------------------------------------------------------------------------------------------------------------------------------------------------------------------------------------------------------------------------------------------------------------------------------------------------------------------------------------------------------------------------------------------------------------------------------------------------------------------------------------------|
| <p><b>Circuit configuration</b></p>                     |                                                                                                                                                                                                                                                                                                                                                                                                                                                                                                                                                                                                                                     |
| <p><b>Terminal connection diagram</b></p>               |                                                                                                                                                                                                                                                                                                                                                                                                                                                                                                                                                                                                                                     |
| <p><b>Installation orientation and restrictions</b></p> | <ul style="list-style-type: none"> <li>• Connected to a CPU Unit<br/>The Unit can be in the upright installation orientation.<br/>Upright Installation</li> </ul> <ul style="list-style-type: none"> <li>• Connected to a Communications Coupler Unit<br/>The Unit can be installed in any of six possible orientations. There are restrictions on mounting orientations other than upright.</li> </ul> <div style="display: flex; justify-content: space-around;"> <div style="text-align: center;"> <p>Upright Installation</p> </div> <div style="text-align: center;"> <p>Any Installation Other Than Upright</p> </div> </div> |
| <p><b>Protective functions</b></p>                      | <p>L+ terminal short-circuit protection<br/>C/Q terminal short-circuit protection</p>                                                                                                                                                                                                                                                                                                                                                                                                                                                                                                                                               |

## Function Specifications

| Function                                                        |                        | Description                                                                                                                                                                                                                                                                                                                                                                                                                                                                                                                                                                                                                         |
|-----------------------------------------------------------------|------------------------|-------------------------------------------------------------------------------------------------------------------------------------------------------------------------------------------------------------------------------------------------------------------------------------------------------------------------------------------------------------------------------------------------------------------------------------------------------------------------------------------------------------------------------------------------------------------------------------------------------------------------------------|
| Communications                                                  | Cyclic communications  | I/O data (process data) in the IO-Link devices is cyclically exchanged with the IO-Link Master Unit as the IO-Link communications master. At the same time, this data and the status of the IO-Link Master Unit is cyclically exchanged with the controller, with the IO-Link Master Unit operating as a slave of the controller.<br>Cyclic communications can be used to check the amount of detection performance deterioration in devices, and to check changes in usage conditions, such as the amount of incident light for photoelectric sensors, stability detection margins, and excessive proximity for proximity sensors. |
|                                                                 | Message communications | The controller can send messages (commands) to the IO-Link Master Unit and receive the response from the IO-Link Master Unit. The IO-Link Master Unit can also function as a gateway to send messages (commands and responses) between the controller and the IO-Link devices. During operation, you can change and adjust device parameters, such as threshold settings, tuning execution, and ON-delay time changes, from a program. Or, during operation, you can check the internal status, such as the operating times of devices.                                                                                             |
| Communications mode settings                                    |                        | You can select any of the following modes for each port:<br>IO-Link Mode, SIO (DI) Mode, SIO (DO) Mode, and Disable Port<br>This allows you to combine IO-Link communications and digital I/O in a single unit.                                                                                                                                                                                                                                                                                                                                                                                                                     |
| Digital inputs for pin 2                                        |                        | In IO-Link Mode, you can perform digital input with pin 2 while performing IO-Link communications.                                                                                                                                                                                                                                                                                                                                                                                                                                                                                                                                  |
| Automatic baud rate setting for IO-Link communications          |                        | The IO-Link Master Unit automatically matches the specific baud rates (COM1, COM2, or COM3) of the IO-Link devices to communicate with the IO-Link devices.<br>Therefore, it is not necessary to set the baud rate of the connected device for each port.                                                                                                                                                                                                                                                                                                                                                                           |
| Connected device verification                                   |                        | This function is used to verify the configuration of IO-Link devices that are connected to the IO-Link Master Unit against the registered IO-Link device configuration settings when the power supply is turned ON.<br>The user can enable or disable connected device verification.                                                                                                                                                                                                                                                                                                                                                |
| IO-Link communications error detection                          |                        | This function detects I/O cable breaks, disconnections from IO-Link device ports, error-level device events, device configuration verification errors, and IO-Link device malfunctions.                                                                                                                                                                                                                                                                                                                                                                                                                                             |
| Detection of short-circuits in I/O cables                       |                        | This function detects short-circuits in I/O cables                                                                                                                                                                                                                                                                                                                                                                                                                                                                                                                                                                                  |
| Notification of input data validity                             |                        | The controller can use the Input Data Enabled Flags to determine whether the process input data for IO-Link communications is valid.                                                                                                                                                                                                                                                                                                                                                                                                                                                                                                |
| Load rejection for controller communications error              |                        | This function turns OFF outputs from the IO-Link Master Unit when a communications error occurs in communications with the controller in IO-Link Mode or in an SIO mode.<br>This prevents incorrect output operations when communications error occurs.                                                                                                                                                                                                                                                                                                                                                                             |
| IO-Link total communications lost frames                        |                        | The IO-Link total communications lost frames can be read from the CX-ConfiguratorFDT.<br>You can use this function to determine communications status as affected by I/O cable noise or other factors.                                                                                                                                                                                                                                                                                                                                                                                                                              |
| Digital input filter                                            |                        | This function is used to eliminate chattering and noise of the input signal for digital inputs in SIO(DI) Mode or for digital inputs for pin 2 in IO-Link Mode. It prevents data change and stabilizes the input signal even in situations where the input data changes due to chattering or noise and the bit status is unstable.                                                                                                                                                                                                                                                                                                  |
| Digital input collection *                                      |                        | In IO-Link Mode, this function reflects the specified bit data in the input data from the IO-Link device on the digital input data of the IO-Link Master Unit. As a result, the bit data in the input data from the IO-Link device can be aggregated into the digital input data of the IO-Link Master Unit. One bit for each IO-Link port can be aggregated. This function cannot be used in SIO (DI) Mode and SIO (DO) Mode.<br>If you use this function, digital inputs with pin 2 cannot be used.                                                                                                                               |
| Backup and restoration of parameter settings in IO-Link devices |                        | This function is used to back up parameter settings in IO-Link devices in the IO-Link Master Unit or restore them to IO-Link devices.<br>This eliminates the need to set parameters again after replacing an IO-Link device.                                                                                                                                                                                                                                                                                                                                                                                                        |
| Event log                                                       |                        | This function records events, such as errors and status changes, that occur in the IO-Link Master Unit and the IO-Link devices.<br>This enables partial troubleshooting for NJ/NX-series Controllers and NY-series Industrial PCs.                                                                                                                                                                                                                                                                                                                                                                                                  |

\* This function is supported with the unit version 1.1 or later.

## Version Information

### Connecting with CPU Units

Refer to the user's manual for the CPU Unit for the CPU Unit to which NX Units can be connected.

| NX Unit   |              | Corresponding versions * |                    |                    |
|-----------|--------------|--------------------------|--------------------|--------------------|
| Model     | Unit version | CPU Unit                 | Sysmac Studio      | CX-ConfiguratorFDT |
| NX-ILM400 | Ver.1.1      | Ver1.13 or later         | Ver1.20 or higher  | Ver2.3 or higher   |
|           | Ver.1.0      | Ver.1.13 or later        | Ver.1.17 or higher | Ver.2.3 or higher  |

**Note:** Some Units do not have all of the versions given in the above table. If a Unit does not have the specified version, support is provided by the oldest available version after the specified version.

Refer to the user's manuals for the specific Units for the relation between models and versions.

### Connecting with an EtherCAT Coupler Unit

| NX Unit   |              | Corresponding version |                             |               |                    |
|-----------|--------------|-----------------------|-----------------------------|---------------|--------------------|
| Model     | Unit version | EtherCAT Coupler Unit | CPU Units or Industrial PCs | Sysmac Studio | CX-ConfiguratorFDT |
| NX-ILM400 | Ver.1.1      | Ver.1.0               | Ver.1.12                    | Ver.1.20      | Ver.2.2            |
|           | Ver.1.0      |                       |                             | Ver.1.16      |                    |

**Note:** Some Units do not have all of the versions given in the above table. If a Unit does not have the specified version, support is provided by the oldest available version after the specified version.

Refer to the user's manuals for the specific Units for the relation between models and versions.

### Connecting with an EtherNet/IP Coupler Unit

| NX Unit   |              | Corresponding version *1 |                             |               |                    |
|-----------|--------------|--------------------------|-----------------------------|---------------|--------------------|
| Model     | Unit version | EtherNet/IP Coupler Unit | CPU Units or Industrial PCs | Sysmac Studio | CX-ConfiguratorFDT |
| NX-ILM400 | Ver.1.1      | Ver.1.2                  | Ver.1.14                    | Ver.1.20      | Ver.2.4 *2         |
|           | Ver.1.0      |                          |                             | Ver.1.19      |                    |

**Note:** Some Units do not have all of the versions given in the above table. If a Unit does not have the specified version, support is provided by the oldest available version after the specified version.

Refer to the user's manuals for the specific Units for the relation between models and versions.

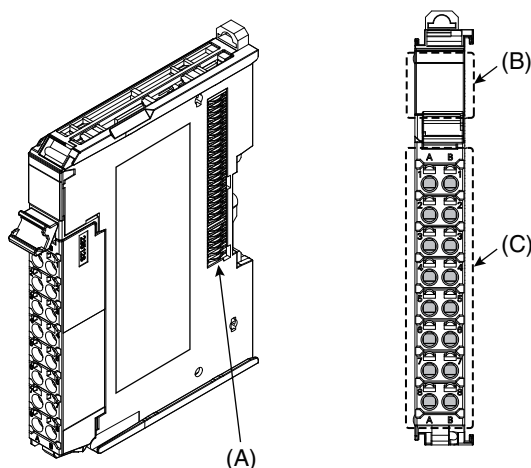
\*1. Refer to the user's manual of the EtherNet/IP Coupler Unit for the unit versions of EtherNet/IP Units corresponding to EtherNet/IP Coupler Units.

\*2. The CX-ConfiguratorFDT with version 2.2 or higher can be used if it is connected to the peripheral USB port on the EtherNet/IP Coupler Unit.



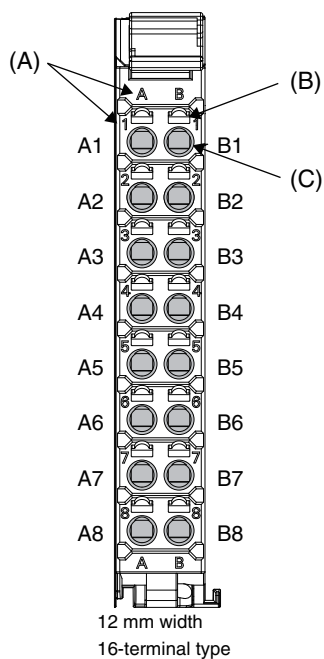
## External Interface

### NXILM-400



| Letter | Name             | Function                                                                                                     |
|--------|------------------|--------------------------------------------------------------------------------------------------------------|
| (A)    | NX bus connector | This connector is used to connect each Unit.                                                                 |
| (B)    | Indicators       | The indicators show the current operating status of the Unit.                                                |
| (C)    | Terminal block   | The terminal block is used to connect external devices. The number of terminals depends on the type of Unit. |

### Terminal Blocks



| Letter | Name                        | Function                                                                                                                                                                                                                                                                                           |
|--------|-----------------------------|----------------------------------------------------------------------------------------------------------------------------------------------------------------------------------------------------------------------------------------------------------------------------------------------------|
| (A)    | Terminal number indications | Terminal numbers for which A and B indicate the column, and 1 to 8 indicate the line are displayed. The terminal number is a combination of column and line, i.e. A1 to A8 and B1 to B8. The terminal number indications are the same regardless of the number of terminals on the terminal block. |
| (B)    | Release holes               | Insert a flat-blade screwdriver into these holes to connect and remove the wires.                                                                                                                                                                                                                  |
| (C)    | Terminal holes              | The wires are inserted into these holes.                                                                                                                                                                                                                                                           |

### Applicable Terminal Blocks for Each Unit Model

| Unit model | Terminal Blocks |                  |                             |                      |                           |
|------------|-----------------|------------------|-----------------------------|----------------------|---------------------------|
|            | Model           | No. of terminals | Terminal number indications | Ground terminal mark | Terminal current capacity |
| NX-ILM400  | NX-TBA162       | 16               | A/B                         | Not provided         | 10A                       |

## Applicable Wires

### Using Ferrules

If you use ferrules, attach the twisted wires to them.

Observe the application instructions for your ferrules for the wire stripping length when attaching ferrules.

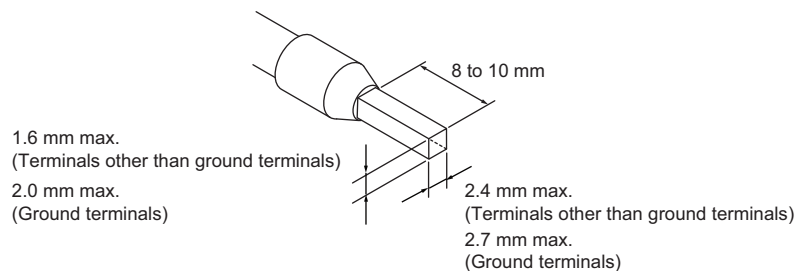
Always use plated one-pin ferrules. Do not use unplated ferrules or two-pin ferrules.

The applicable ferrules, wires, and crimping tool are given in the following table.

| Terminal types                        | Manufacturer    | Ferrule model | Applicable wire (mm <sup>2</sup> (AWG)) | Crimping tool                                                                                                                     |
|---------------------------------------|-----------------|---------------|-----------------------------------------|-----------------------------------------------------------------------------------------------------------------------------------|
| Terminals other than ground terminals | Phoenix Contact | AI0,34-8      | 0.34 (#22)                              | Phoenix Contact (The figure in parentheses is the applicable wire size.)<br>CRIMPFOX 6 (0.25 to 6 mm <sup>2</sup> , AWG 24 to 10) |
|                                       |                 | AI0,5-8       | 0.5 (#20)                               |                                                                                                                                   |
|                                       |                 | AI0,5-10      |                                         |                                                                                                                                   |
|                                       |                 | AI0,75-8      | 0.75 (#18)                              |                                                                                                                                   |
|                                       |                 | AI0,75-10     |                                         |                                                                                                                                   |
|                                       |                 | AI1,0-8       | 1.0 (#18)                               |                                                                                                                                   |
|                                       |                 | AI1,0-10      |                                         |                                                                                                                                   |
|                                       |                 | AI1,5-8       | 1.5 (#16)                               |                                                                                                                                   |
|                                       |                 | AI1,5-10      |                                         |                                                                                                                                   |
| Ground terminals                      |                 | AI2,5-10      | 2.0 *1                                  |                                                                                                                                   |
| Terminals other than ground terminals | Weidmuller      | H0.14/12      | 0.14 (#26)                              | Weidmueller (The figure in parentheses is the applicable wire size.)<br>PZ6 Roto (0.14 to 6 mm <sup>2</sup> , AWG 26 to 10)       |
|                                       |                 | H0.25/12      | 0.25 (#24)                              |                                                                                                                                   |
|                                       |                 | H0.34/12      | 0.34 (#22)                              |                                                                                                                                   |
|                                       |                 | H0.5/14       | 0.5 (#20)                               |                                                                                                                                   |
|                                       |                 | H0.5/16       |                                         |                                                                                                                                   |
|                                       |                 | H0.75/14      | 0.75 (#18)                              |                                                                                                                                   |
|                                       |                 | H0.75/16      |                                         |                                                                                                                                   |
|                                       |                 | H1.0/14       | 1.0 (#18)                               |                                                                                                                                   |
|                                       |                 | H1.0/16       |                                         |                                                                                                                                   |
|                                       |                 | H1.5/14       | 1.5 (#16)                               |                                                                                                                                   |
|                                       |                 | H1.5/16       |                                         |                                                                                                                                   |

\*1. Some AWG 14 wires exceed 2.0 mm<sup>2</sup> and cannot be used in the screwless clamping terminal block.

When you use any ferrules other than those in the above table, crimp them to the twisted wires so that the following processed dimensions are achieved.



### Using Twisted Wires/Solid Wires

If you use the twisted wires or the solid wires, use the following table to determine the correct wire specifications.

| Terminals                             |                                  | Wire type     |              |              |              | Wire size                                  | Conductor length (stripping length) |
|---------------------------------------|----------------------------------|---------------|--------------|--------------|--------------|--------------------------------------------|-------------------------------------|
|                                       |                                  | Twisted wires |              | Solid wire   |              |                                            |                                     |
| Classification                        | Current capacity                 | Plated        | Unplated     | Plated       | Unplated     |                                            |                                     |
| All terminals except ground terminals | 2 A max.                         | Possible      | Possible     | Possible     | Possible     | 0.08 to 1.5 mm <sup>2</sup><br>AWG28 to 16 | 8 to 10 mm                          |
|                                       | Greater than 2 A and 4 A or less |               | Not Possible | Possible *1  | Not Possible |                                            |                                     |
|                                       | Greater than 4 A                 |               | Possible *1  | Not Possible | Not Possible |                                            |                                     |
| Ground terminals                      | ---                              | Possible      | Possible     | Possible *2  | Possible *2  | 2.0 mm <sup>2</sup>                        | 9 to 10 mm                          |

\*1. Secure wires to the screwless clamping terminal block. Refer to the Securing Wires in the USER'S MANUAL for how to secure wires.

\*2. With the NX-TB□□□1 Terminal Block, use twisted wires to connect the ground terminal. Do not use a solid wire.



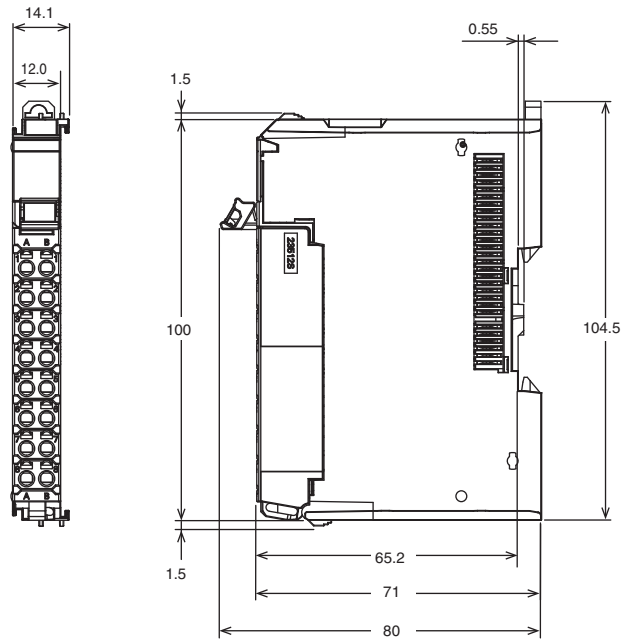
Conductor length (stripping length)

<Additional Information> If more than 2 A will flow on the wires, use plated wires or use ferrules.

# Dimensions

(Unit: mm)

NX-ILM400  
12 mm Width



## Related Manuals

| Man.No | Model                                                                                                                                   | Manual                                                                                                          | Application                                                                                                                                                                                              | Description                                                                                                                                                                                                                                                                                                                                                                                                                                                                                             |
|--------|-----------------------------------------------------------------------------------------------------------------------------------------|-----------------------------------------------------------------------------------------------------------------|----------------------------------------------------------------------------------------------------------------------------------------------------------------------------------------------------------|---------------------------------------------------------------------------------------------------------------------------------------------------------------------------------------------------------------------------------------------------------------------------------------------------------------------------------------------------------------------------------------------------------------------------------------------------------------------------------------------------------|
| W567   | NX-ILM400                                                                                                                               | IO-Link Master Unit User's Manual                                                                               | Learning hardware information, wiring, and specifications for the NX-series IO-Link Master Unit and checking a list of NX objects.                                                                       | Describes detailed part specifications, installation, and wiring and also provides tables of specifications and NX objects for the NX-series IO-Link Master Unit.                                                                                                                                                                                                                                                                                                                                       |
| W570   | NX-ILM400<br>GX-ILM08C                                                                                                                  | IO-Link System User's Manual                                                                                    | Learning everything from an introduction to details about IO-Link Systems, including mainly software information common to all IO-Link masters, Support Software operating methods, and troubleshooting. | Provides an overview of IO-Link Systems and explains the system configuration, communications specifications, communications methods, I/O data, parameters, models, Support Software, and troubleshooting. Refer to the following manuals for the individual IO-Link Master Units for hardware information and specifications specific to each Master Unit and a list of the objects for each Master Unit.<br>NX-series IO-Link Master Unit: W568<br>GX-series IO-Link Master Unit: W488-E1-05 or later |
| W488   | GX-ID □□□□<br>GX-OD □□□□<br>GX-OC □□□□<br>GX-MD □□□□<br>GX-AD □□□□<br>GX-DA □□□□<br>GX-EC □□□□<br>GX-ILM □□□□<br>XWT-ID □□<br>XWT-OD □□ | EtherCAT Slave Units User's Manual                                                                              | Learning hardware information on the GX-series IO-Link Master Unit and checking a list of objects (W488-E1-05 or later). Or, learning how to use GX-series EtherCAT Slave Terminals.                     | Describes part names, functions, installation, and wiring and also provides tables of specifications and objects for the GX-series IO-Link Master Unit (W488-E1-05 or later). Also describes the hardware, setup methods, and functions of the EtherCAT Remote I/O Terminals.                                                                                                                                                                                                                           |
| W502   | NX701-□□□□<br>NJ501-□□□□<br>NJ301-□□□□<br>NJ101-□□□□<br>NX102-□□□□<br>NX1P2-□□□□                                                        | NJ/NX-series Instructions Reference Manual                                                                      | Learning detailed specifications on the basic instructions of an NJ/NXseries CPU Unit.                                                                                                                   | The instructions in the instruction set (IEC 61131-3 specifications) are described. When programming, use this manual together with the <i>NX-series CPU Unit Hardware User's Manual</i> (Cat. No. W535) or <i>NJ-series CPU Unit Hardware User's Manual</i> (Cat. No. W500) and <i>NJ/NX-series CPU Unit Software User's Manual</i> (Cat. No. W501).                                                                                                                                                   |
| W505   | NX701-□□□□<br>NJ501-□□□□<br>NJ301-□□□□<br>NJ101-□□□□<br>NX102-□□□□<br>NX1P2-□□□□                                                        | NJ/NX-series CPU Unit Built-in EtherCAT® Port User's Manual                                                     | Using the built-in EtherCAT port on an NJ/NX-series CPU Unit.                                                                                                                                            | Information on the built-in EtherCAT port is provided. This manual provides an introduction and provides information on the configuration, features, and setup.                                                                                                                                                                                                                                                                                                                                         |
| W503   | NX701-□□□□<br>NJ501-□□□□<br>NJ301-□□□□<br>NJ101-□□□□<br>NX102-□□□□<br>NX1P2-□□□□                                                        | NJ/NX-series Troubleshooting Manual                                                                             | Learning about the errors that may be detected in an NJ/NX-series Controller.                                                                                                                            | Concepts on managing errors that may be detected in an NJ/NX-series Controller and information on individual errors are described.                                                                                                                                                                                                                                                                                                                                                                      |
| W525   | NX- □□□□□□                                                                                                                              | NX-series Data Reference Manual                                                                                 | Referencing lists of the data that is required to configure systems with NX-series Units                                                                                                                 | Lists of the power consumptions, weights, and other NX Unit data that is required to configure systems with NX-series Units are provided.                                                                                                                                                                                                                                                                                                                                                               |
| W519   | NX-ECC□□□                                                                                                                               | NX-series EtherCAT® Coupler Unit User's Manual                                                                  | Learning how to use an NX-series EtherCAT Coupler Unit and EtherCAT Slave Terminals                                                                                                                      | The system and configuration of EtherCAT Slave Terminals, which consist of an NX-series EtherCAT Coupler Unit and NX Units, are described along with the hardware, setup, and functions of the EtherCAT Coupler Unit that are required to configure, control, and monitor NX Units through EtherCAT.                                                                                                                                                                                                    |
| W536   | NX-EIC202                                                                                                                               | NX-series EtherNet/IP™ Coupler Unit User's Manual                                                               | Learning how to use an NX-series EtherNet/IP Coupler Unit and EtherNet/IP Slave Terminals.                                                                                                               | The following items are described: the overall system and configuration methods of an EtherNet/IP Slave Terminal (which consists of an NX-series EtherNet/IP Coupler Unit and NX Units), and information on hardware, setup, and functions to set up, control, and monitor NX Units.                                                                                                                                                                                                                    |
| W504   | SYSMAC-SE2-□□□□                                                                                                                         | Sysmac Studio Version 1 Operation Manual                                                                        | Learning about the operating procedures and functions of the Sysmac Studio.                                                                                                                              | Describes the operating procedures of the Sysmac Studio.                                                                                                                                                                                                                                                                                                                                                                                                                                                |
| W578   | NX1P2-□□□□                                                                                                                              | NX-series NX1P2 CPU Unit Hardware User's manual                                                                 | Learning the basic specifications of the NX-series NX1P2 CPU Units, including introductory information, designing, installation, and maintenance. Mainly hardware information is provided.               | An introduction to the entire NX1P system is provided along with the following information on the NX1P2 CPU Unit. <ul style="list-style-type: none"> <li>• Features and system configuration</li> <li>• Introduction</li> <li>• Part names and functions</li> <li>• General specifications</li> <li>• Installation and wiring</li> <li>• Maintenance and inspection</li> </ul>                                                                                                                          |
| W562   | NY532-□□□□<br>NY512-□□□□                                                                                                                | NY-series IPC Machine Controller Industrial Panel PC / Industrial Box PC Built-in Ether-CAT® Port User's Manual | Using the built-in EtherCAT port in an NY-series Industrial PC.                                                                                                                                          | Information on the built-in EtherCAT port is provided. This manual provides an introduction and provides information on the configuration, features, and setup.                                                                                                                                                                                                                                                                                                                                         |
| W560   | NY532-□□□□<br>NY512-□□□□                                                                                                                | NY-series Instructions Reference Manual                                                                         | Learning detailed specifications on the basic instructions of an NY-series Industrial PC.                                                                                                                | The instructions in the instruction set (IEC 61131-3 specifications) are described.                                                                                                                                                                                                                                                                                                                                                                                                                     |

**Note:** Refer to the instructions for the individual Sensors for information on IO-Link Sensors.

## Terms and Conditions Agreement

### Read and understand this catalog.

Please read and understand this catalog before purchasing the products. Please consult your OMRON representative if you have any questions or comments.

### Warranties.

(a) Exclusive Warranty. Omron's exclusive warranty is that the Products will be free from defects in materials and workmanship for a period of twelve months from the date of sale by Omron (or such other period expressed in writing by Omron). Omron disclaims all other warranties, express or implied.

(b) Limitations. OMRON MAKES NO WARRANTY OR REPRESENTATION, EXPRESS OR IMPLIED, ABOUT NON-INFRINGEMENT, MERCHANTABILITY OR FITNESS FOR A PARTICULAR PURPOSE OF THE PRODUCTS. BUYER ACKNOWLEDGES THAT IT ALONE HAS DETERMINED THAT THE PRODUCTS WILL SUITABLY MEET THE REQUIREMENTS OF THEIR INTENDED USE.

Omron further disclaims all warranties and responsibility of any type for claims or expenses based on infringement by the Products or otherwise of any intellectual property right. (c) Buyer Remedy. Omron's sole obligation hereunder shall be, at Omron's election, to (i) replace (in the form originally shipped with Buyer responsible for labor charges for removal or replacement thereof) the non-complying Product, (ii) repair the non-complying Product, or (iii) repay or credit Buyer an amount equal to the purchase price of the non-complying Product; provided that in no event shall Omron be responsible for warranty, repair, indemnity or any other claims or expenses regarding the Products unless Omron's analysis confirms that the Products were properly handled, stored, installed and maintained and not subject to contamination, abuse, misuse or inappropriate modification. Return of any Products by Buyer must be approved in writing by Omron before shipment. Omron Companies shall not be liable for the suitability or unsuitability or the results from the use of Products in combination with any electrical or electronic components, circuits, system assemblies or any other materials or substances or environments. Any advice, recommendations or information given orally or in writing, are not to be construed as an amendment or addition to the above warranty.

See <http://www.omron.com/global/> or contact your Omron representative for published information.

### Limitation on Liability: Etc.

OMRON COMPANIES SHALL NOT BE LIABLE FOR SPECIAL, INDIRECT, INCIDENTAL, OR CONSEQUENTIAL DAMAGES, LOSS OF PROFITS OR PRODUCTION OR COMMERCIAL LOSS IN ANY WAY CONNECTED WITH THE PRODUCTS, WHETHER SUCH CLAIM IS BASED IN CONTRACT, WARRANTY, NEGLIGENCE OR STRICT LIABILITY.

Further, in no event shall liability of Omron Companies exceed the individual price of the Product on which liability is asserted.

### Suitability of Use.

Omron Companies shall not be responsible for conformity with any standards, codes or regulations which apply to the combination of the Product in the Buyer's application or use of the Product. At Buyer's request, Omron will provide applicable third party certification documents identifying ratings and limitations of use which apply to the Product. This information by itself is not sufficient for a complete determination of the suitability of the Product in combination with the end product, machine, system, or other application or use. Buyer shall be solely responsible for determining appropriateness of the particular Product with respect to Buyer's application, product or system. Buyer shall take application responsibility in all cases.

NEVER USE THE PRODUCT FOR AN APPLICATION INVOLVING SERIOUS RISK TO LIFE OR PROPERTY OR IN LARGE QUANTITIES WITHOUT ENSURING THAT THE SYSTEM AS A WHOLE HAS BEEN DESIGNED TO ADDRESS THE RISKS, AND THAT THE OMRON PRODUCT(S) IS PROPERLY RATED AND INSTALLED FOR THE INTENDED USE WITHIN THE OVERALL EQUIPMENT OR SYSTEM.

### Programmable Products.

Omron Companies shall not be responsible for the user's programming of a programmable Product, or any consequence thereof.

### Performance Data.

Data presented in Omron Company websites, catalogs and other materials is provided as a guide for the user in determining suitability and does not constitute a warranty. It may represent the result of Omron's test conditions, and the user must correlate it to actual application requirements. Actual performance is subject to the Omron's Warranty and Limitations of Liability.

### Change in Specifications.

Product specifications and accessories may be changed at any time based on improvements and other reasons. It is our practice to change part numbers when published ratings or features are changed, or when significant construction changes are made. However, some specifications of the Product may be changed without any notice. When in doubt, special part numbers may be assigned to fix or establish key specifications for your application. Please consult with your Omron's representative at any time to confirm actual specifications of purchased Product.

### Errors and Omissions.

Information presented by Omron Companies has been checked and is believed to be accurate; however, no responsibility is assumed for clerical, typographical or proofreading errors or omissions.