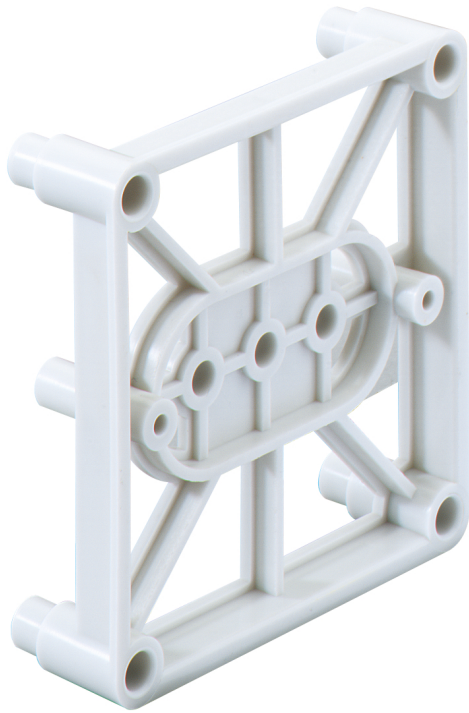


blank base

## BS 1-BSK



### BS 1-BSK

**blank base**

Productnumber: 97443101

Dimensions: 86 x 86 x 25 mm

Blank base BS to support the BS boxes, for opposing formwork in conjunction with support spars

**blank base, 86 x 86 x 25 mm**

---

## Technical Data

### Dimensions

Width:	86 mm
Length:	86 mm
Height:	25 mm

### Material characteristics

Industry quality:	no
-------------------	----

### mechanical properties

Type of accessory:	other
--------------------	-------

## Accessories

[97924001 - NAS-AL - IBT Accessories](#)

[97924201 - NA-AL - IBT Accessories](#)

[97924301 - NA-AL/gl - IBT Accessories](#)