

Loop controller, Input output controller, and Relay output controller

Installation Quick Guide

Safety Information

Electrical equipment should be installed, operated, serviced, and maintained only by qualified personnel. No responsibility is assumed by Schneider Electric for any consequences arising out of the use of this material.

A qualified person is one who has skills and knowledge related to the construction, installation, and operation of electrical equipment and has received safety training to recognize and avoid the hazards involved.

Installing the ALC2/SLC/ELC/CLC/IOC/OCA Circuit Boards

NOTICE

EQUIPMENT DAMAGE

- Remove all power from the fire detection panel before you install, remove or replace any parts in it.
- First disconnect the battery, then the main power supply.
- Use electrostatic discharge (ESD) protection when you install, remove or replace parts in the fire detection panel.

Failure to follow these instructions can result in equipment damage.

To Install the ALC2/SLC/ELC/CLC/IOC/OCA Circuit Boards

①

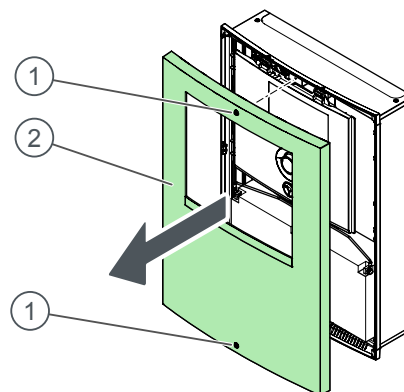
Loosen the two screws that hold the front panel in position.

②

Remove the front panel.

③

Make sure that the mains supply and batteries are disconnected from the fire detection panel.



Loop controller, Input output controller, and Relay output controller

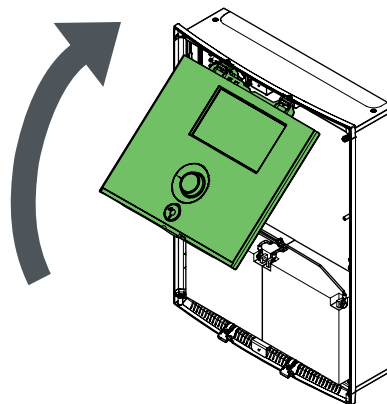
Installation Quick Guide

Continued

To Install the ALC2/SLC/ELC/CLC/IOC/OCA Circuit Boards

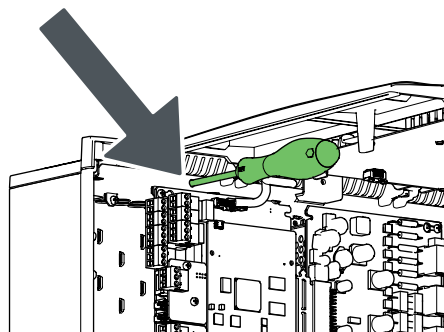
④

To access the circuit boards and mounting plate, swing the display out of the way.



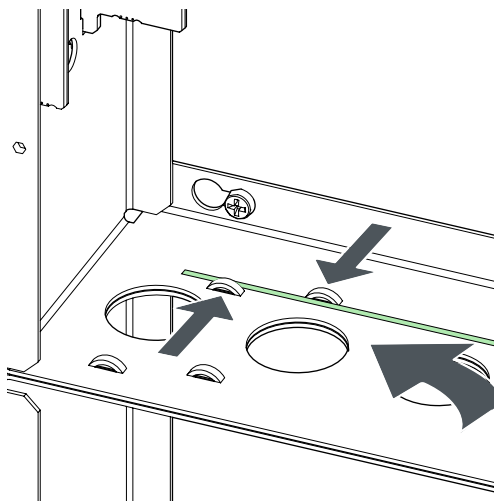
⑤

To keep the display up, put a screwdriver in the support hole.



⑥

When you insert the new circuit board, make sure that the board goes between the notches.



Loop controller, Input output controller, and Relay output controller

Installation Quick Guide

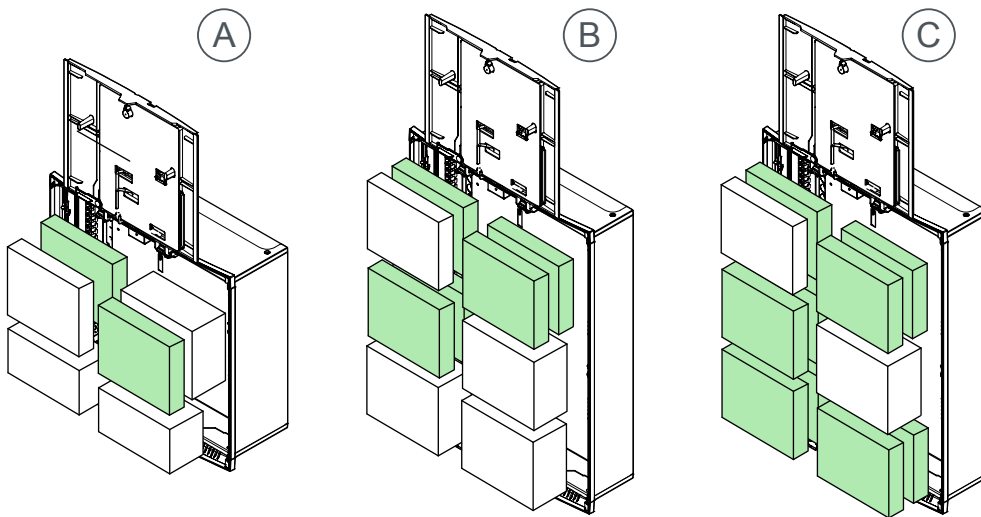
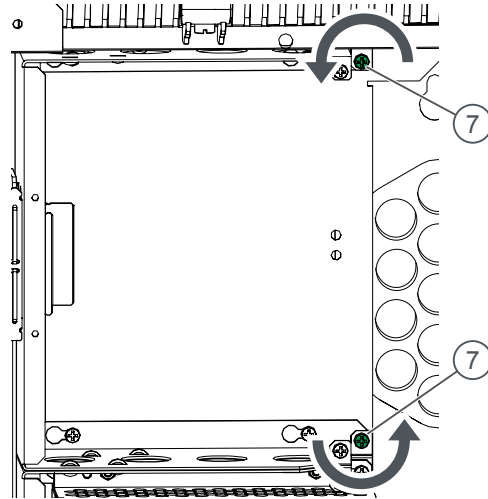
Continued

To Install the ALC2/SLC/ELC/CLC/IOC/OCA Circuit Boards

⑦

Loosen the two screws.

You can install the new board in any free card slot, see the illustration below.



Locations of the optional boards

(A) FDP221

(B) FDP252

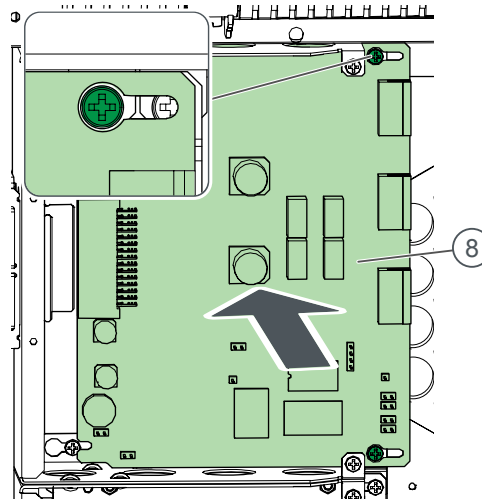
(C) FDP292

Loop controller, Input output controller, and Relay output controller

Installation Quick Guide

⑧

Set the circuit board into the slot.



⑨

Slide the circuit board to the correct place.

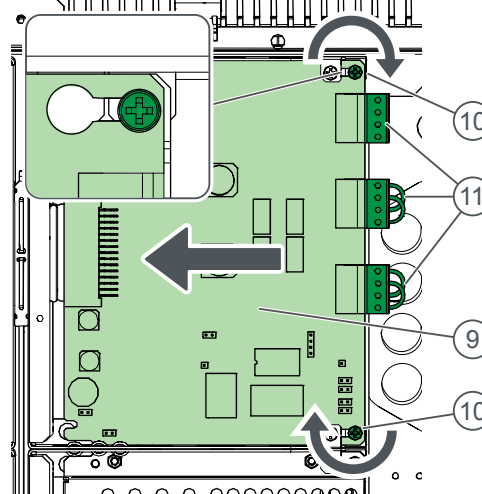
⑩

Tighten the two screws.

NOTE: Tighten the two screws carefully to secure the ground connection.

⑪

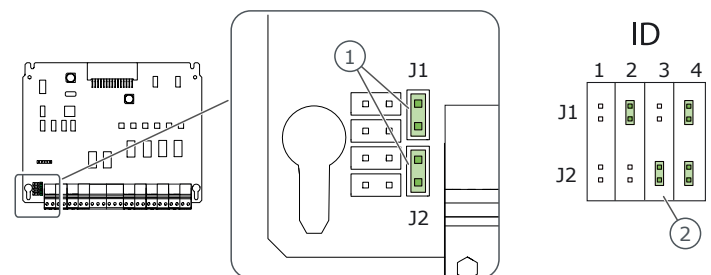
Attach the connectors, if necessary.



⑫

Set the address for IOC:

1. Address jumpers J1 and J2
2. How to set addresses 1–4



Loop controller, Input output controller, and Relay output controller

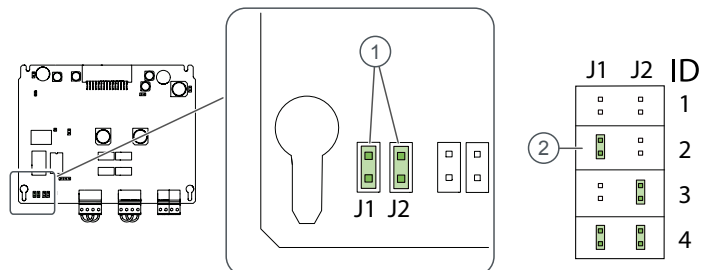
Installation Quick Guide

Continued

13

Set the address for ALC2/SLC/CLC/OCA:

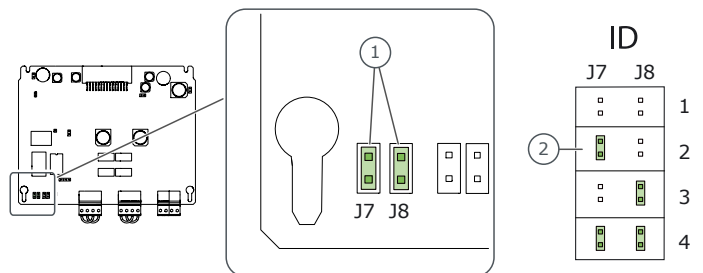
1. Address jumpers J1 and J2
2. How to set addresses 1–4



14

Set the address for ELC:

1. Address jumpers J7 and J8
2. How to set addresses 1–4



15

Repeat the steps in reverse order to remove a circuit board.

16

When you change a circuit board, set the address for the unit as it was in the old one.

Loop controller, Input output controller, and Relay output controller

Installation Quick Guide

Loop controller, Input output controller, and Relay output controller

Installation Quick Guide

Loop controller, Input output controller, and Relay output controller

Installation Quick Guide

