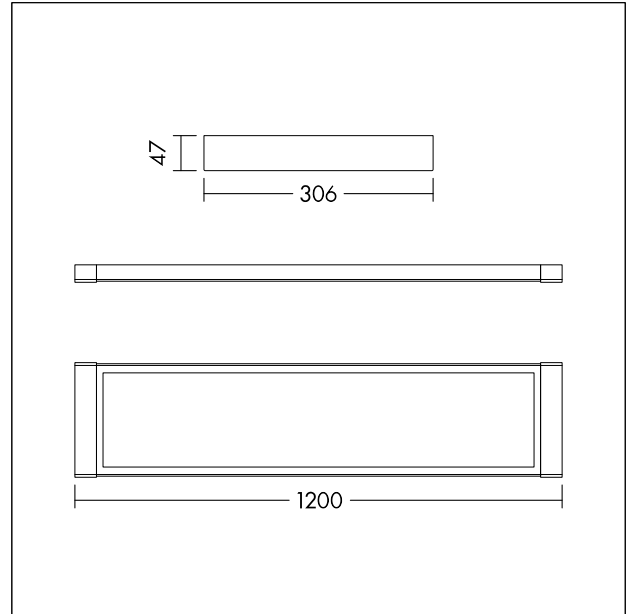


Surface mounted LED luminaire

Surface mounted LED luminaire DALI dimmable, for asymmetric light distribution (direct only). Especially designed with PMMA lens and reflector for homogenous black- and whiteboard illumination. Luminaire input power: 16 W, Lifetime: 50.000h L80, Chromaticity tolerance (initial MacAdam): 4, Total luminous flux: 2000 lm, Luminaire efficacy: 125 lm/W, Colour rendering Ra > 80, colour temperature 4000 K. Tool-free installation (piano key terminal for up to 2.5 mm<sup>2</sup> wires). Flicker free. Suitable for surface, wall and suspension mounting. Wall brackets, continuous row connector and suspension kit available as accessory. TRIDONIC premium driver (28000654) offering dimming range 1 to 100% via DALI-2, DSI and switchDIM. DC level adjustable. Mains frequency 0/50/60 Hz. CorridorFUNCTION. Suitable for emergency escape lighting systems acc. to EN 50172. Dimensions: 1200 x 306 x 47 mm, weight: 3.5 kg.



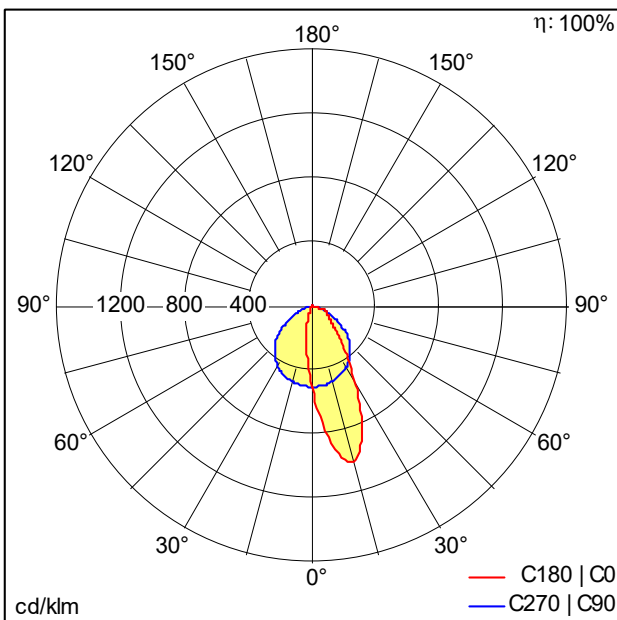
TE\_ROXY\_F\_1200\_ASYM\_Persp.jpg



TE\_ROXY\_M\_1200.wmf

Light Distribution

STD - standard



TE\_ROXY\_1200\_ASYM\_2000\_840.idt

- Light Source: LED
- Luminaire luminous flux\*: 2000 lm
- Luminaire efficacy\*: 125 lm/W
- Colour Rendering Index min.: 80
- Correlated colour temperature\*: 4000 Kelvin
- Chromaticity tolerance (initial MacAdam): 4
- Rated median useful life\*: L80 50000 h at 25 °C
- Ballast: 1x LED\_Con
- Luminaire input power\*: 16 W Power factor = 0.95
- Dimming: HFIX dimmable to 1%
- Maintenance category CIE 97: D - Enclosed IP2X
- Total harmonic distortion (THD): 10.00 %

This product contains a light source of energy efficiency class E.

All values marked with an \* are rated values. Connected electrical load and luminous flux are subject to an initial tolerance of +/- 10%, the most similar colour temperature is subject to an initial tolerance of +/- 150K. Unless stated otherwise, the values apply to an ambient temperature of 25°C.