

Product Data Sheet

GWP2911

SMART [PRO] 2.0



SMART [PRO] 2.0 is a high power outdoor and indoor LED projector, suitable for lighting large areas and sports facilities.

It can be installed on the wall, ceiling or ground thanks to the polyester powder coated galvanised steel bracket with trivalent passivation, equipped with adjustable goniometric scale and supplied in a kit. The body is fabricated in aluminium die casting

EN AB 46100, with integrated passive heat dissipation, powder-coated polyester paint with trivalent passivation. PCB metal core with CSP LED.

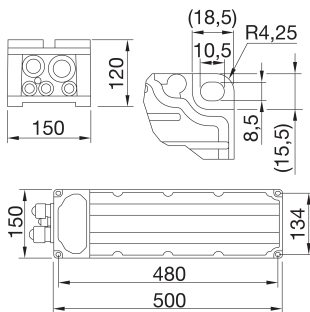
Reflector made of metallic HT PC or anodised and polished aluminium. Hardened front glass with 4mm thickness, anti-ageing silicone seals and A2 stainless steel exterior screws. Bracket screws with GEOMET® treatment. Plastic venting and anti-condensation device. Insulation class 1. Remote power supply unit in DALI or DMX options, multiple electrical connection kits, supplied separately.

Available with nine different types of optics, three types of Colour Temperature (3,000/4,000K/5,700K) and three different types of Color Rendering Index (CRI>70, CRI>80, CRI>90).

Designed to withstand surges up to 5KV (RCCB mode) and 10KV (common mode), temperature variations from -30°C to +50°C, water and dust penetration up to IP66 protection grade and shockproof up to IK08 grade.

Insulation class	I	IP degree	IP66
Mechanical resistance	IK08	Type	External power supply
Voltage	220-400 V - 50/60 Hz	Versions	DMX
Description	DMX power supply unit 2+2M 220-400V	Weight (kg)	5.4
Series	Smart [PRO] 2.0	Application	Indoor / Outdoor
Number of modules	2+2M	Maximum surface exposed to the wind	0.075 m²
Warranty	5 years	Operating temperature	-30 +50 °C
Overvoltage resistance	DM 10KV / CM 10KV	Driver failure rate	F10 = 90.000h Tq25°C

DIMENSIONAL



PHOTOMETRIC DISTRIBUTION

TECHNICAL SYMBOLOGY



IP

IP66

IK

IK08



0.075 m²



STANDARDS/APPROVALS

