

WOJP05995

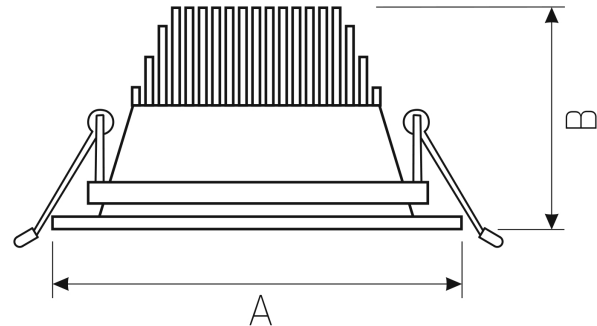
WOJP05995



Power	35 W	Voltage	230 V
Colour temperature	4000 K	Colour of light	WW
Beam angle	15 °	Degree of protection (IP)	IP20


Technical data

Code	WQJP05995
Power	35 W
Nominal current	167.4 mA
Voltage	230 V
Energy consumption	35 kWh/1000h
Frequency	50HZ Hz
Protection class	II
Power supply included	+
Manufacturer of power supply	TRIDONIC
Power factor	0.93
Useful luminous flux*	4025 lm (360°)
Luminous flux**	3500 lm (360°)
Lamp efficacy	115 lm/W
Colour temperature	4000 K
Colour of light	WW
Beam angle	15 °
RA	90
Light source included	+
Producer of LED diodes	CREE
Uniformity of color SDCM max	3
Dimmable	OPC
Working temperature range	-20/+40 °
Lifespan	50000 h
Housing material	Aluminum
Degree of protection (IP)	IP20
Colour	Black
Dimension (AxBxC)	180x130 mm
Mounting hole	Ø145 mm
For use	Inside
Assembly method	Recessed
Application	Inside
Made in	PL



Related documents



 Declaration of Conformity



 Photometric file