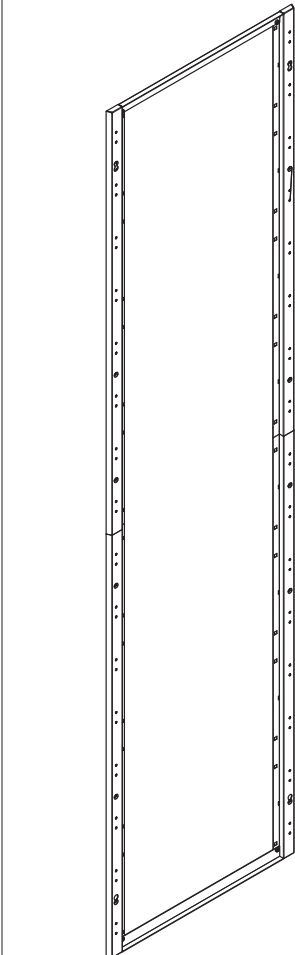
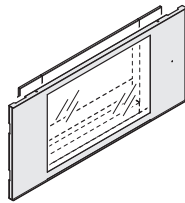


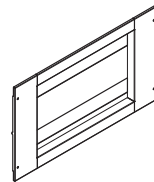
GWN1042XB / (H 2400)
GWN1043XB / (H 2700)



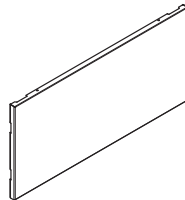
GWN1051XB (H 300)



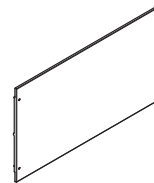
GWN1121XB (H 300)



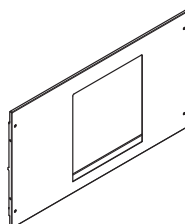
GWN1062XB (H 300)
GWN1064XB (H 600)
GWN1066XB (H 900)



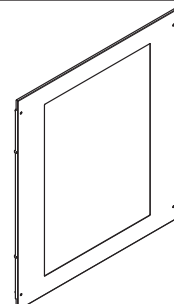
GWN1124XB (H 300)

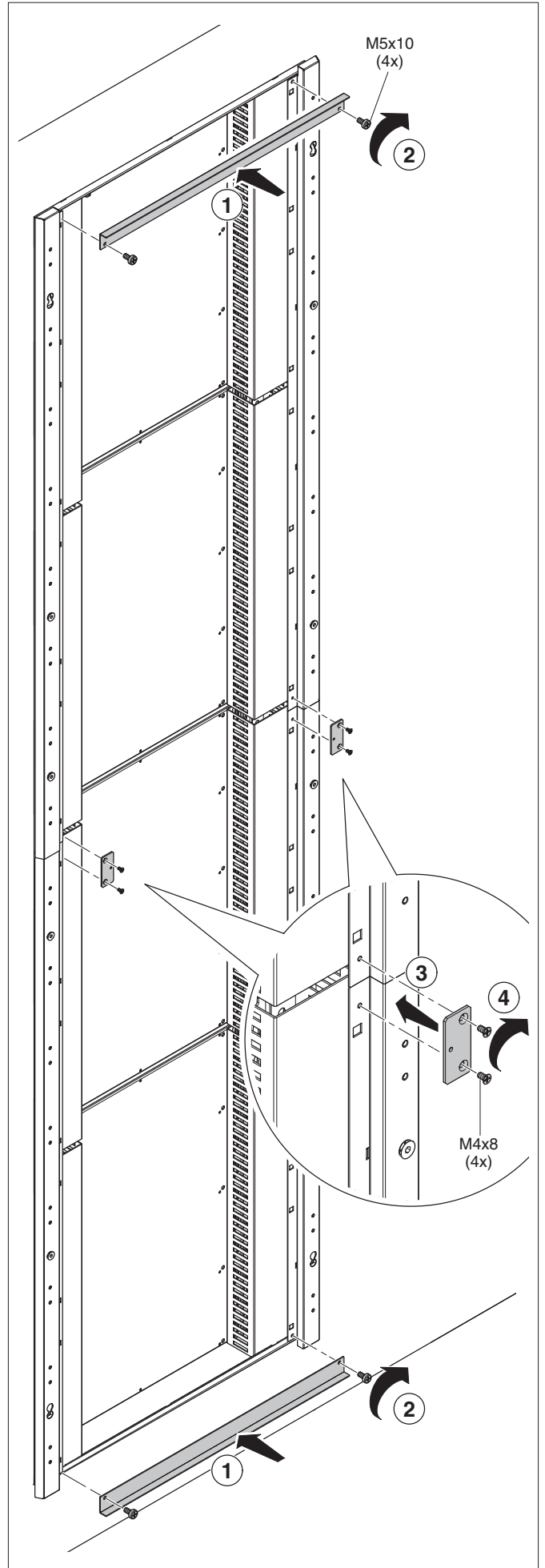
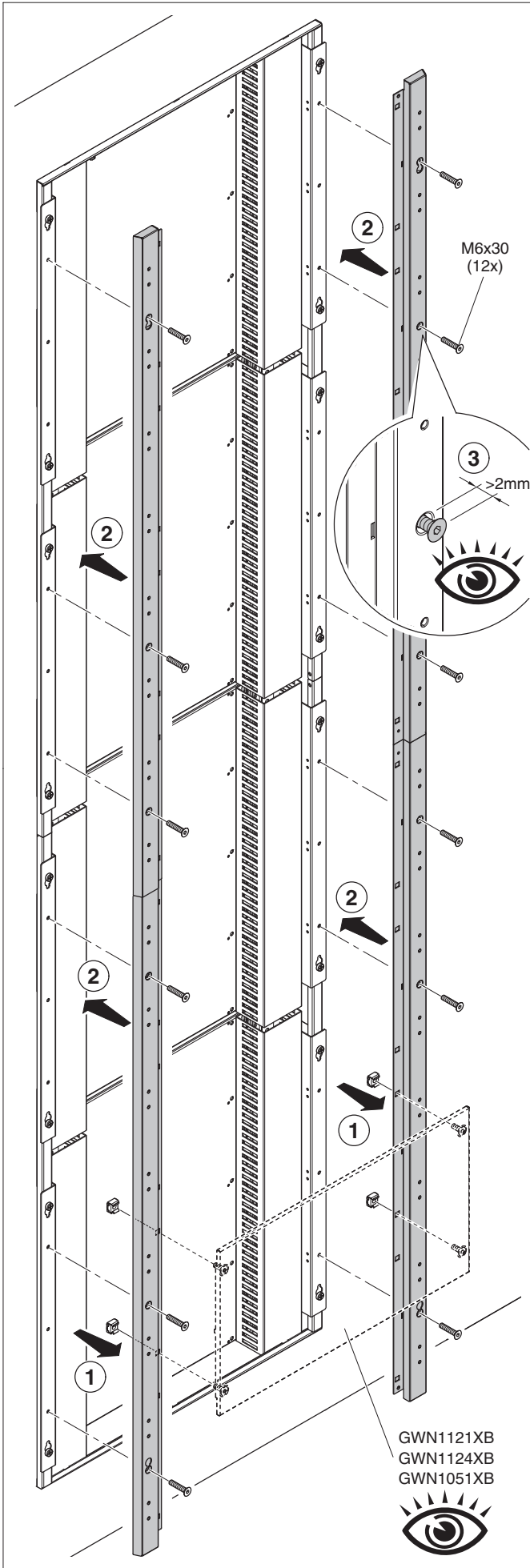


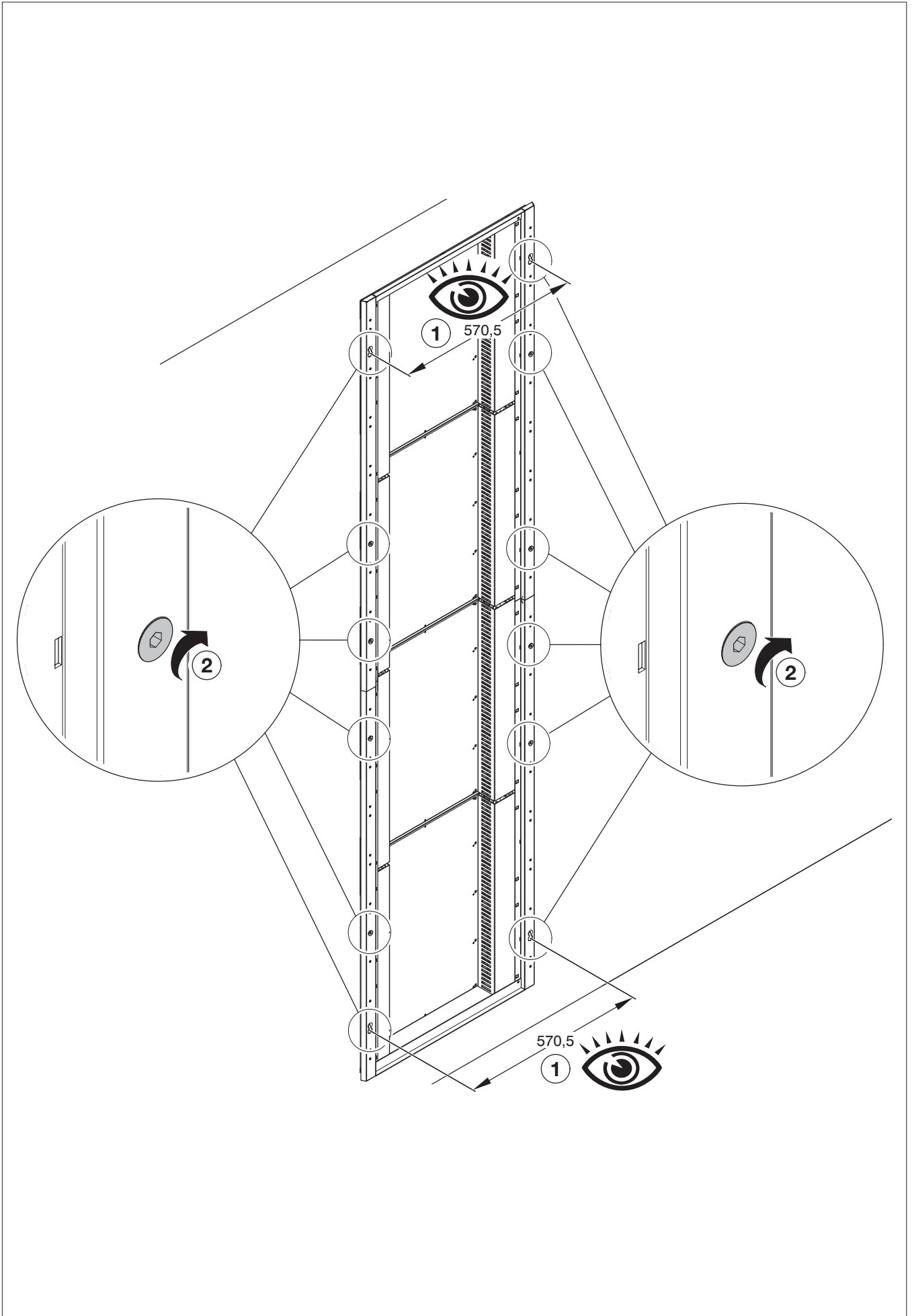
GWN1123XB (H 300)

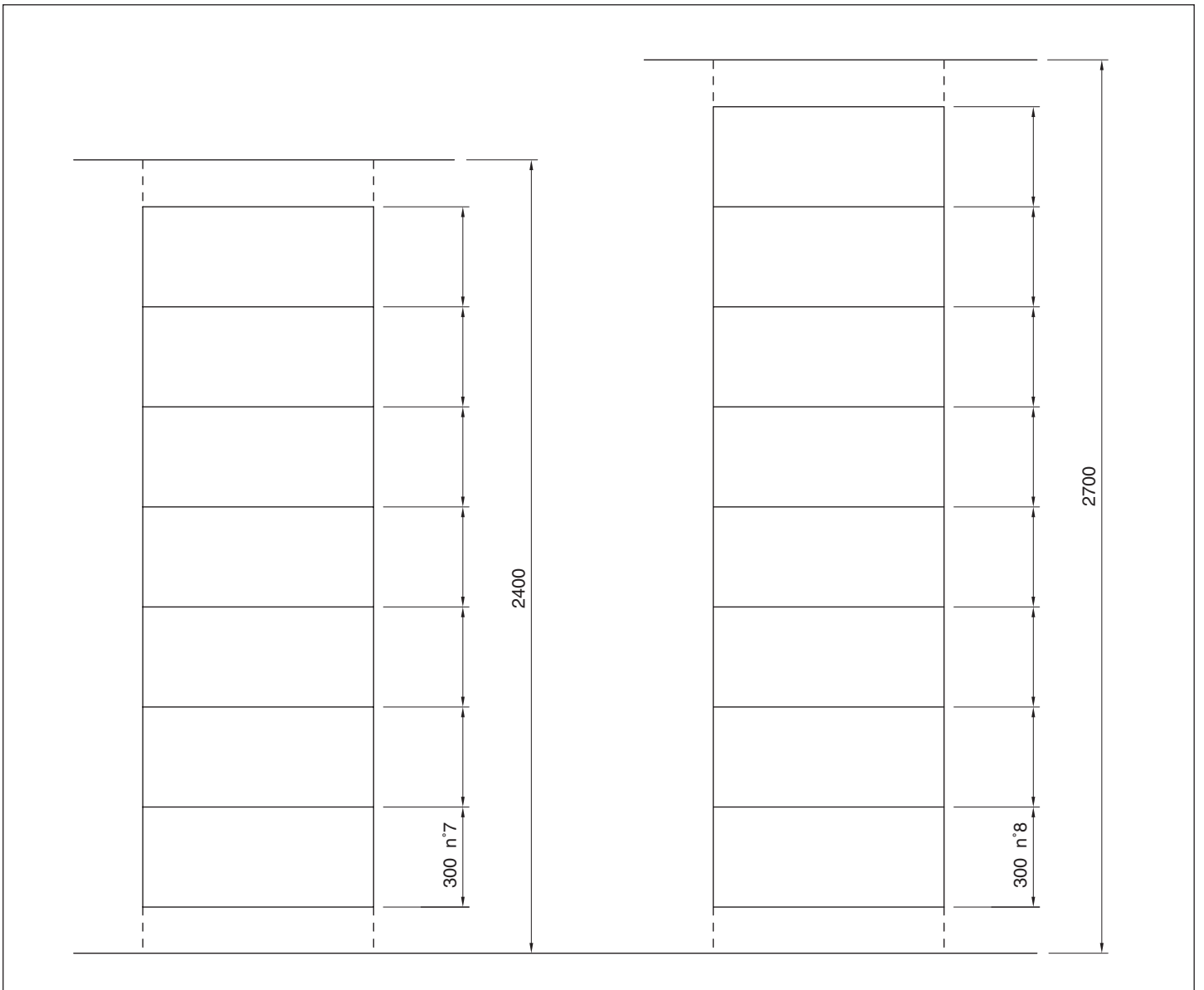
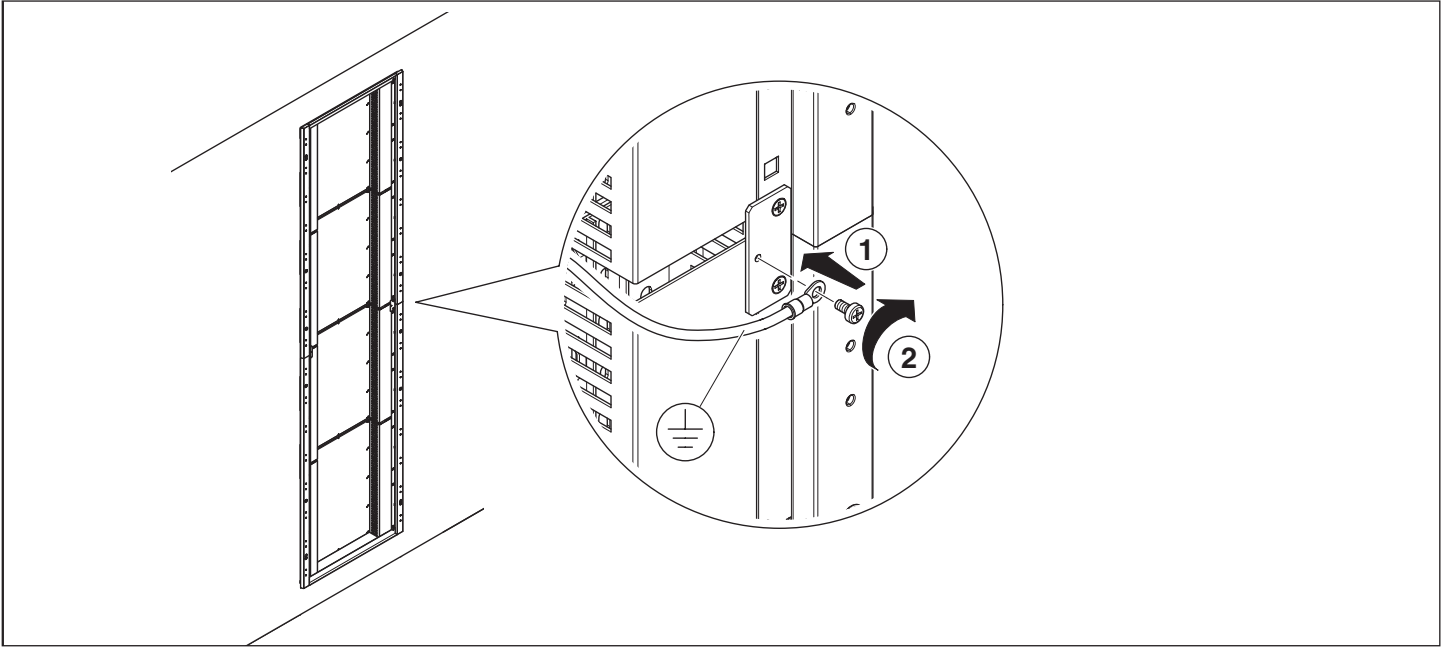


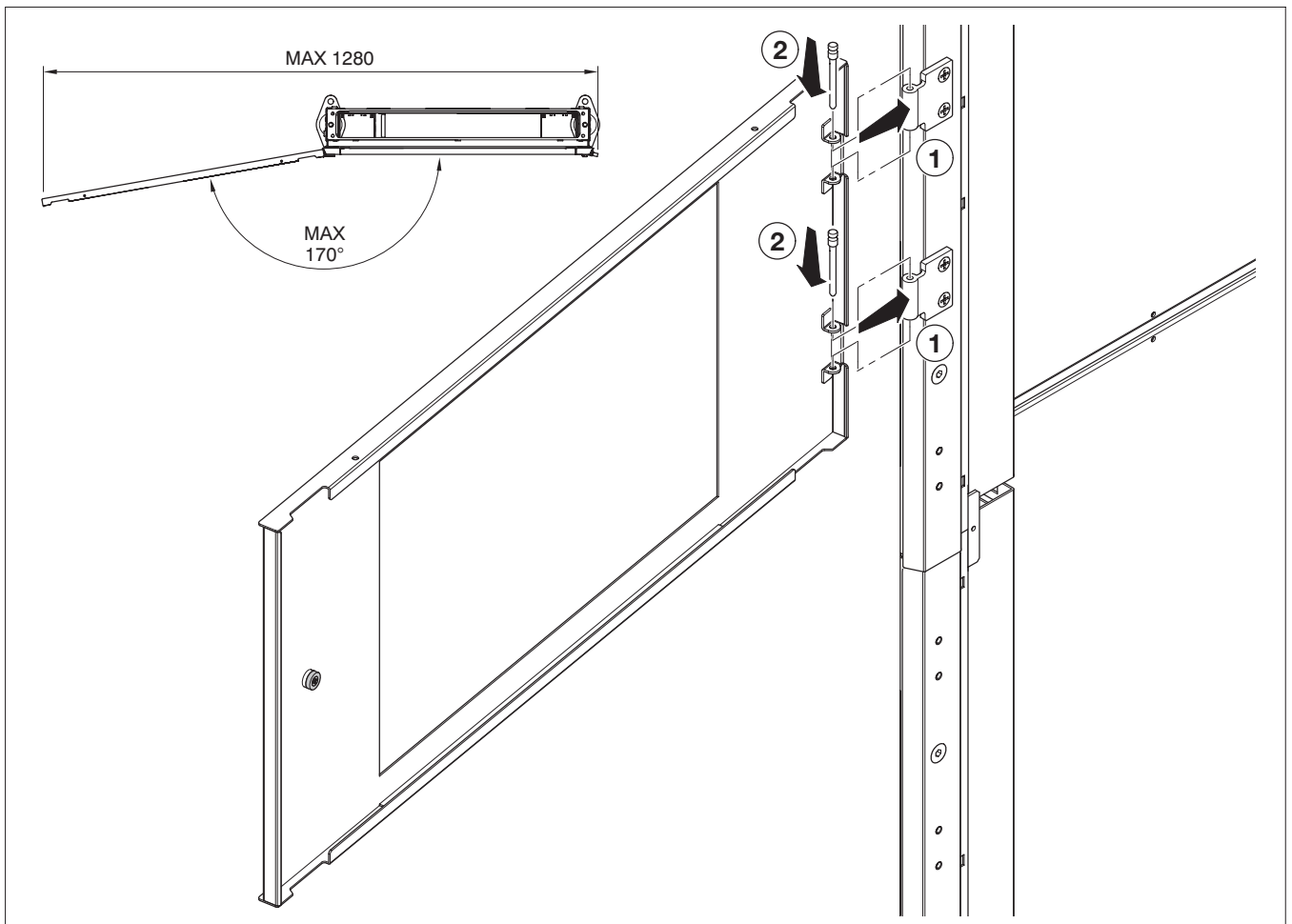
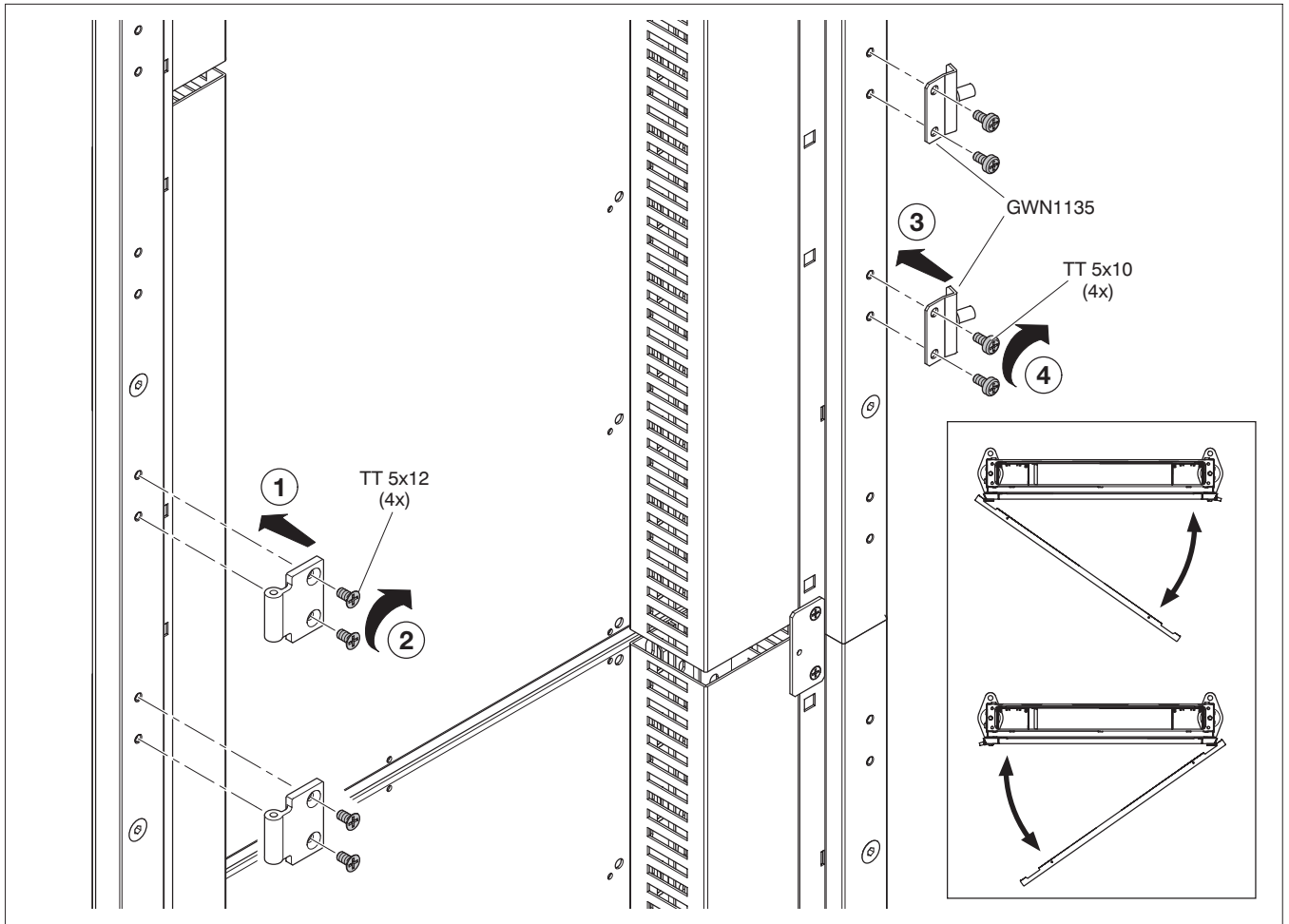
GWN1122XB (H 600)

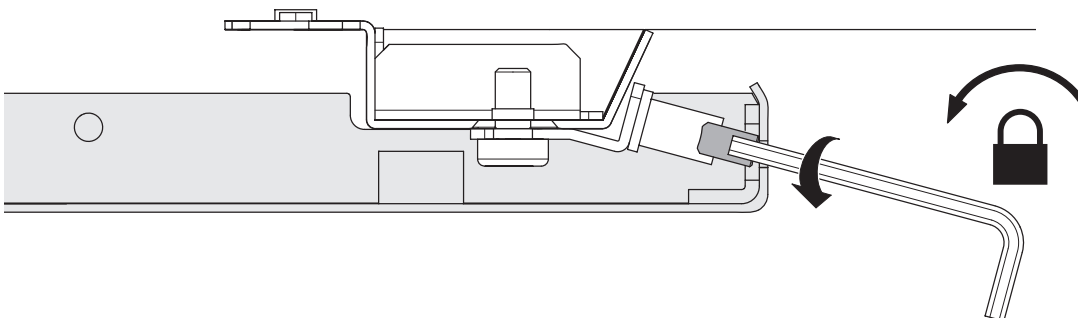
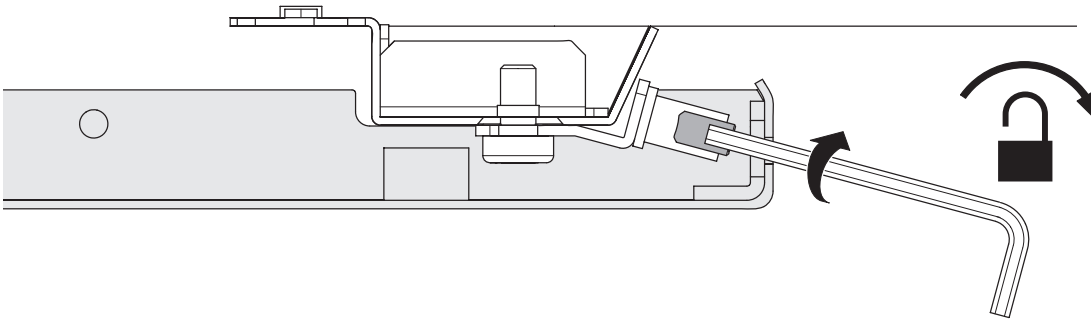
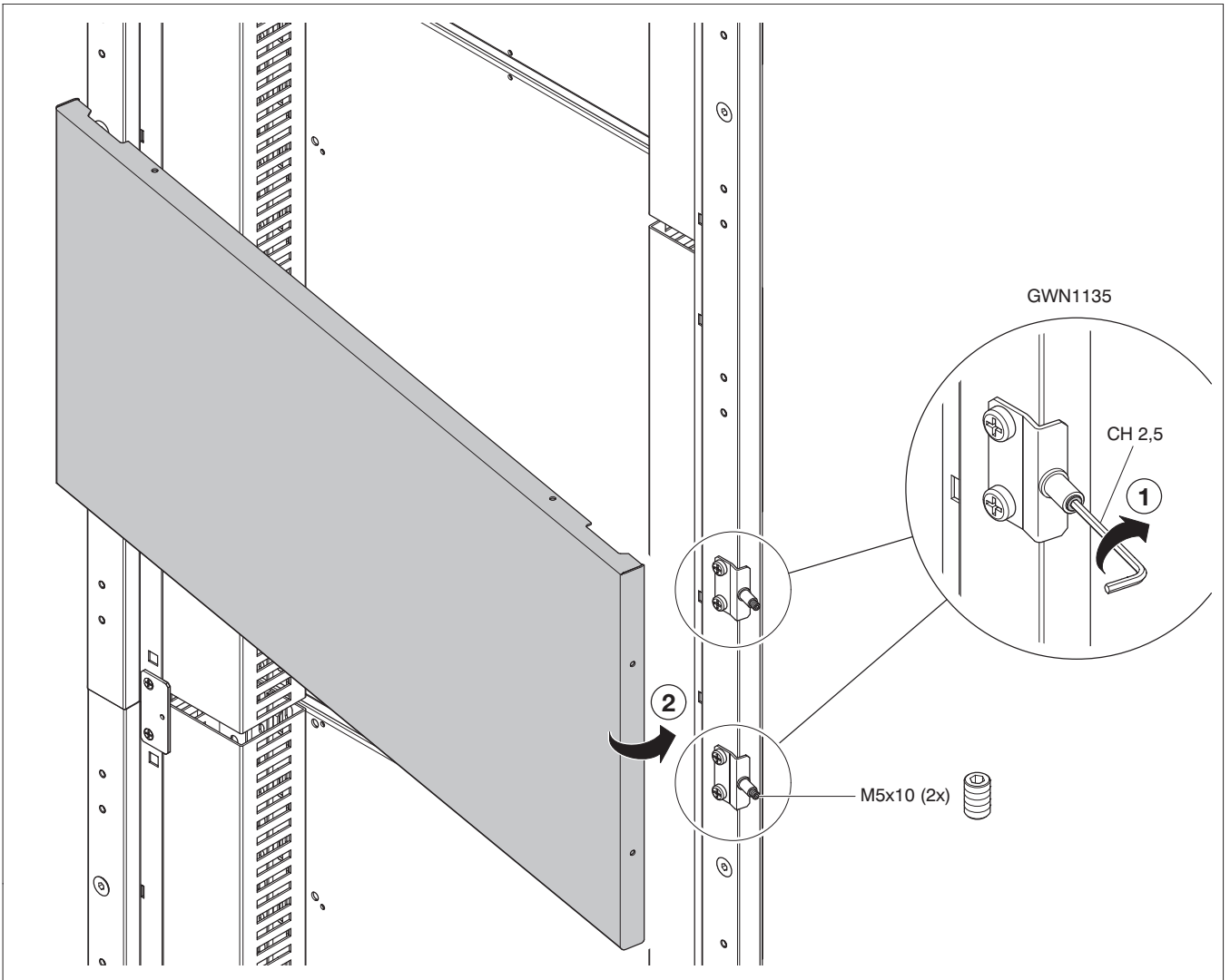


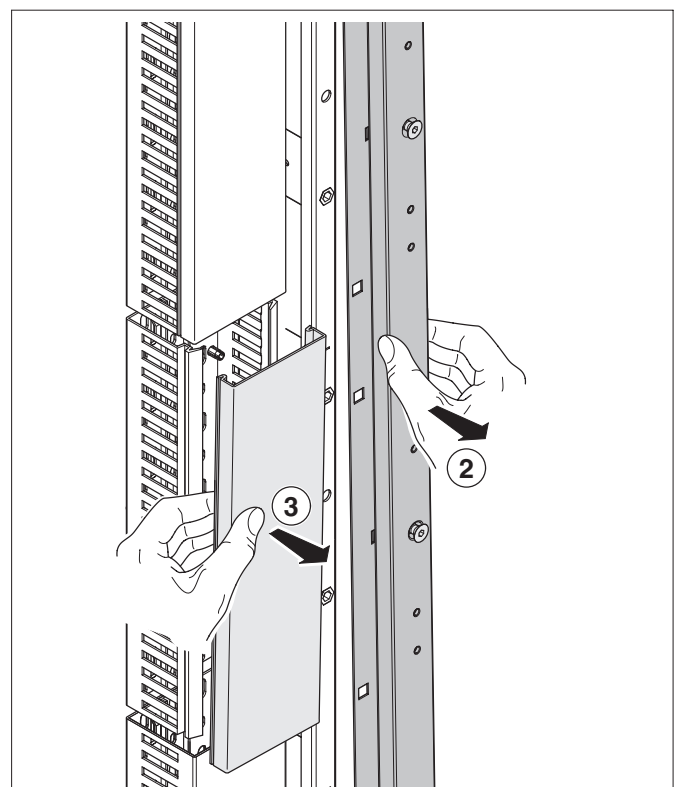
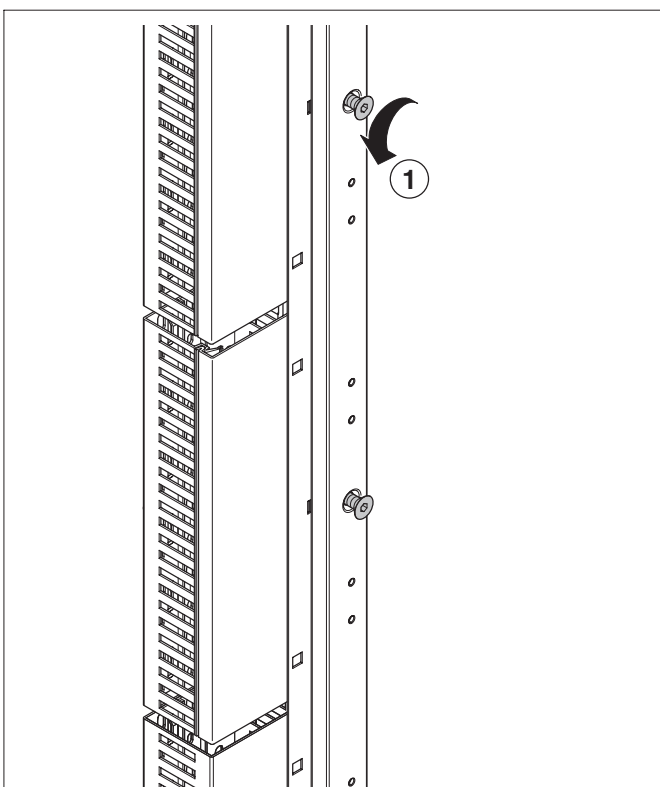
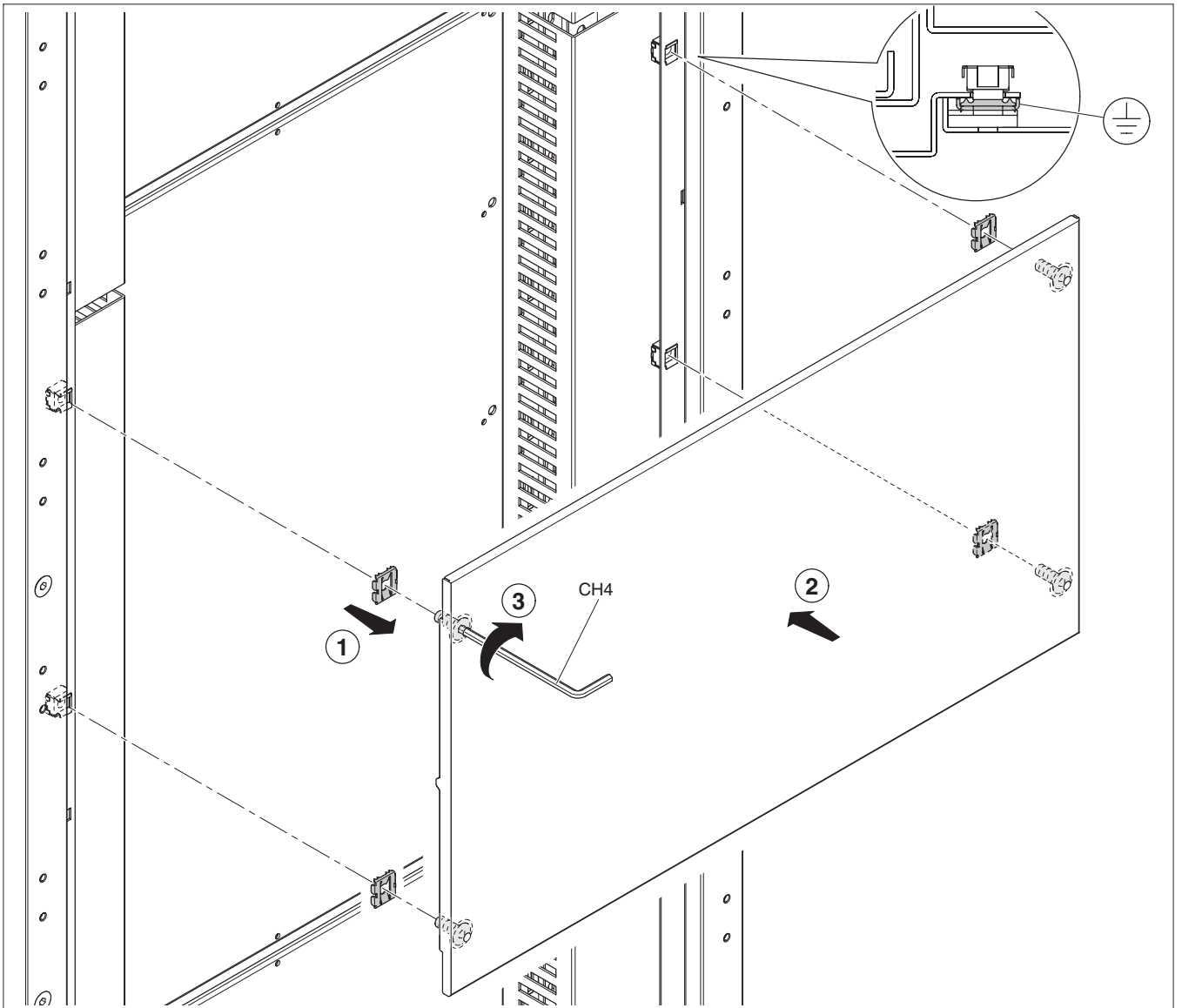


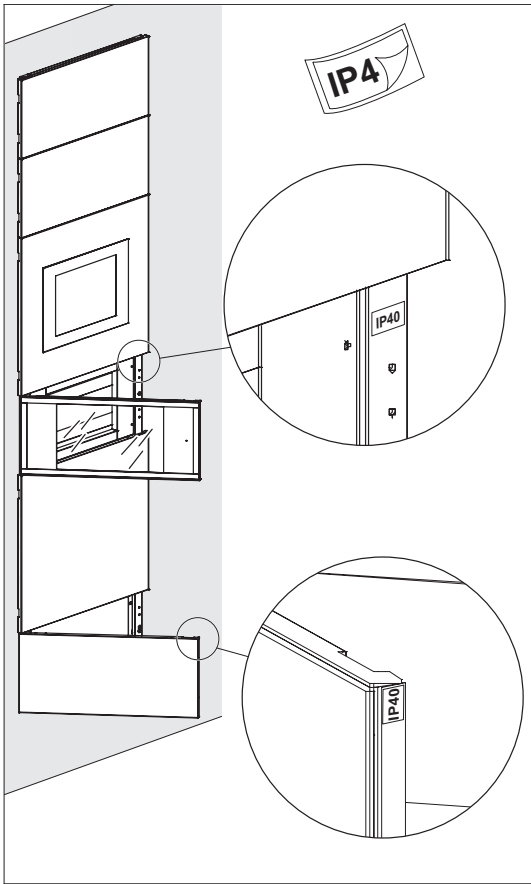




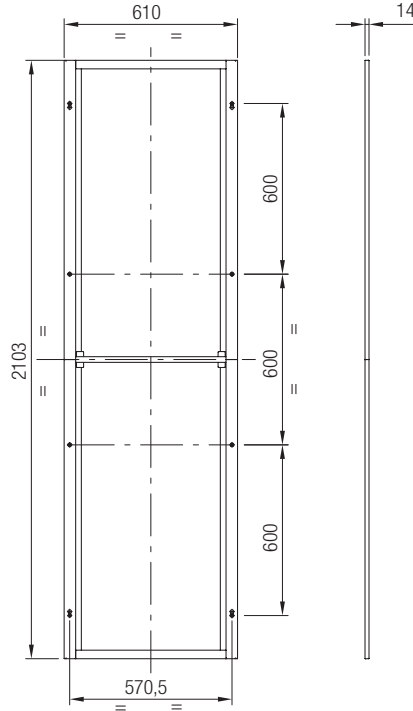




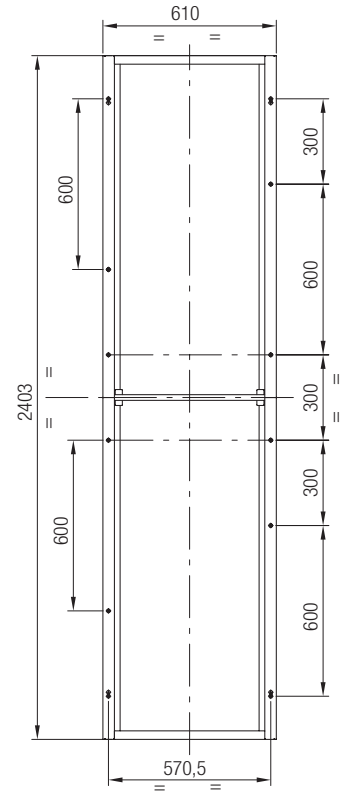




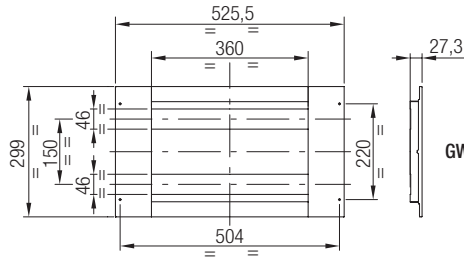
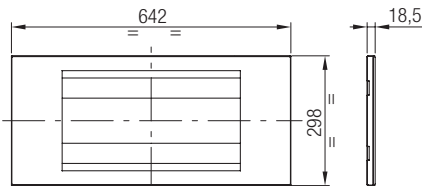
GWN1042XB / (H 2400)



GWN1043XB / (H 2700)

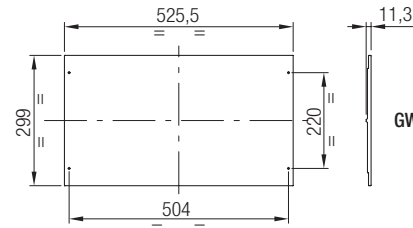
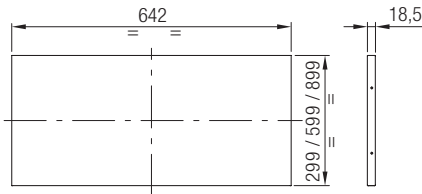


GWN1051XB / (H 300)



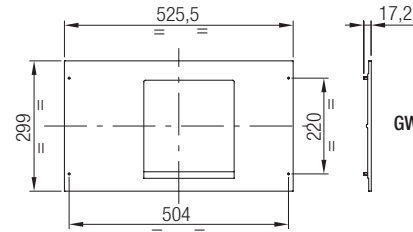
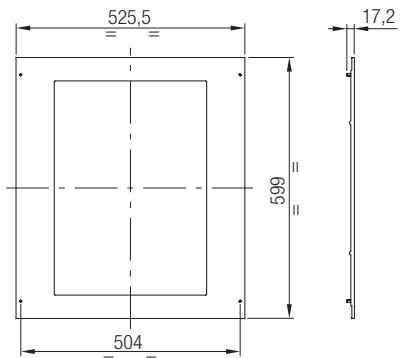
GWN1121XB / (H 300)

GWN1062XB / (H 300)
GWN1064XB / (H 600)
GWN1066XB / (H 900)



GWN1124XB / (H 300)

GWN1122XB / (H 600)



GWN1123XB / (H 300)

Punto di contatto indicato in adempimento ai fini delle direttive e regolamenti UE applicabili:
Contact details according to the relevant European Directives and Regulations:

GEWISS S.p.A. Via A.Volta, 1 IT-24069 Cenate Sotto (BG) Italy tel: +39 035 946 111 E-mail: qualitymarks@gewiss.com



+39 035 946 111
8.30 - 12.30 / 14.00 - 18.00
lunedì - venerdì - monday - friday



+39 035 946 260



sat@gewiss.com
www.gewiss.com