



# MASTER VALUE LEDspot PAR

## MAS LEDspot VLE D 9.5-75W 930 PAR30S 25D

With its robust design and warm-white beam of light, these new-generation PAR lamps are ideal for general lighting and spot lighting in the hospitality industry. It's a dimmable solution. They are especially suitable for public areas such as lobbies, corridors, stairwells, where the light is always on. The product offers more energy saving comparing with normal LED spots.

### Product data

General Information	
Cap-Base	E27 [E27]
EU RoHS compliant	Yes
Nominal lifetime	25,000 hour(s)
Switching Cycle	50,000
Lighting Technology	LED
Flux measurement reference	Narrow Cone
Brand	Philips
Light Technical	
Color Code	930 [CCT of 3000K]
Beam Angle (Nom)	25 degree(s)
Luminous Flux	760 lumen
Luminous Intensity (Nom)	3,000 cd
Color Designation	White (WH)
Correlated Color Temperature (Nom)	3000 K
Luminous Efficacy (rated) (Nom)	80 lm/W
Color Consistency	<6
Color rendering index (CRI)	90
LLMF At End Of Nominal Lifetime (Nom)	70 %

Luminous Flux in 90° Cone (Rated)	760 lumen
Operating and Electrical	
Line Frequency	50 to 60 Hz
Input Frequency	50 to 60 Hz
Power Consumption	9.5 W
Lamp Current (Nom)	60 mA
Wattage Equivalent	75 W
Starting Time (Nom)	0.5 s
Warm-up time to 60% light	0.5 s
Power Factor (Fraction)	0.7
Voltage (Nom)	220-240 V
Temperature	
T-Case Maximum (Nom)	80 °C
Controls and Dimming	
Dimmable	Only with specific dimmers

# MASTER VALUE LEDspot PAR

## Mechanical and Housing

Bulb Finish	Clear
Bulb Shape	PAR30S [PAR 3.75 inch/95mm Short]

## Approval and Application

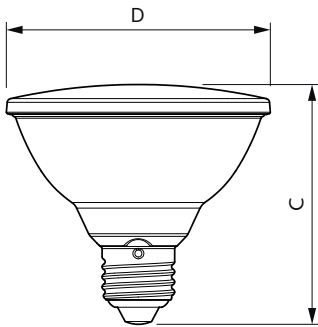
Suitable For Accent Lighting	Yes
Energy Consumption kWh/1000 h	10 kWh
EPREL Registration Number	1,121,747

## Product Data

Full product code	871951444322800
Order product name	MAS LEDspot VLE D 9.5-75W 930 PAR30S 25D

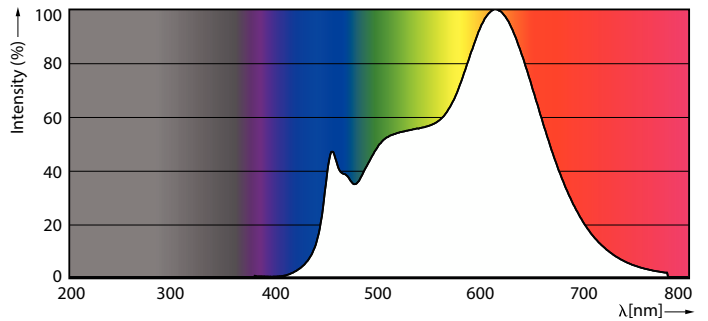
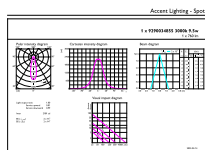
Order code	929003485502
Numerator - Quantity Per Pack	1
Numerator - Packs per outer box	6
Material number (12NC)	929003485502
Net weight	0.160 kg
Full product name	MAS LEDspot VLE D 9.5-75W 930 PAR30S 25D
EAN/UPC - Case	8719514443235

## Dimensional drawing



Product	D	C
MAS LEDspot VLE D 9.5-75W 930 PAR30S 25D	95 mm	86 mm

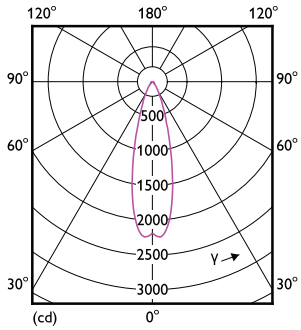
## Photometric data



Spectral Power Distribution Colour - MAS LEDspot VLE D 9.5-75W 930 PAR30S 25D

# MASTER VALUE LEDspot PAR

## Photometric data



Light Distribution Diagram - MAS LEDspot VLE D 9.5-75W 930 PAR30S 25D

## Lifetime



Life Expectancy Diagram - MAS LEDspot VLE D 9.5-75W 930 PAR30S 25D



Lumen Maintenance Diagram - MAS LEDspot VLE D 9.5-75W 930 PAR30S 25D

