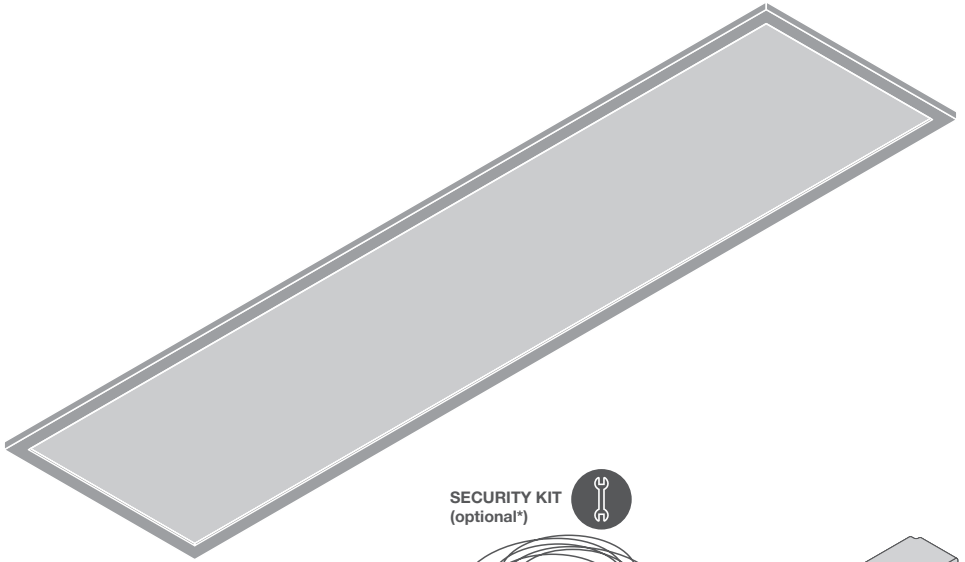
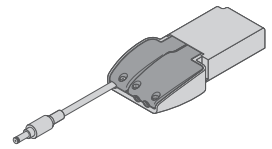

BIOLUX HCL PANEL 1200 TW DALI

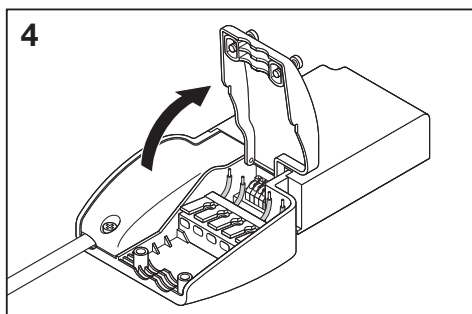
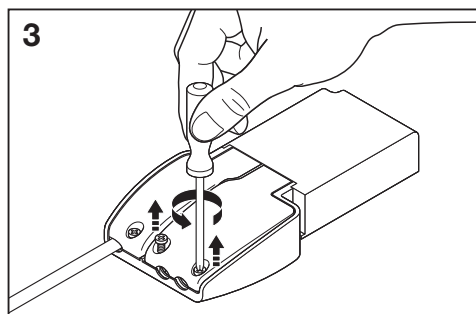
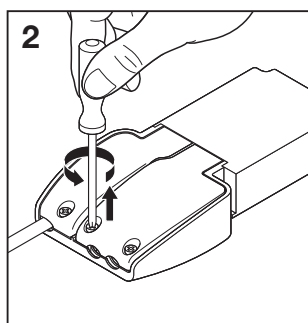
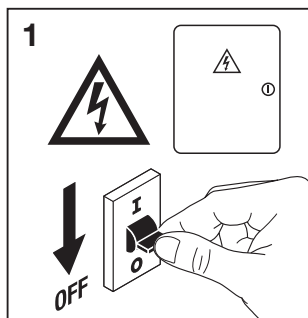
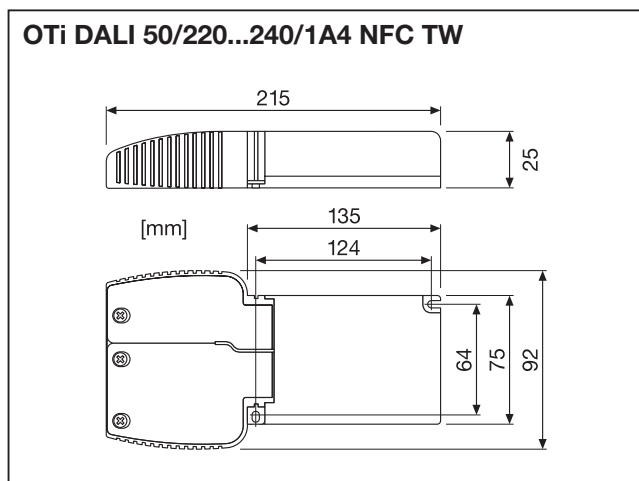
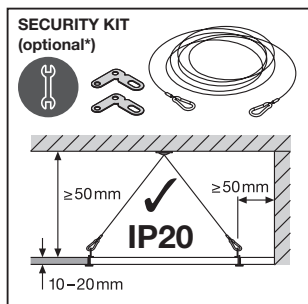
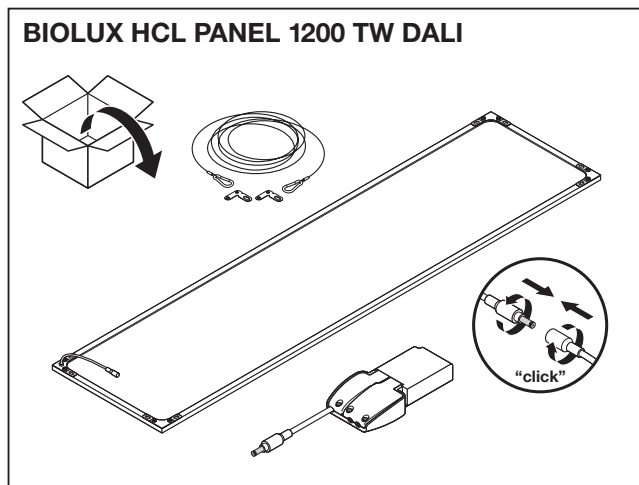


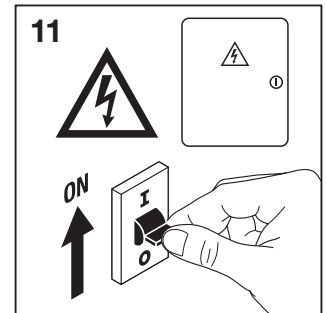
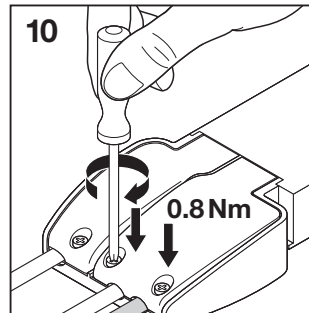
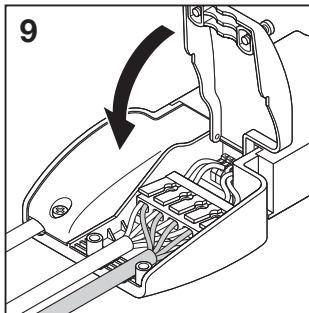
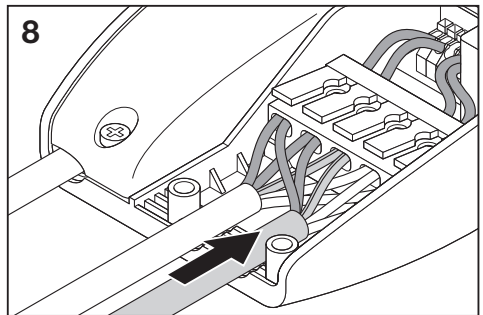
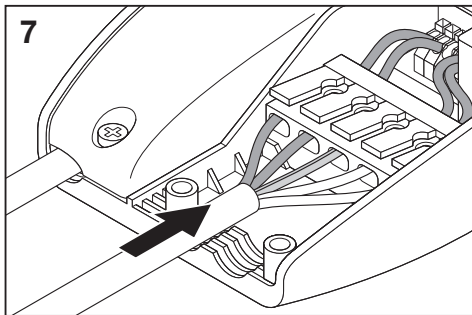
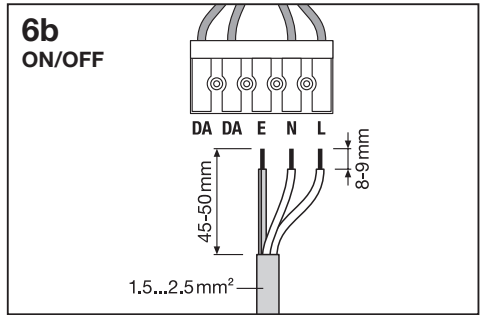
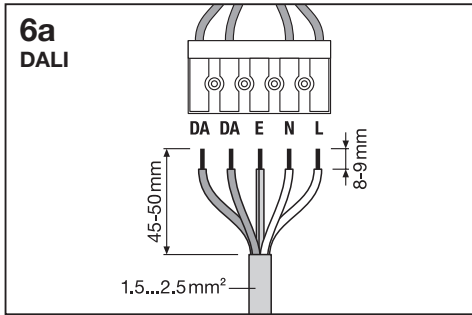
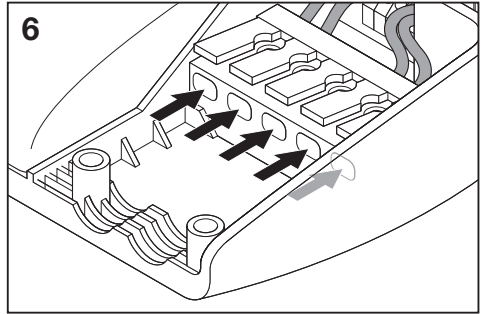
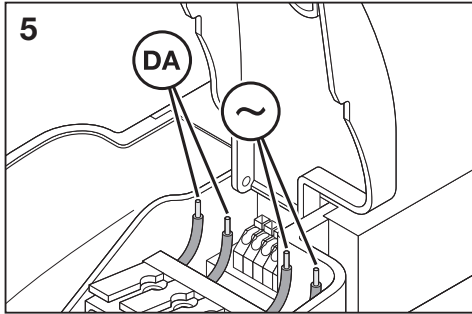
SECURITY KIT
(optional*)



	EAN	l x w x h [mm]	W	V _{AC}	Hz	lm	lm/W
BIOLUX HCL PL 1200 S 40W TW DALI	4099854140228	1195x295x11	40	220-240	0/50/60	4100	102

	EAN	K	IP	IK	∇	R _a	° (°C)	PF	👤
BIOLUX HCL PL 1200 S 40W TW DALI	4099854140228	2700-6500	20	02	90°	≥90	-20...+40	>0.9	3.3 kg





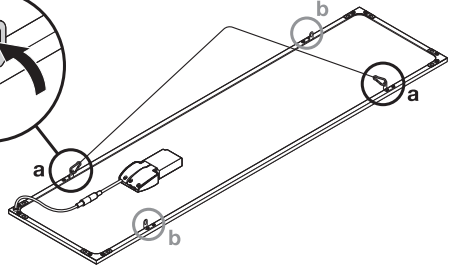
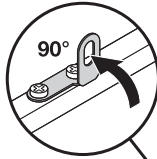
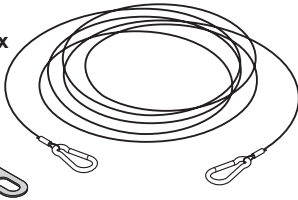
SECURITY KIT (optional*)



1x

4x

2x



* (D) Optional (E) En option (I) Opzionale (E) Opcional (P) Opcional (GR) Προαιρετικό (NL) Optioneel (S) Tillval (TM) Optio (N) Alternativ (OK) Ekstraudstyr (CZ) Volitelné (RU) Опционально (AZ) Qosymsha (H) Opcionális (PL) Opcjonalnie (SK) Voliteľné (HU) Izбирно (TR) Opsiyonel (HR) Opcionalno (RO) Opțional (BG) По избор (SE) Mittekohustuslik (IT) Pasirenkamas (LV) Pēc izvēles (SRB) Opcija (UA) Пропонується додатково

ACCESSORIES

- SURFACE MOUNT KIT
- SURFACE MOUNT KIT VALUE
- SUSPENSION KIT
- RECESSED MOUNT FRAME
- RECESSED MOUNT CLIPS

(D)



(GB)

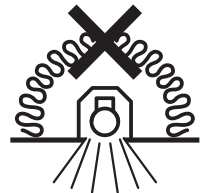


≤ 16 A	B10	B16	B25	B32	C10	C16	DALI	t _c
BIOLUX HCL PL 1200 S 40W TW DALI	14x	23x	35x	46x	23x	36x	OSRAM OTI DALI 50/ 220...240/ 1A4 NFC TW	< 75°C

LEDVANCE
VIVARES
DALI System



DALI-2
Systems

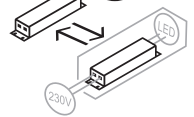


CE UK CA

ERC



LEDVANCE GmbH
Steinerne Furt 62
86167 Augsburg, Germany
www.ledvance.com



(FR)
Cet appareil et
ses accessoires
se recyclent



Points de collecte sur www.quefaireedemesdechets.fr

C10449057
G11174093

14.07.23

© LEDVANCE Ltd, Aquila House
Delta Crescent, Westbrook, Warrington
WA5 7NR, United Kingdom