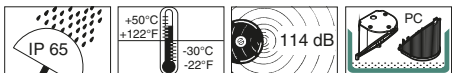
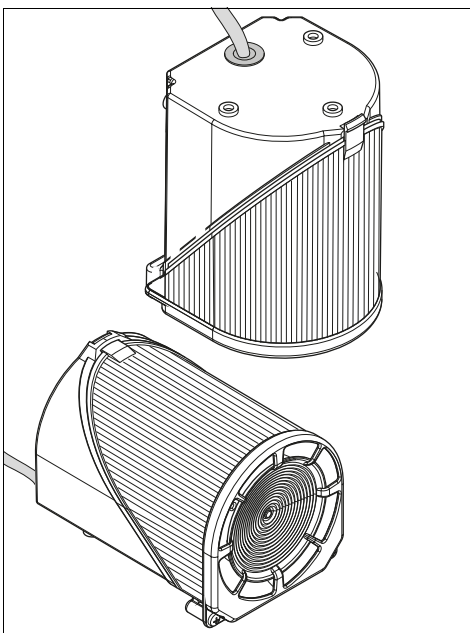


IEC 62080



144 000 66 444 xx0 66
144 000 67 444 xx0 67
144 000 75 444 xx0 75 444 xx0 68



WERMA Signaltechnik GmbH + Co. KG
D-78604 Rietheim-Weilheim
Telefon +49 (0)7424 / 9557-0
Telefax +49 (0)7424 / 9557-44
info@werma.com
www.werma.com

DE Anschluss **ausschließlich** durch ausgebildete Elektro-Fachkräfte.

GB Electrical connection is to be made by trained electrical specialists **only**.

FR Le branchement doit **uniquement** être effectué par des professionnels.

IT Il collegamento deve essere eseguito **solo** da elettricisti specializzati.

ES La conexión **sólo** debe ser realizada por electricistas debidamente formados.

PT A ligação deve ser feita **exclusivamente** por profissional elétrico especializado.

NL De aansluiting mag **enkel** gebeuren door erkende vakmensen.

CZ Připojení smí **provádět** pouze kvalifikovaný personál.

PL Podłączenie **wyłącznie** przez specjalistów-elektryków.

FI Liittäminen kuuluu **ainoastaan** koulutettujen sähköalan ammattilaisten tehtäviin.

RU Подключение проводится только специалистом-электриком.

TR Bağlantı **sadece** eğitimli elektrik teknisyenleri tarafından yapılmalıdır.

CN 布线需由专业电工执行

444 x10 xx

DE Bei Epilepsie ungeeignet!

GB Unsuitable for epilepsy sufferers.

FR Ne convient pas aux personnes souffrant d'épilepsie.

IT Inadatto per epilettici.

ES Inadecuado para epilépticos.

NL Niet geschikt voor epileptici.

PT Não aconselavel a pessoas que sofrem de Epilepsia.

CZ Nevhodné pro epileptiky.

PL Nie stosować przy zchorzeniu padaczki.

FI Ei soveltu epileptikoille.

RU Не подходит для страдающих эпилепсией.

TR Epilepsi hastalığı olanların kullanmaması önerilir.

CN 不适用于癫痫病患者



I (U)

	U		
144 000 75	24 V AC / DC	200 mA	-
144 000 66	48 V AC 50/60 Hz	140 mA	-
144 000 67	115 V AC 50/60 Hz	55 mA	-
144 000 68	230 V AC 50/60 Hz	30 mA	-
444 x00 75	24 V AC / DC	200 mA	60 mA
444 x00 66	48 V AC 50/60 Hz	140 mA	40 mA
444 x00 67	115 V AC 50/60 Hz	55 mA	30 mA
444 x00 68	230 V AC 50/60 Hz	30 mA	30 mA
444 x10 75	24 V AC / DC	200 mA	80 mA
444 x10 66	48 V AC 50/60 Hz	140 mA	45 mA
444 x10 67	115 V AC 50/60 Hz	55 mA	30 mA
444 x10 68	230 V AC 50/60 Hz	30 mA	30 mA



(vgl. Abb. 4,8 / see Fig. 4,8 / ref. III 4,8)

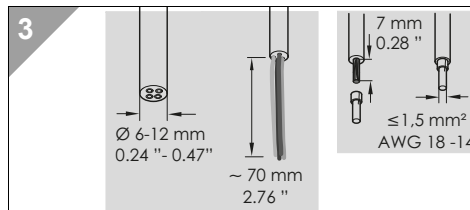
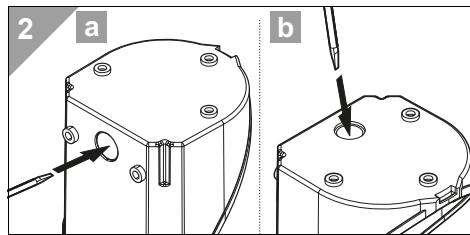
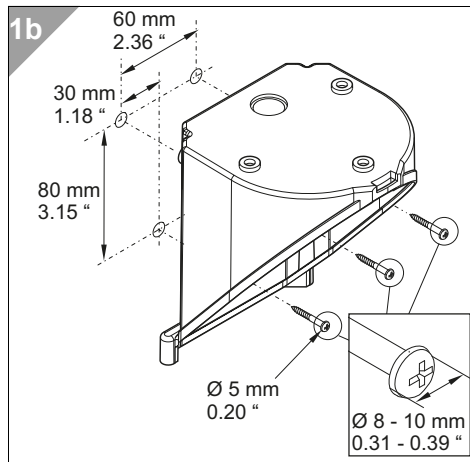
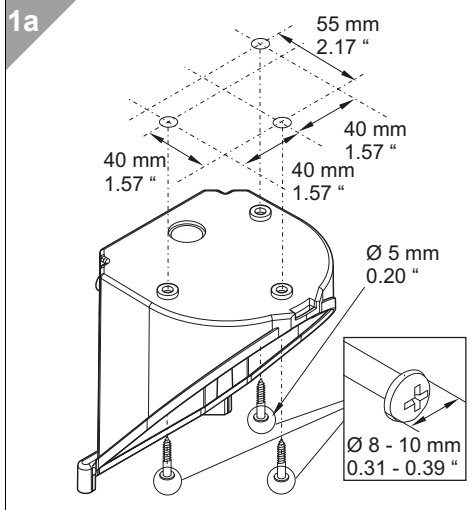
Ton Tone Ton 1	Code	Tonart Tone type Tonalité	Frequenz Frequencies Fréquence	Beschreibung Description Description	Einsatz Use Utilisation	Ton Tone Ton 2	Ton Tone Ton 3
1	00000	Dauerton, continuous, continuu	200		BS 5839-1: 2002, VDS	440Hz cont.	554Hz cont.
2	00001	ansteigend, rising, montant	800 & 970	7Hz		14	800Hz cont.

3	00010	ansteigend, rising, montant	800 to 970	1Hz			14	800Hz cont.
4	00011	Dauerton, continuous, continuu	2850				14	9
5	00100	ansteigend, rising, montant	2400 to 2850	7Hz	VDS		4	2400Hz z cont.
6	00101	ansteigend, rising, montant	2400 to 2850	1Hz			4	2400Hz z cont.
7	00110	ansteigend, rising, montant	500 to 1200	3s, then 0.5s OFF (then repeat)			14	8
8	00111	abfallend, falling, incliné	1200 to 500	1Hz	VDS		14	7
9	01000	alternierend, alternating, alternant	2400 & 2850	2Hz			4	2400Hz z cont.
10	01001	pulsierend, pulse, pulsant	970	0.5Hz (1s On/1s Off)	BS 5839-1: Teil 1 1988		14	800Hz cont.
11	01010	alternierend, alternating, alternant	800 & 970	1Hz	BS 5839-1: Teil 1 1988		14	800Hz cont.
12	01011	pulsierend, pulse, pulsant	2850	0.5Hz			4	22
13	01100	pulsierend, pulse, pulsant	970	0.25s On/1s Off			14	800Hz cont.
14	01101	Dauerton, continuous, continuu	970		BS 5839-1: 2002 PFEER - Toxic gas		10	8
15	01110	alternierend, alternating, alternant	554 & 440		France NFS		14	800Hz cont.
16	01111	pulsierend, pulse, pulsant	660	150ms On/ 150ms Off	Swedish		16	14
17	10000	pulsierend, pulse, pulsant	660	1.8s On/ 1.8s Off	Swedish		17	14
18	10001	pulsierend, pulse, pulsant	660	6.5s On/ 13s Off	Swedish		18	14
19	10010	Dauerton, continuous, continuu	660		Swedish		19	31
20	10011	alternierend, alternating, alternant	554 & 440	0.5Hz			20	19
21	10100	pulsierend, pulse, pulsant	660	1Hz	Swedish		21	4
22	10101	pulsierend, pulse, pulsant	2850	150ms On/ 100ms Off	GB		14	4
23	10110	ansteigend, rising, montant	800 to 970	50Hz (niedrig, low, faible)	BS 5839-1: Teil 1 1988		14	800Hz cont.
24	10111	ansteigend, rising, montant	2400 to 2850	50Hz (hoch, high, fréquence élevée)			4	2400Hz z cont.
25	11000	pulsierend, pulse, pulsant	970	3x500ms ON/500ms OFF 1.5s Pause, dann Wiederholung, 3x500ms ON/ 500ms OFF 1.5s silence then repeat 3x500ms ON/ 500ms OFF 1.5s de pause et ensuite répétition (niedrig, low, faible)	ISO 8201/ US Temporal		26	14

26	11001	pulsierend, pulse, pulsant	2850	3x500ms ON/500ms OFF 1,5s Pause, dann Wiederholung, 3x500ms ON/500ms OFF 1,5s silence then repeat 3x500ms ON/500ms OFF 1,5s de pause et ensuite répétition (hoch, high, fréquence élevée)	ISO 8201/US Temporal	25	4
27	11010	Dauer- ton, continuous, continu	4000			27	6
28	11011	ansteigend, rising, montant	2000 to 2850	7Hz		2000 Hz cont.	4
29	11100	alternierend, alternating, alternant	988 & 645	2Hz		988Hz cont. 645Hz cont.	
30	11101	alternierend, alternating, alternant	510 & 610	2Hz		510Hz cont. 610Hz cont.	
31	11110	alternierend, alternating, alternant	800 & 970	2Hz	5639-1: 2002	800 cont.	14
32	11111	alternierend, alternating, alternant	800 & 1200	1Hz		800 cont. 1200Hz cont.	

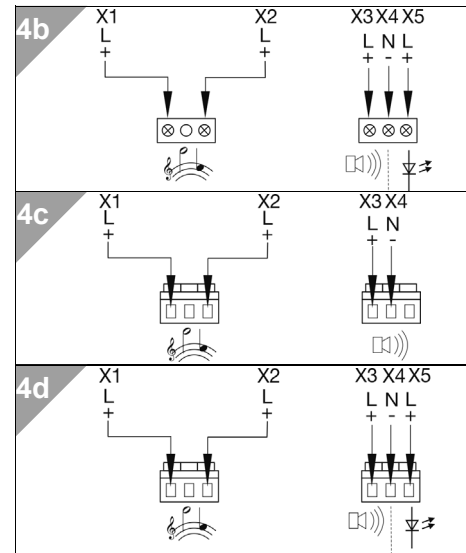
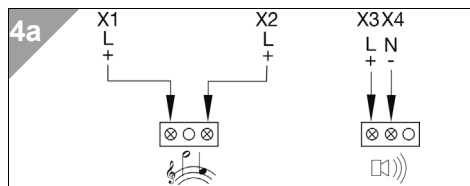


1a - 144, 444
1b - 144, 444

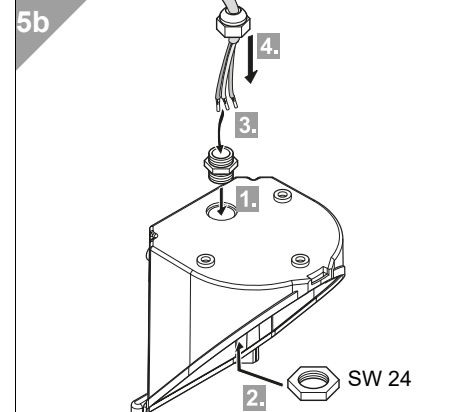
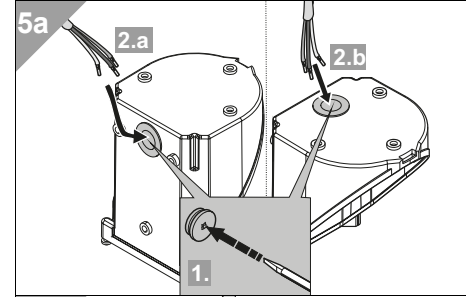


4a - 144 000 75, 144 000 66
4b - 444 xx0 75, 444 xx0 66
4c - 144 000 67, 144 000 68
4d - 444 xx0 67, 444 xx0 68

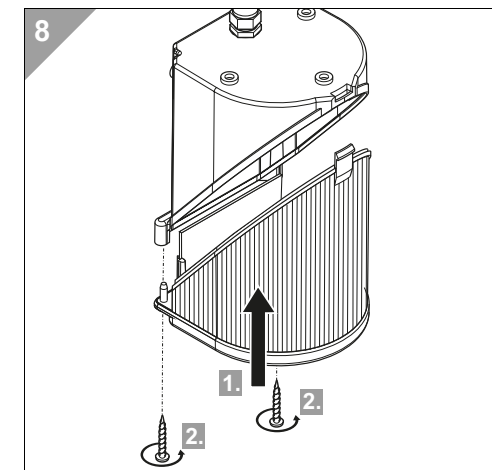
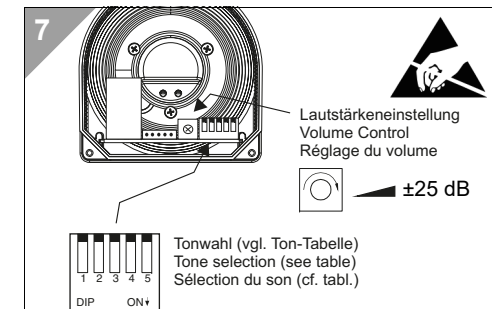
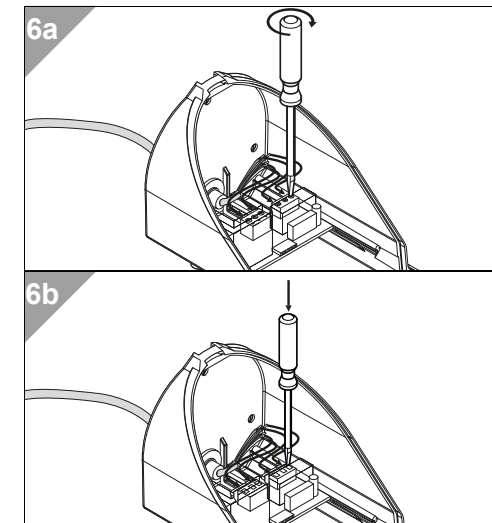
Tone 1	X3
Tone 2	X2 + X3
Tone 3	X1 + X3
	X5



5a - 144, 444
5b - 144, 444 + 975 444 01



6a - 144 000 75, 144 000 66, 444 xx0 75, 444 xx0 66
6b - 144 000 67, 144 000 68, 444 xx0 67, 444 xx0 68



931044400101_AG
310.444.001

