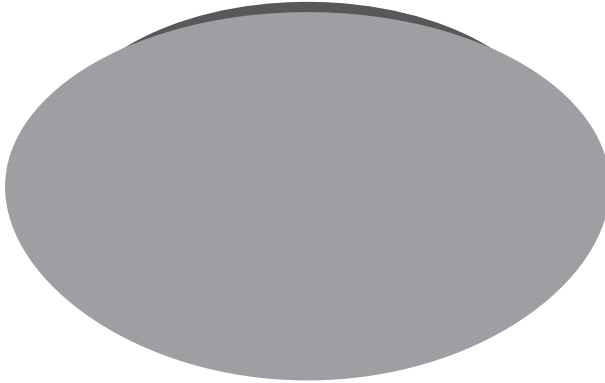
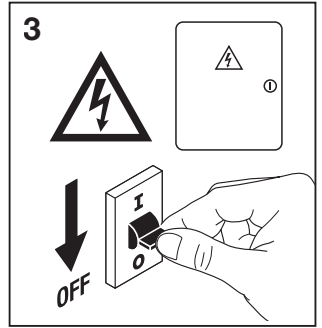
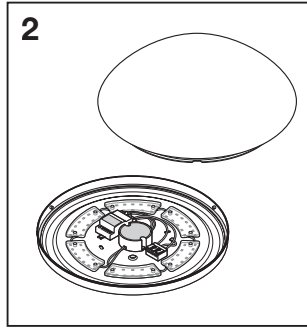
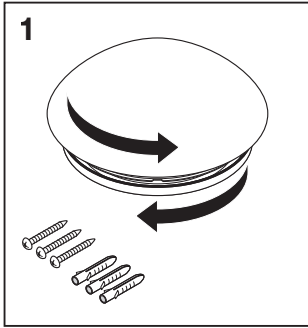

SURFACE CIRCULAR

SURFACE CIRCULAR SENSOR



| | EAN | Ø x h [mm] | W | lm | lm/W | K | IP | IK |
|-----------------------------|---------------|------------|----|------|------|------|----|----|
| SF CIRCULAR 250 13W/3000K | 4058075110120 | 250x91 | 13 | 920 | 70 | 3000 | 44 | 03 |
| SF CIRCULAR 250 13W/4000K | 4058075110144 | 250x91 | 13 | 960 | 75 | 4000 | 44 | 03 |
| SF CIRCULAR 250 13W/3000K S | 4058075314894 | 250x91 | 13 | 920 | 70 | 3000 | 44 | 03 |
| SF CIRCULAR 250 13W/4000K S | 4058075314917 | 250x91 | 13 | 960 | 75 | 4000 | 44 | 03 |
| SF CIRCULAR 350 18W/3000K | 4058075080010 | 350x115 | 18 | 1440 | 80 | 3000 | 44 | 03 |
| SF CIRCULAR 350 18W/4000K | 4058075080034 | 350x115 | 18 | 1440 | 80 | 4000 | 44 | 03 |
| SF CIRCULAR 350 18W/3000K S | 4058075314931 | 350x115 | 18 | 1440 | 80 | 3000 | 44 | 03 |
| SF CIRCULAR 350 18W/4000K S | 4058075314955 | 350x115 | 18 | 1440 | 80 | 4000 | 44 | 03 |
| SF CIRCULAR 400 24W/3000K | 4058075080058 | 400x120 | 24 | 1920 | 80 | 3000 | 44 | 03 |
| SF CIRCULAR 400 24W/4000K | 4058075080072 | 400x120 | 24 | 1920 | 80 | 4000 | 44 | 03 |
| SF CIRCULAR 400 24W/3000K S | 4058075314979 | 400x120 | 24 | 1920 | 80 | 3000 | 44 | 03 |
| SF CIRCULAR 400 24W/4000K S | 4058075314993 | 400x120 | 24 | 1920 | 80 | 4000 | 44 | 03 |

| | EAN | ⊖ (°C) | V _{Ac} | Hz | ∠ | PF | R _a | 👤 |
|-----------------------------|---------------|-----------|-----------------|---------|------|-------|----------------|--------|
| SF CIRCULAR 250 13W/3000K | 4058075110120 | -20...+40 | 220-240V | 50/60Hz | 120° | > 0.5 | > 80 | 0.3 kg |
| SF CIRCULAR 250 13W/4000K | 4058075110144 | -20...+40 | 220-240V | 50/60Hz | 120° | > 0.5 | > 80 | 0.3 kg |
| SF CIRCULAR 250 13W/3000K S | 4058075314894 | -20...+40 | 220-240V | 50/60Hz | 120° | > 0.5 | > 80 | 0.3 kg |
| SF CIRCULAR 250 13W/4000K S | 4058075314917 | -20...+40 | 220-240V | 50/60Hz | 120° | > 0.5 | > 80 | 0.3 kg |
| SF CIRCULAR 350 18W/3000K | 4058075080010 | -20...+40 | 220-240V | 50/60Hz | 120° | > 0.5 | > 80 | 0.6 kg |
| SF CIRCULAR 350 18W/4000K | 4058075080034 | -20...+40 | 220-240V | 50/60Hz | 120° | > 0.5 | > 80 | 0.6 kg |
| SF CIRCULAR 350 18W/3000K S | 4058075314931 | -20...+40 | 220-240V | 50/60Hz | 120° | > 0.5 | > 80 | 0.7 kg |
| SF CIRCULAR 350 18W/4000K S | 4058075314955 | -20...+40 | 220-240V | 50/60Hz | 120° | > 0.5 | > 80 | 0.7 kg |
| SF CIRCULAR 400 24W/3000K | 4058075080058 | -20...+40 | 220-240V | 50/60Hz | 120° | > 0.5 | > 80 | 0.7 kg |
| SF CIRCULAR 400 24W/4000K | 4058075080072 | -20...+40 | 220-240V | 50/60Hz | 120° | > 0.5 | > 80 | 0.7 kg |
| SF CIRCULAR 400 24W/3000K S | 4058075314979 | -20...+40 | 220-240V | 50/60Hz | 120° | > 0.5 | > 80 | 0.8 kg |
| SF CIRCULAR 400 24W/4000K S | 4058075314993 | -20...+40 | 220-240V | 50/60Hz | 120° | > 0.5 | > 80 | 0.8 kg |



IP44

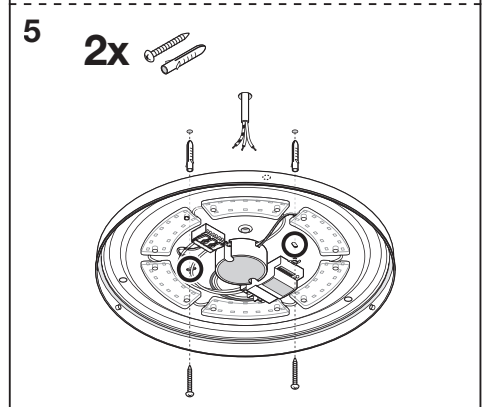
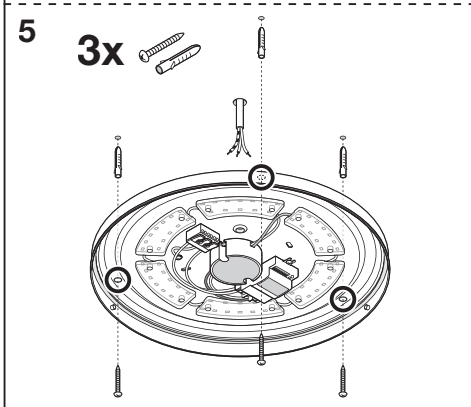
4

| [mm] | d |
|----------------------|-----|
| SURFACE CIRCULAR 250 | 157 |
| SURFACE CIRCULAR 350 | 223 |
| SURFACE CIRCULAR 400 | 266 |

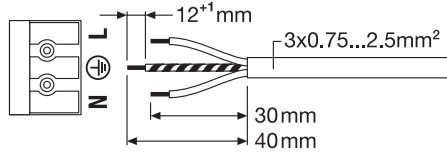
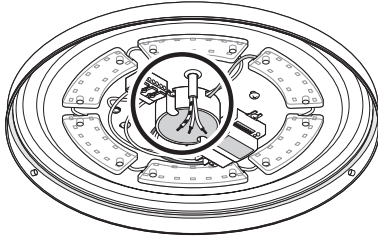
IP20

4

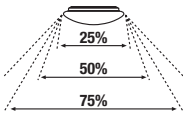
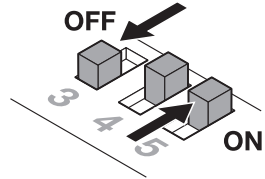
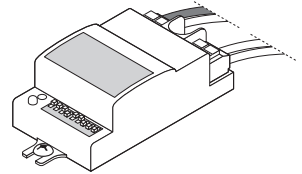
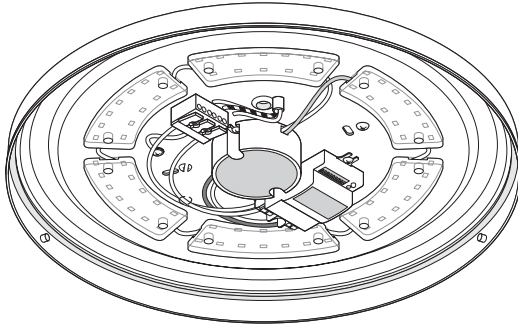
| [mm] | s |
|----------------------|-----|
| SURFACE CIRCULAR 250 | 110 |
| SURFACE CIRCULAR 350 | 95 |
| SURFACE CIRCULAR 400 | 130 |



6



7: SURFACE CIRCULAR SENSOR



Detection Area

| 1 | 2 | 3 | |
|----|----|----|-------|
| ON | ON | ON | 100 % |
| - | ON | ON | 75 % |
| ON | - | ON | 50 % |
| - | - | ON | 25 % |
| - | - | - | 10 % |



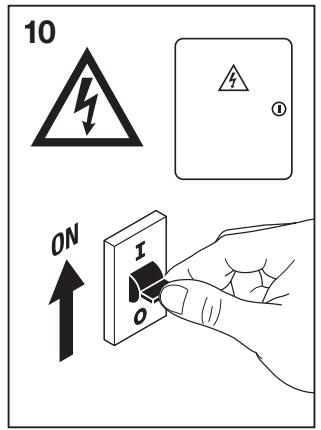
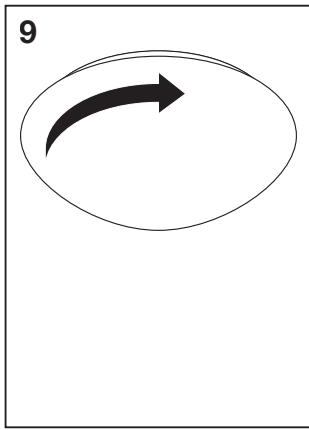
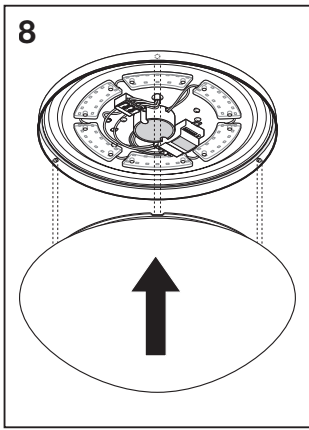
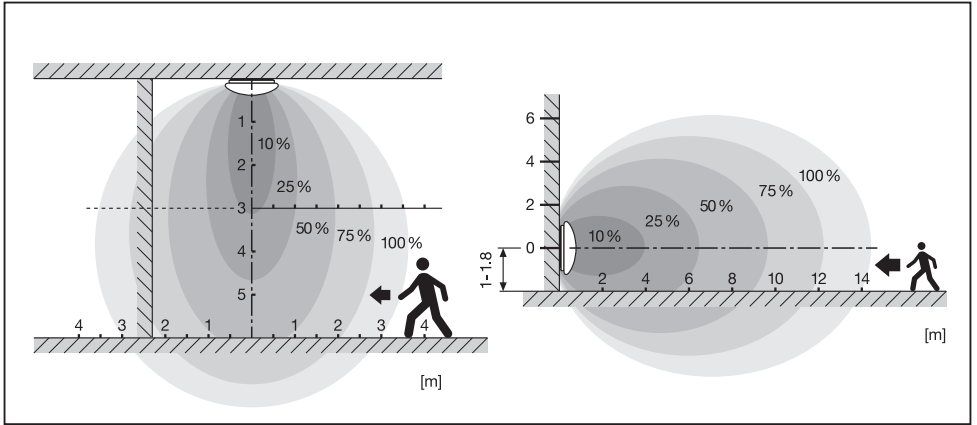
Hold Time

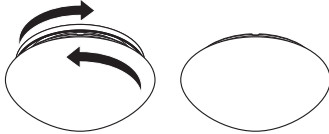
| 4 | 5 | 6 | |
|----|----|----|--------|
| ON | ON | ON | 5 s |
| - | ON | ON | 30 s |
| ON | - | ON | 90 s |
| - | - | ON | 3 min |
| ON | ON | - | 20 min |
| - | - | - | 30 min |



Daylight Sensor

| 7 | 8 | 9 | |
|----|----|----|---------|
| ON | ON | ON | 2 LUX |
| ON | ON | - | 10 LUX |
| - | ON | - | 25 LUX |
| ON | - | - | 50 LUX |
| - | - | - | Disable |



|  | EAN | Ø x h [mm] |
|--|---------------|------------|
| SF CIRCULAR 250 COVER | 4058075156722 | 250x80 |
| SF CIRCULAR 350 COVER | 4058075156807 | 350 x 104 |
| SF CIRCULAR 400 COVER | 4058075156821 | 400 x 112 |




 RoHS



C10449057
 G11072557
 12.04.19



LEDVANCE GmbH
 Steinerne Furt 62
 86167 Augsburg, Germany
www.ledvance.com