

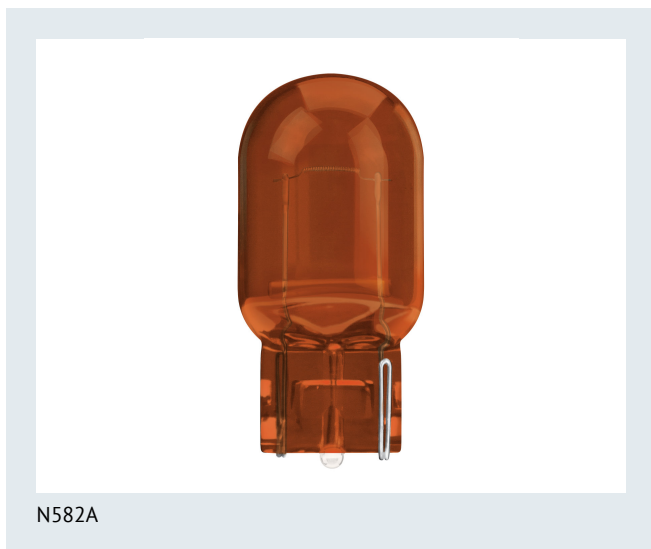


# NEOLUX®

GERMAN TECHNOLOGY

## Standard 21 W 12 V W3x16d

Whether you're a passionate biker or an occasional rider – NEOLUX always has the right lamp to enhance your riding experience. Thanks to technology specifically developed for motorcycles, NEOLUX motorcycle lamps with halogen technology are vibration-resistant.



N582A

### Product family benefits

- Suitable for the most common signal and interior applications
- Affordable
- Reliable manufacturer
- For good visibility
- Reliable products

### Product family features

- Broad product range
- Good quality thanks to German technology
- Lamps for exterior applications are ECE certified
- Normed light output
- Basis for good light distribution

### Areas of application

- Position and parking light
- Indicator, brake, fog and reversing lights
- Number plate and side position lights
- Interior lighting and reading lights
- Instrument and switch lighting



N582A

**Product information**

Application (Category and Product specific)	Auxiliary lamp
---	----------------

**Electrical data**

Power input	25 W
Test voltage	13.5 V
Power input tolerance	±6 %
Nominal wattage	21.00 W
Nominal voltage	12.0 V

**Photometrical data**

Luminous flux	280 lm
Luminous flux tolerance	±20 %

**Dimensions & weight**

Product weight	6.00 g
Length	47.5 mm
Diameter	20.0 mm

**Lifespan**

Lifespan Tc	600 h
Lifespan B3	400 h

**Additional product data**

Base (standard designation)	WX3x16d
-----------------------------	---------

**Certificates & standards**

ECE category	WY21W
--------------	-------

**Logistical data**

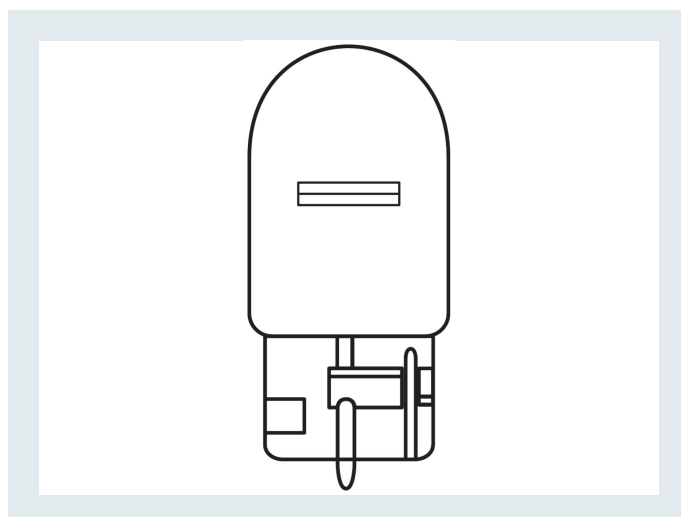
Order reference	N582A
-----------------	-------

**Environmental information**

Date of Declaration	19-01-2022
Primary Article Identifier	4052899276512   4055462301628
Candidate List Substance 1	No declarable substances contained
Declaration No. in SCIP database	In work

**Packaging Information**

Packaging description	EAN	Packaging type	Amount of article
NEOLUX N582A	4052899276512	Folding box	10



**NEOLUX**<sup>®</sup>  
GERMAN TECHNOLOGY

NEOLUX Automotive Lighting  
OSRAM GmbH

Marcel-Breuer-Str 6  
80807 Munich, Germany

Phone +49 89 6213-0  
Fax +49 89 6213-2020

[www.neolux-lighting.com](http://www.neolux-lighting.com)