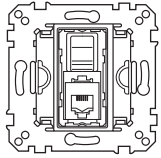


Telephone socket-outlet insert

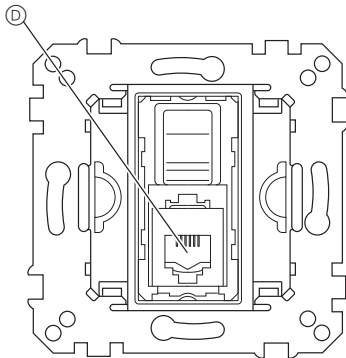
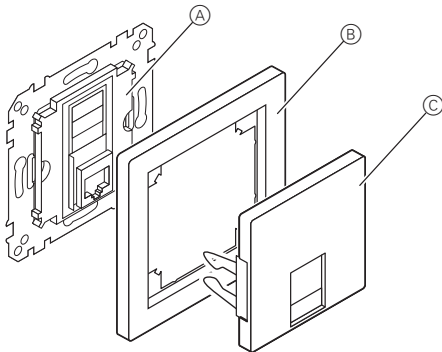
Operating instructions



Art. no. MTN463500, MTN463501

Telephone socket-outlet insert introduction

The telephone socket-outlet insert is intended for installation in a 60 mm flush-mounted socket. It has six contacts (MTN463500) or more than four contacts (MTN463501) and is used for connecting telephones, modems, fax machines etc. to a telephone network.

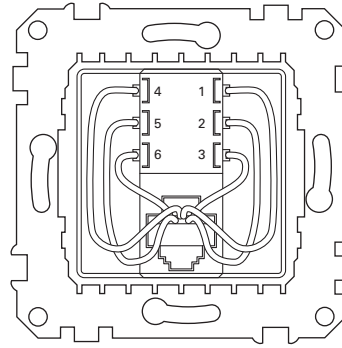


- Ⓐ Telephone socket-outlet insert
- Ⓑ Frame
- Ⓒ Central plate
- Ⓓ Telephone jack connection

Telephone socket-outlet insert completion

Complete the telephone socket-outlet insert with a frame and a central plate.

Telephone socket-outlet insert installation



- ① Connect the telephone cable on the rear side as follows:

MTN463500 (RJ12): Connection 1 - 6

MTN463501 (RJ11): Connection 2 - 5

Connection	Description	Colour		
1	2	Yellow	RJ11	RJ 12
2	TX	Red		
3	L2	White		
4	L1	Brown		
5	TS	Green		
6	T	Blue		

- ② Install the telephone socket-outlet insert in an at least 40 mm deep flush-mounted socket and fasten the telephone socket-outlet insert to the socket using two screws.
- ③ Put on the frame and central plate.

Technical data

RJ12:	Connections 1 - 6
RJ11:	Connections 2 - 5
Data transmission rate:	Kat3

Schneider Electric Industries SAS

If you have technical questions, please contact the Customer Care Center in your country.

www.schneider-electric.com

This product must be installed, connected and used in compliance with prevailing standards and/or installation regulations. As standards, specifications and designs develop from time to time, always ask for confirmation of the information given in this publication.