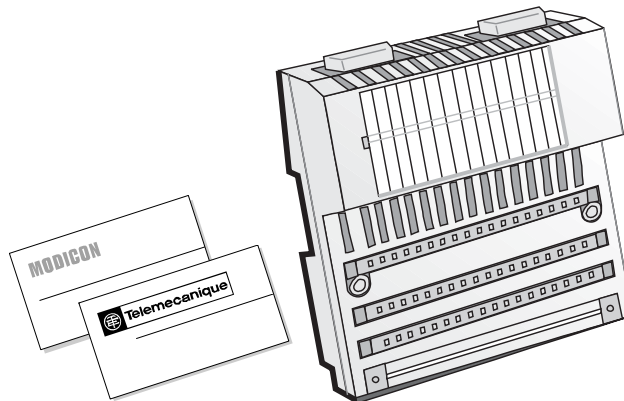


TSX Momentum 170 ADO 340 00

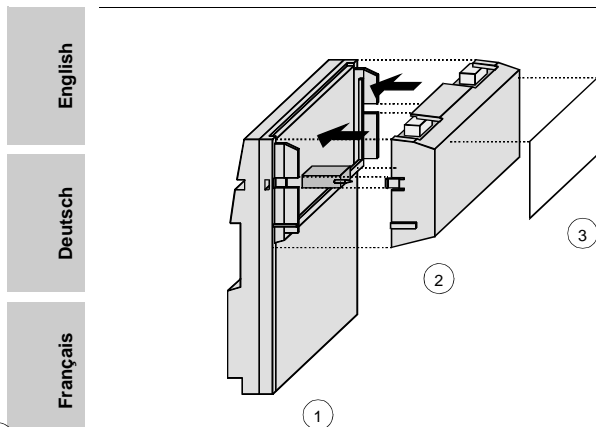


- English
- Deutsch
- Français
- Español
- Italiano
- Addendum



GROUPE SCHNEIDER

■ Merlin Gerin ■ Modicon ■ Square D ■ Telemecanique



- English
- Deutsch
- Français
- Español
- Italiano
- Addendum

- | | | |
|--------------------------|--------------------------------|---------------------------------------|
| 1. I/O base | 1. E/A-Einheit | 1. Embase |
| 2. Comm or CPU Adapter | 2. Bus- oder CPU-Adapter | 2. Communicateur ou module processeur |
| 3. Fill-in label | 3. Schiebeschild | 3. Etiquette d'identification |
| 1. Unidad de E/S | 1. Unità I/O | |
| 2. Adaptador de bus | 2. Attadore bus o adattore CPU | |
| 3. Etiqueta de inserción | 3. Targetta per siglatura | |

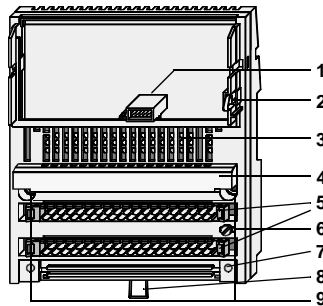
User Information

This I/O base operates only after a TSX Momentum Communication Adapter or Processor Adapter has been mounted on it. Assembly and installation instructions are provided in user manual 870 USE 002 00.

Basic Data

Module type	16 discrete outputs in 2 groups (8 outputs per group)
Operating and output voltages	24 VDC
Max. Load Current	0.5 A/output

English



1. Internal interface connector
2. Locking and ground contact for the adapter
3. LED status display
4. Protective cover
5. I/O terminal connector
6. Grounding screw
7. Mounting slot for a busbar
8. Locking tab for a DIN rail mount
9. Mounting holes for a panel mount

In the box:

I/O base, User information, Fill-in label, Set of keys

English

Connectors



Screw-type terminal block



Spring-clip terminal block

Set Screw-type terminal, 3 connectors	170 XTS 001 00
Set Spring-clip terminal, 3 connectors	170 XTS 002 00

Adapters

Adapter	Order Number	Documentation
Communication Adapters		
- Interbus	170 INT 110 00	870 USE 003 00
- Profibus DP	170 DNT 110 00	870 USE 004 00
- FIPI/O	170 FNT 110 00	870 USE 005 00
- Modbus Plus	170 PNT 110 20	870 USE 103 00
	170 PNT 160 20	870 USE 103 00
- DeviceNet	170 LNT 710 00	870 USE 104 00
Processor Adapters		
	171 CSS 700 00	870 USE 101 00
	171 CSS 700 10	870 USE 101 00
	171 CSS 760 00	870 USE 101 00
	171 CSS 780 00	870 USE 101 00
Option Adapter		
	172 JNN 210 32	870 USE 002 00
	172 PNN 210 22	870 USE 002 00
	172 PNN 260 22	870 USE 002 00

WARNING

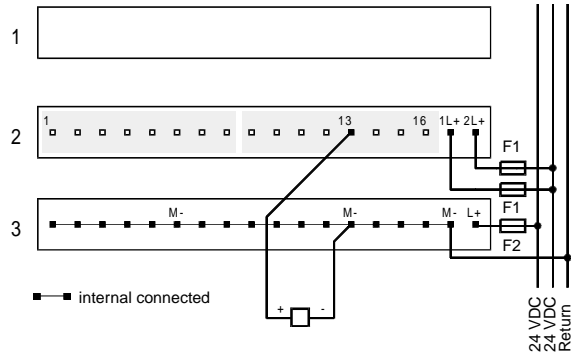
Electrical voltages are present when the I/O base is under power.



Make sure that power is OFF whenever the I/O base has not been fully assembled. This is achieved when all connectors are removed from the I/O base.

Failure to observe this precaution can result in severe injury or equipment damage.

Wiring



English

Fuses

External fuses (recommended)	F1 = max. 4 A fast-blow F2 = 315 mA fast-blow
------------------------------	--

English

Mapping of terminal block and busbar

Row	Terminal	Function
1	Not used	
2	1 ... 8	Outputs (group 1)
	9 ... 16	Outputs (group 2)
	17/18	24 VDC for output groups 1 and 2 (1L+, 2L+)
3	1 ... 16	Return (M-) for outputs
	17	Return (M-) for module and outputs
	18	+ 24 VDC Operating voltage (L+)



Note: Input and output pinouts are determined by the adapter and the programming software you use. For pinout assignment details, refer to the TSX Momentum I7O Base User Manual 870 USE 002 00.

Meets CE mark requirements for open equipment. Open equipment should be installed in an industry-standard enclosure, with access restricted to qualified service personnel.

English

Deutsch

Français

Español

Italiano

Addendum

English

Deutsch

Français

Español

Italiano

Addendum

April, Modicon, Square D and Telemecanique are trade names of Groupe Schneider for automation products. These products are marketed worldwide: In the US by Square D, in Canada, Latin America, Africa, Asia/Pacific, the Middle East and Europe by Schneider; in Germany by AEG Schneider Automation; in China and Golf region by Schneider Automation Inc.; in South Africa by ASA Systems Automation; in Australia by Schneider Automation Pty. Ltd.; in Israel by Afcon Control & Automation Ltd. and in Switzerland by Schneider Electric and GSY Industrieautomation AG.

Schneider Automation GmbH
Steinheimer Straße 117
D-63500 Seligenstadt
Tel.: (49) 61 82 81-0 - Fax: (49) 61 82 81-3306

Schneider Automation, Inc.
One High Street
North Andover, MA 01845, USA
Tel.: (1) 978 794 0800 - Fax: (1) 978 975 9010

Schneider Automation S. A.
245, Route des Lucioles - BP 147
F-06903 Sophia-Antipolis
Tel.: (33) 4 92 96 20 00 - Fax: (33) 4 93 65 37 15

710055.21

10/97