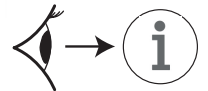
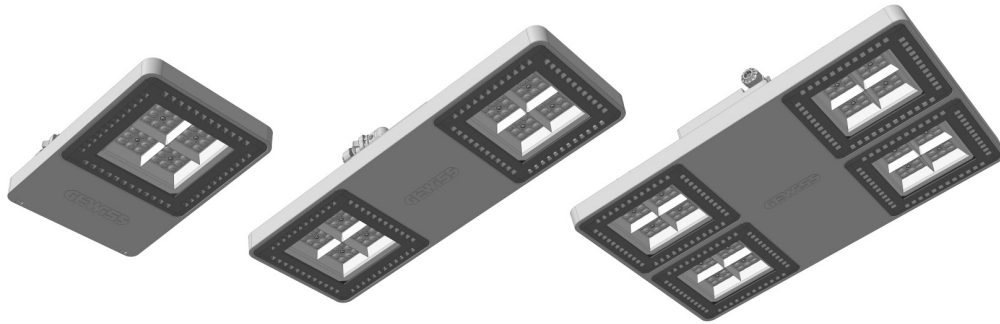
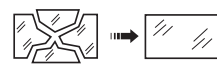


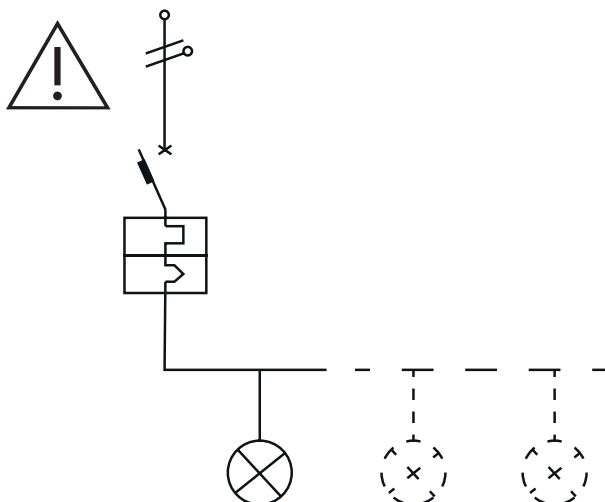
LOWBAY - HIGHBAY - FLOODLIGHTS



IP66

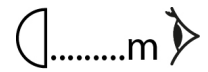


	Kg		
	3,5	0,097 m ²	0,029 m ²
	6,5	0,184 m ²	0,022 m ²
	13,5	0,35 m ²	0,045 m ²

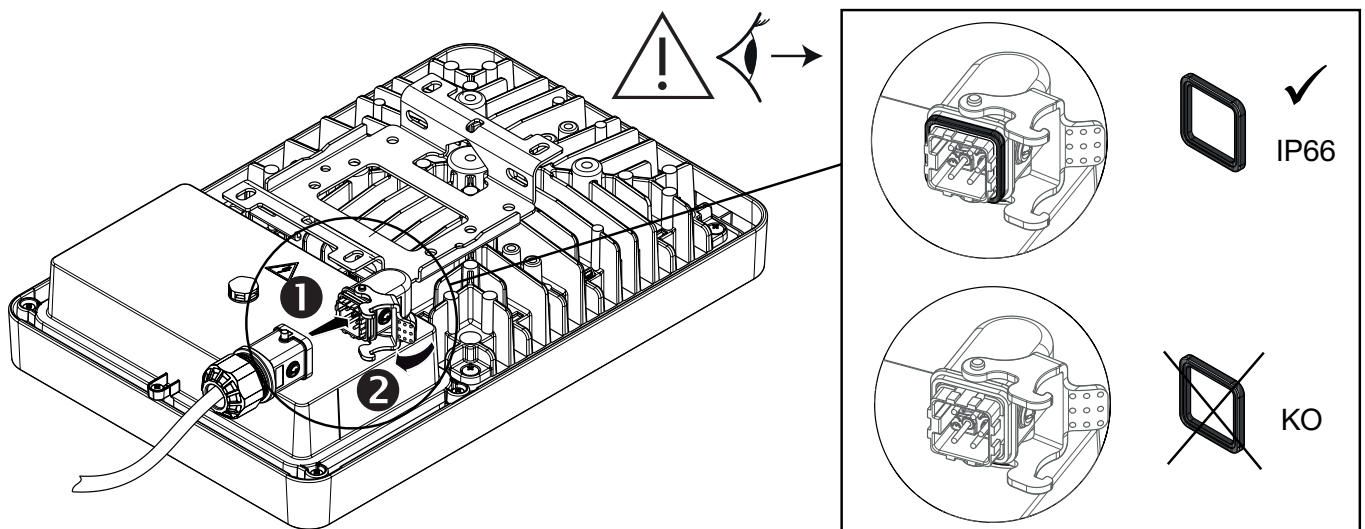
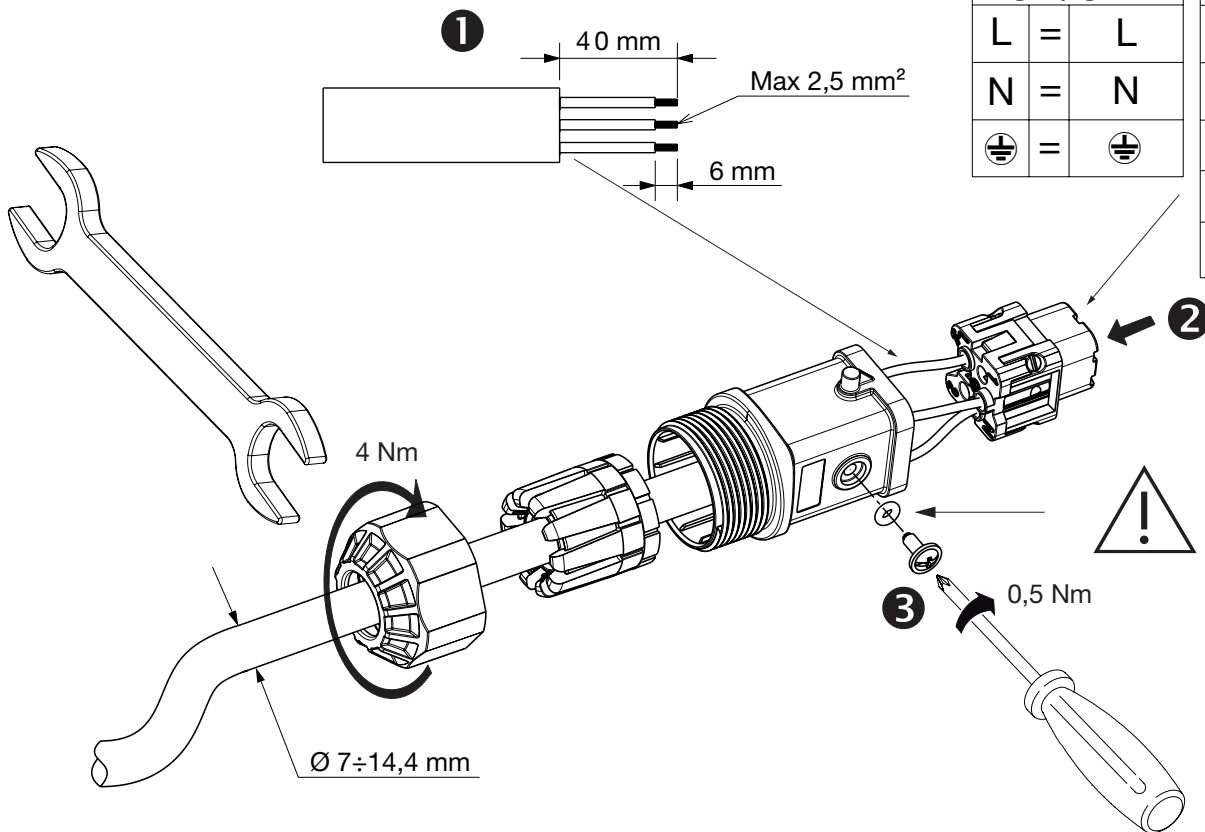


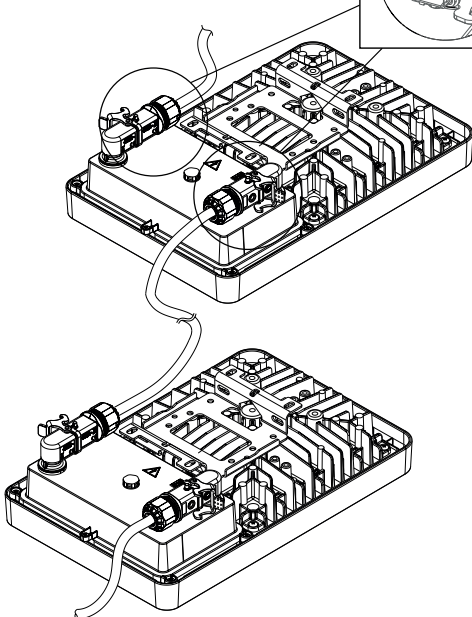
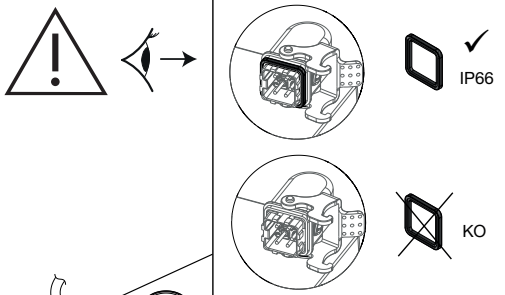
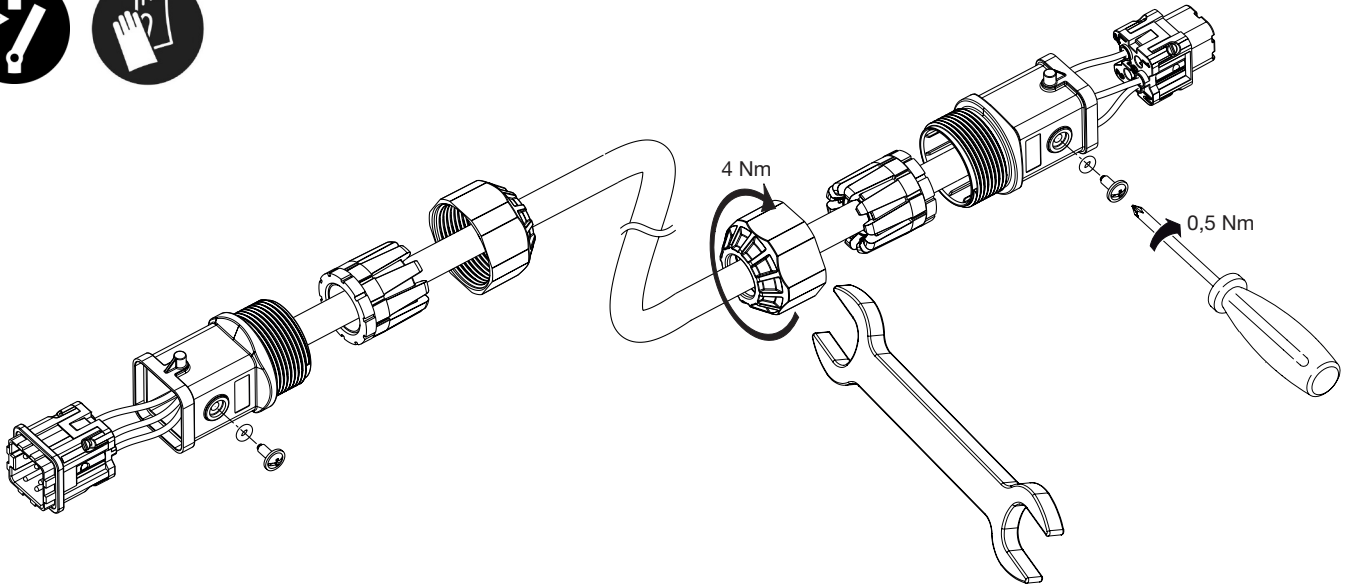
MCB current	10 A		16 A		20 A	
Max number of SMART[4] (Type B)						
	ON/OFF	DALI	ON/OFF	DALI	ON/OFF	DALI
SMART[4] 1M	6	6	10	10	12	12
SMART[4] 2M	4	4	7	7	8	8
SMART[4] 4M	2	4	4	7	5	8
Max number of SMART[4] (Type C)						
SMART[4] 1M	10	10	17	17	20	20
SMART[4] 2M	7	7	11	11	14	14
SMART[4] 4M	4	7	6	11	8	14

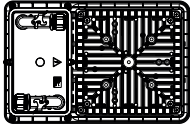
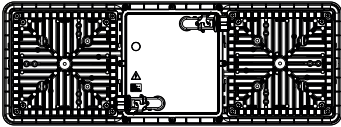
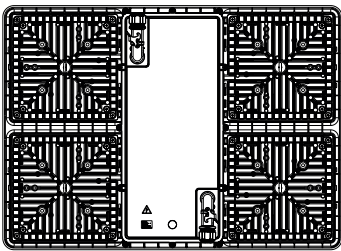

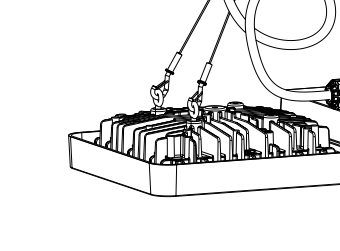

LED CCT:	≤ 6500 K		
	RG1:	RG0:	
	Smart[4] 1M / 2M / 4M	Smart[4] 1M	Smart[4] 2M / 4M
ARRAY	100 cm	400 cm	575 cm
90°	50 cm	450 cm	600 cm
60°	100 cm	500 cm	700 cm
30°	20 cm	850 cm	1200 cm
ASYMMETRICAL	20 cm	350 cm	475 cm
ELLIPTICAL	75 cm	425 cm	600 cm

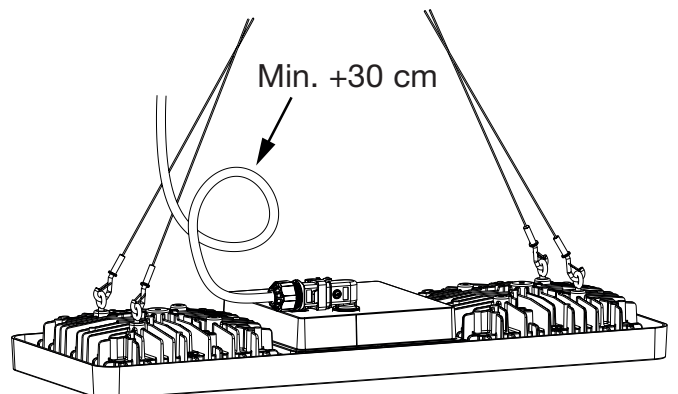
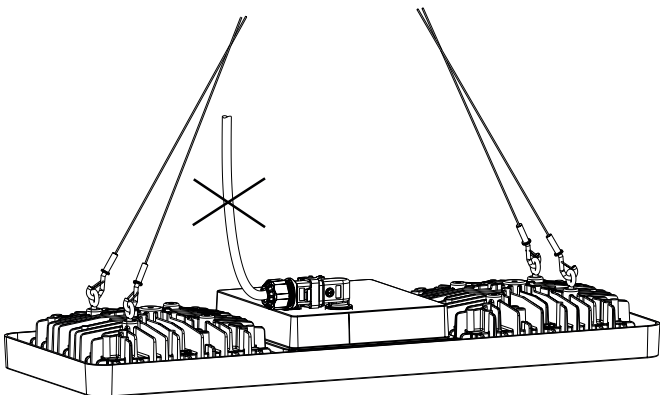


ON/OFF		DALI	
L =	L	L =	L
N =	N	N =	N
⊕ =	⊕	1 =	DALI
		2 =	
		⊕ =	⊕

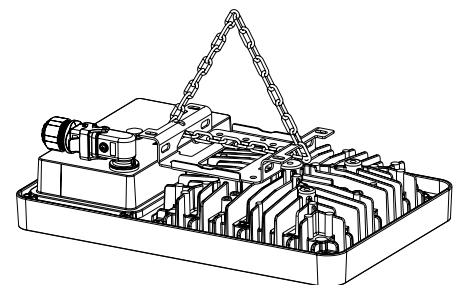
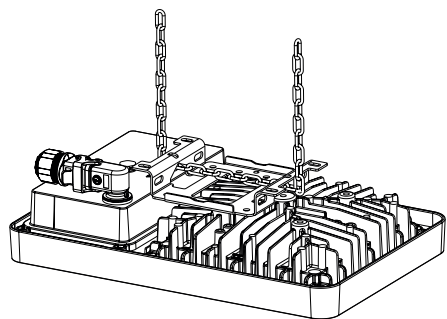
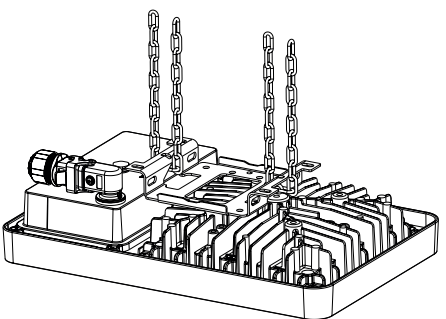
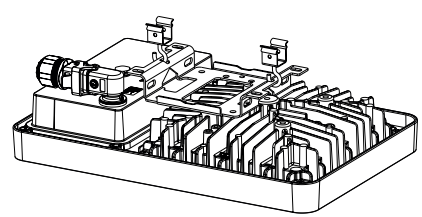
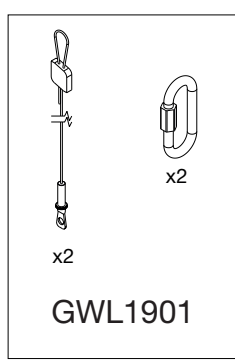
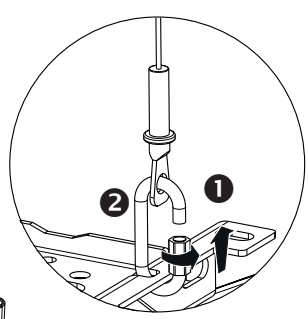
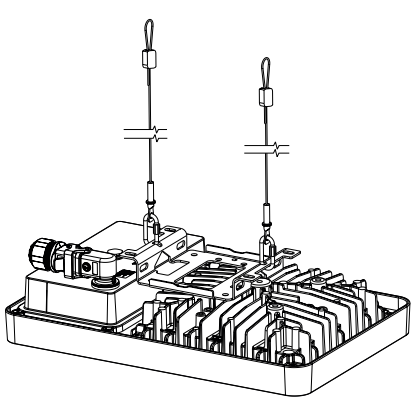
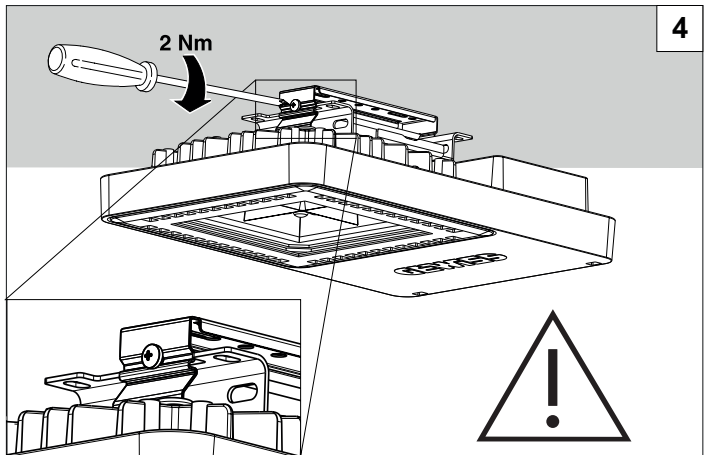
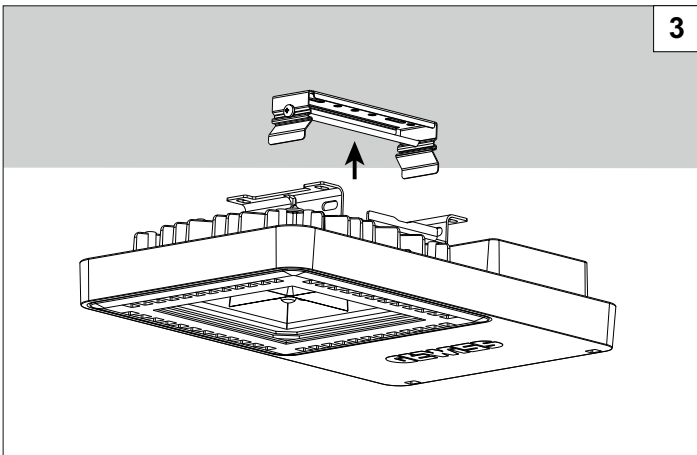
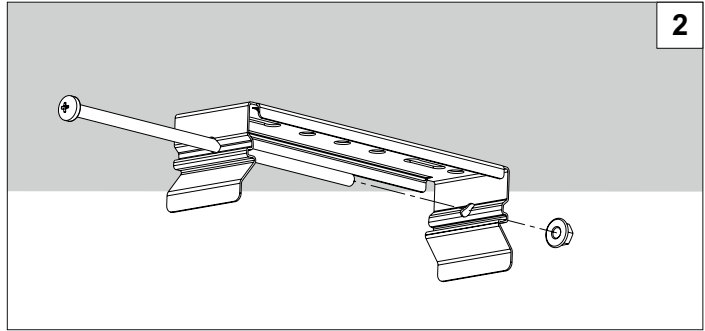
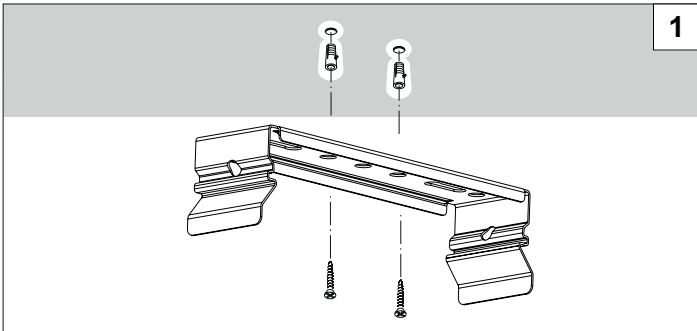


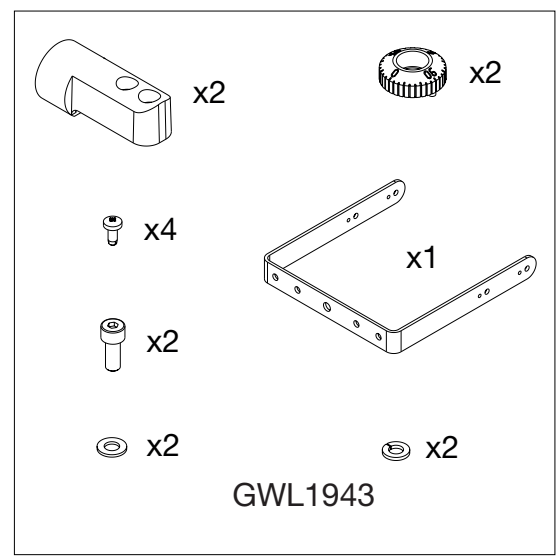
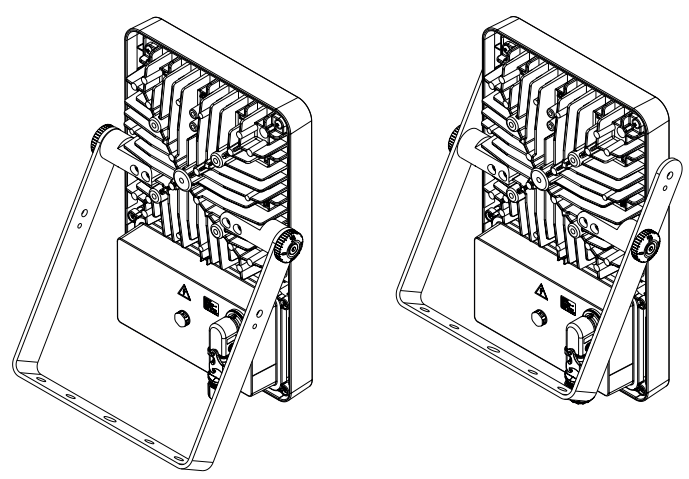
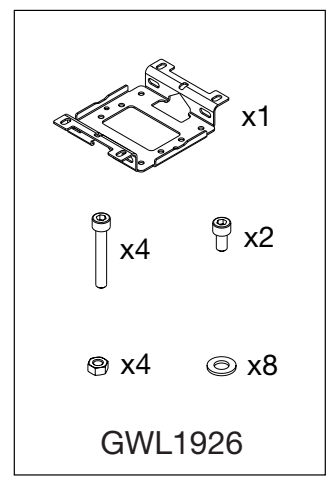
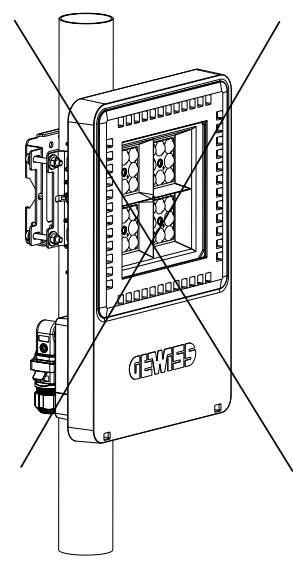
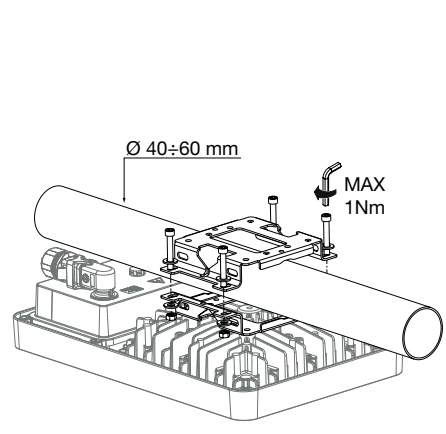
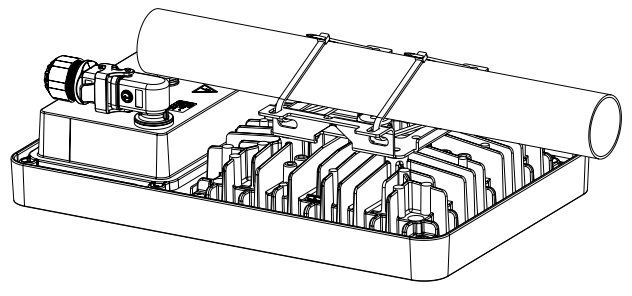
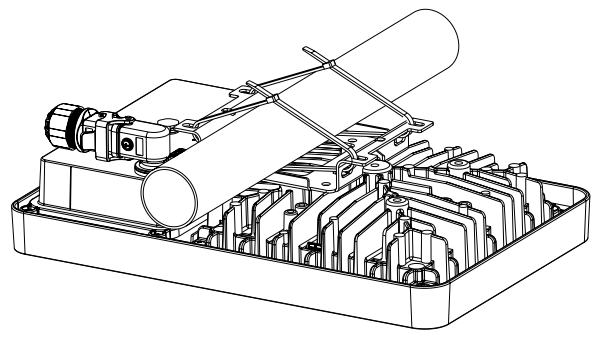
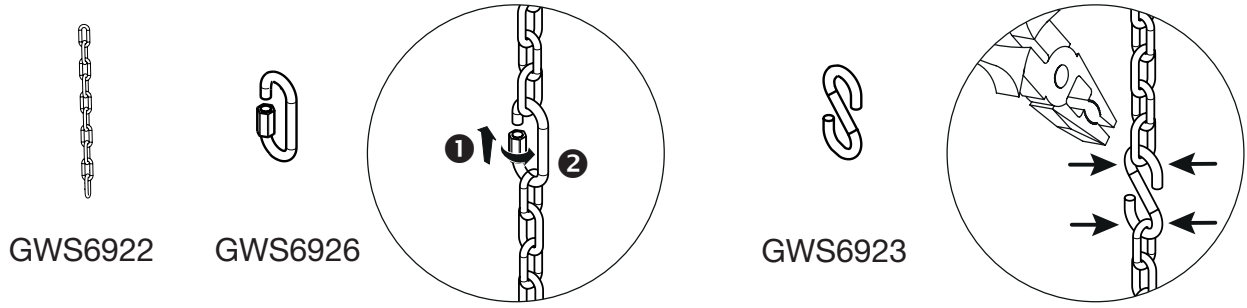


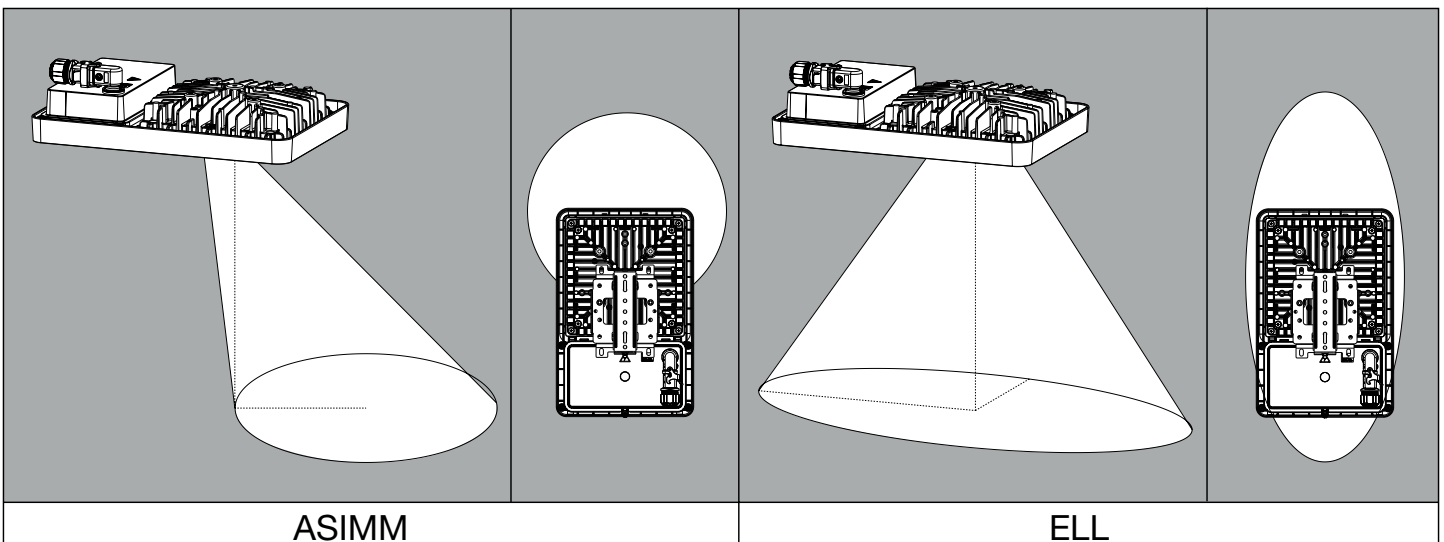
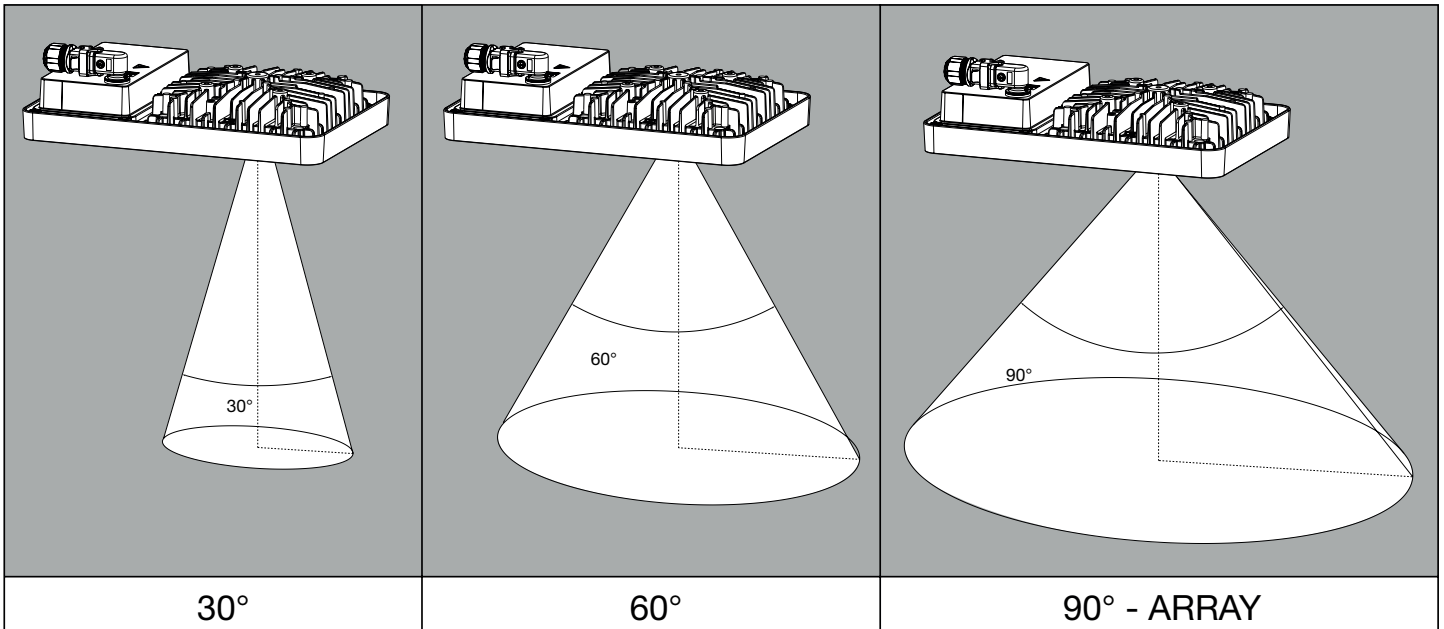
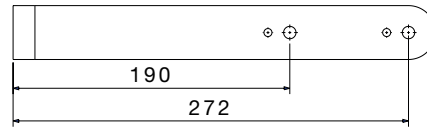
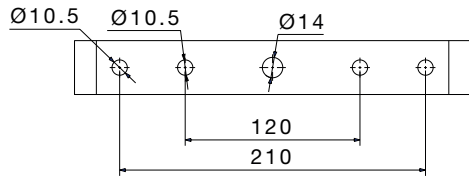
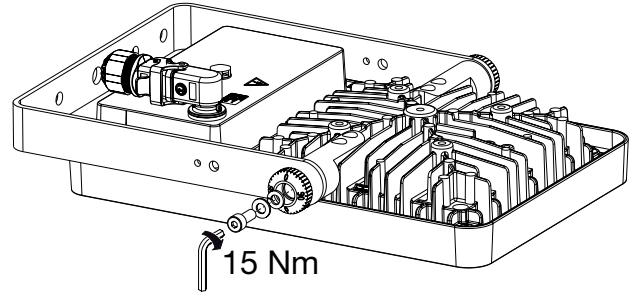
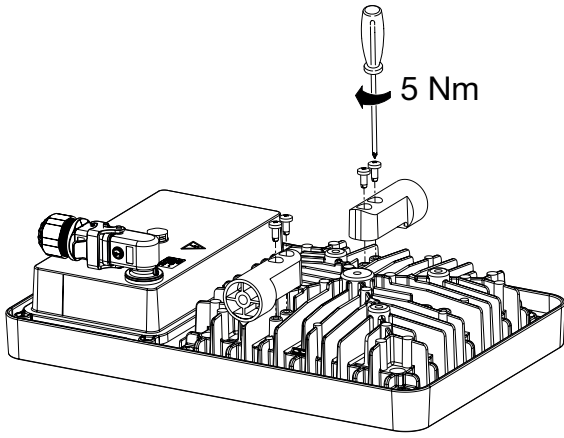
Max number of SMART [4]			
	ON/OFF	500 mA	≤ 64
	DALI		
	ON/OFF HLO	660 mA	≤ 50
	DALI HLO		
	ON/OFF	500 mA	≤ 33
	DALI		
	ON/OFF HLO	660 mA	≤ 26
	DALI HLO		
	ON/OFF	500 mA	≤ 16
	DALI		
	ON/OFF HLO	660 mA	≤ 13
	DALI HLO		



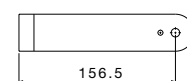
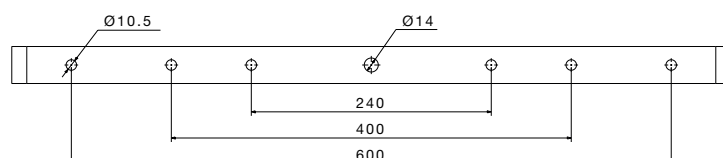
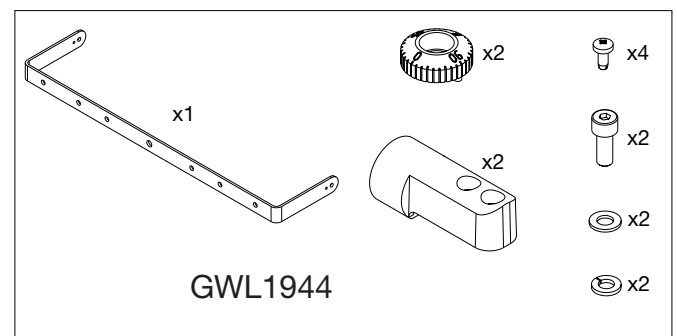
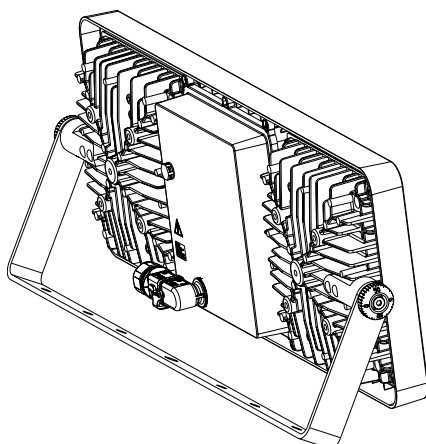
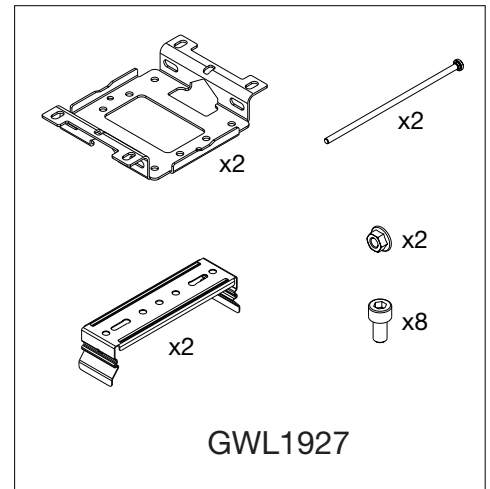
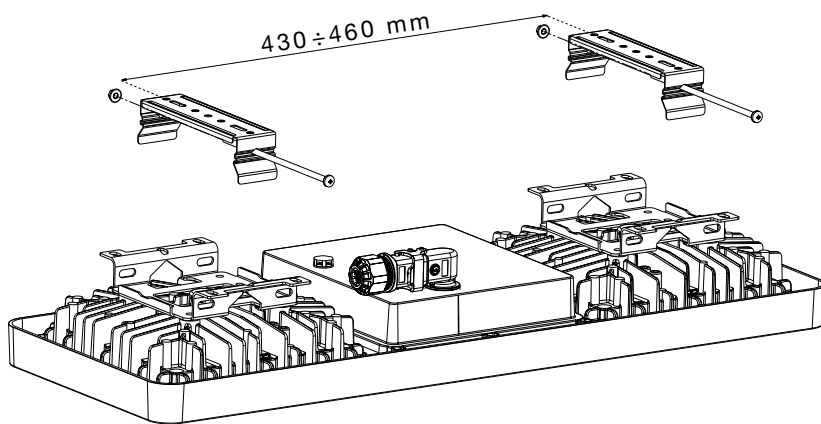
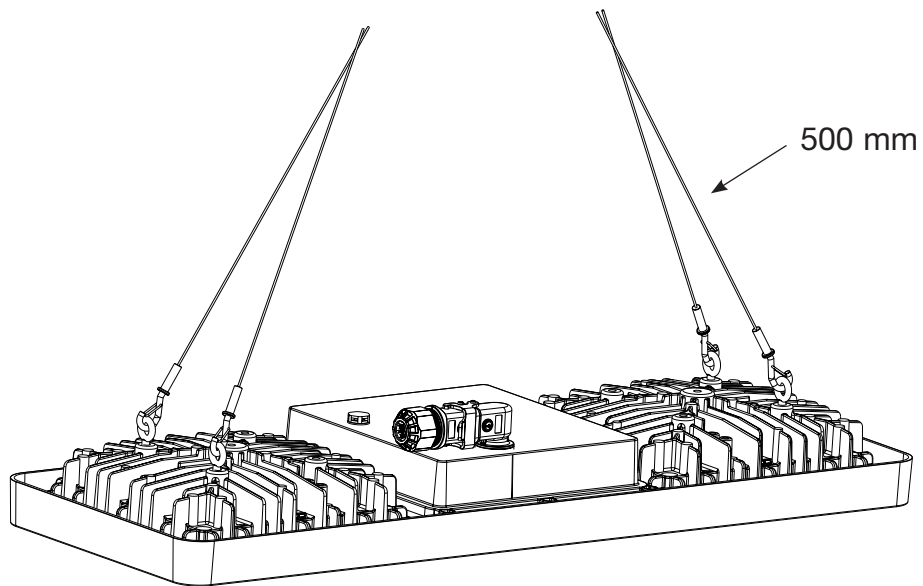
SMART[4] 1M

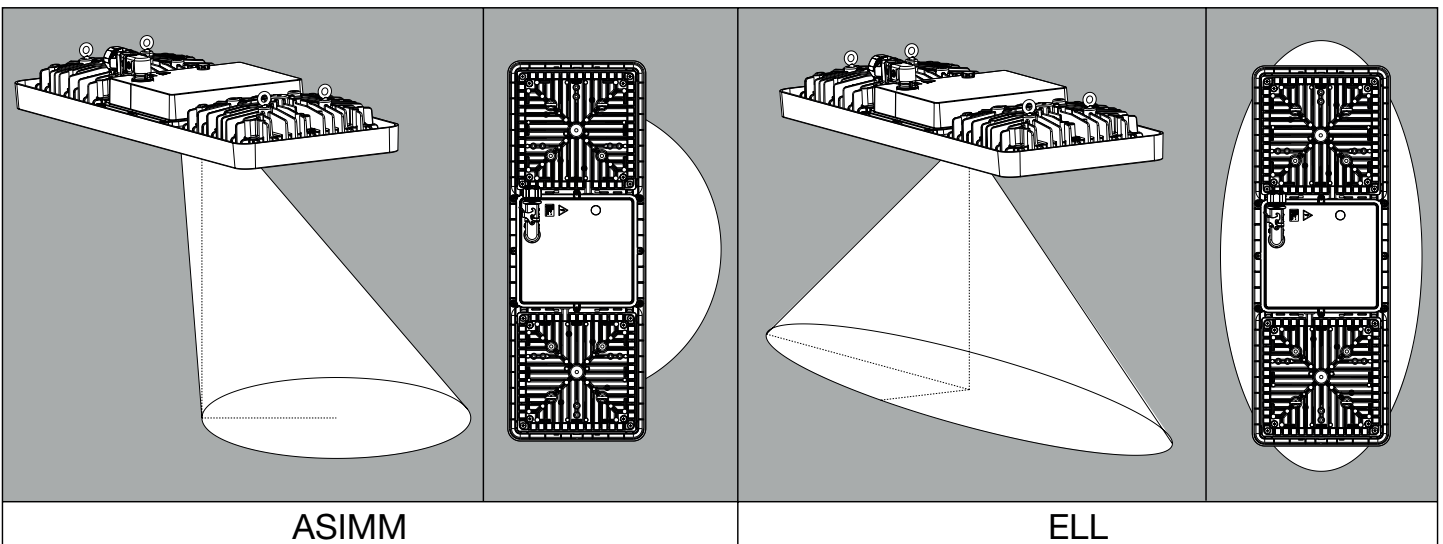
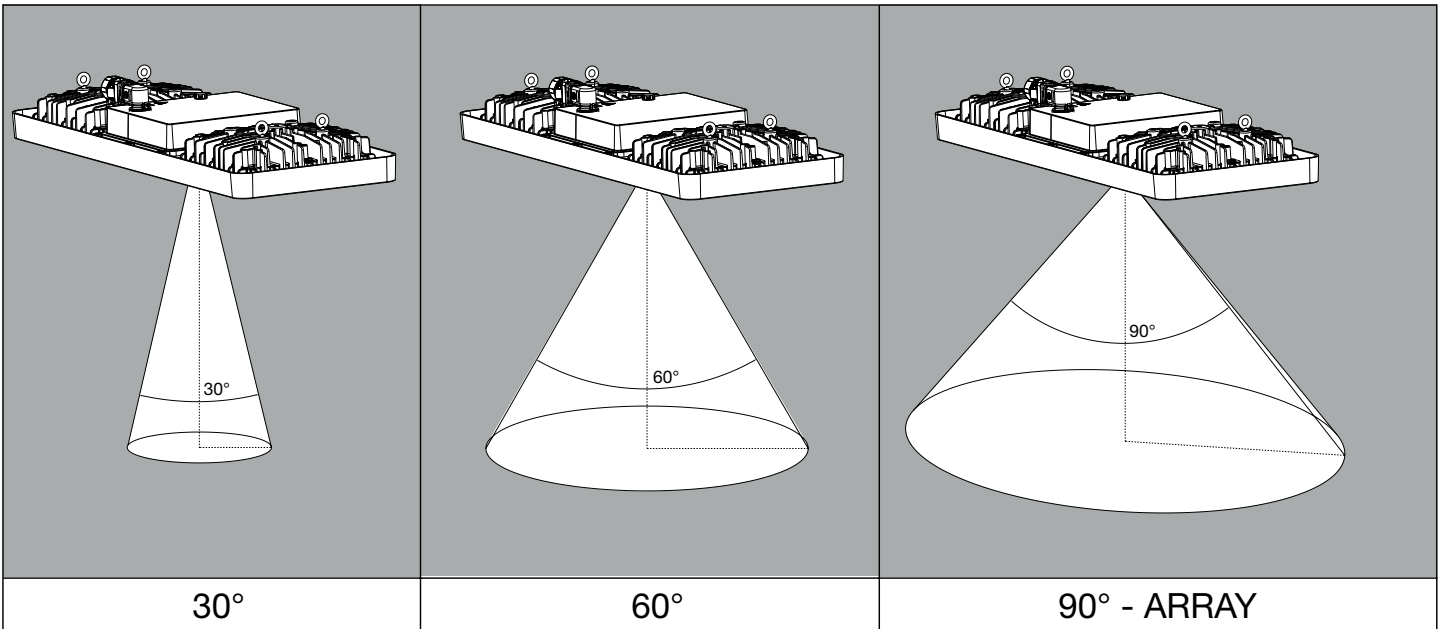
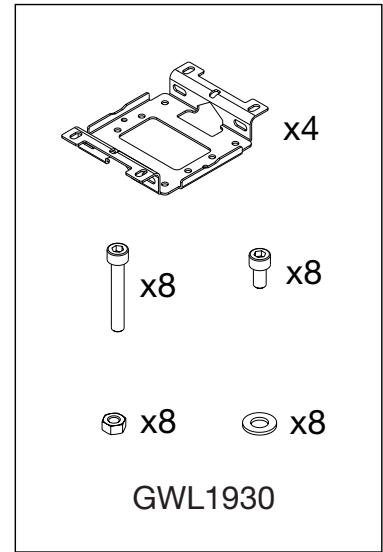
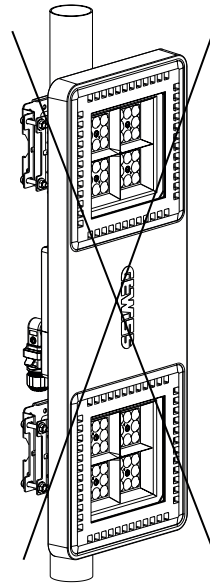
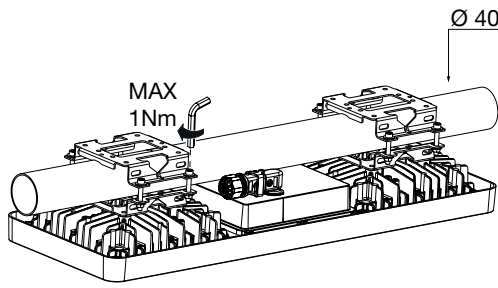




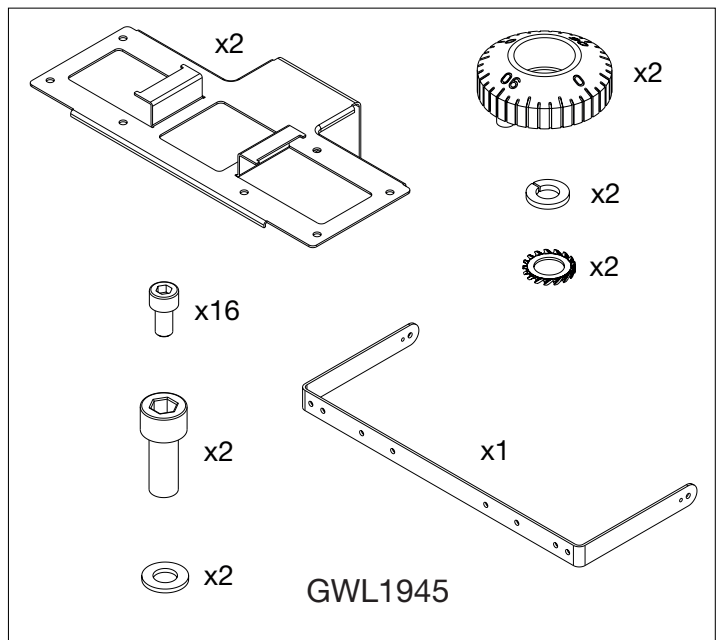
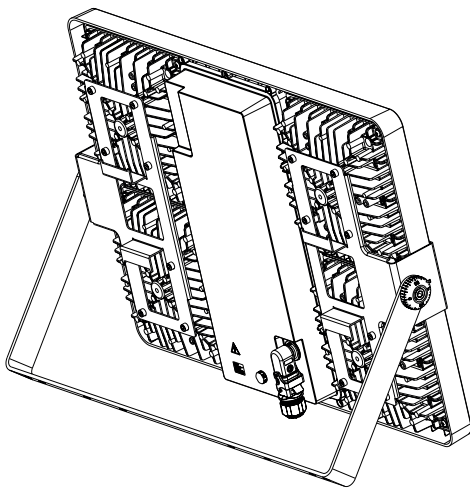
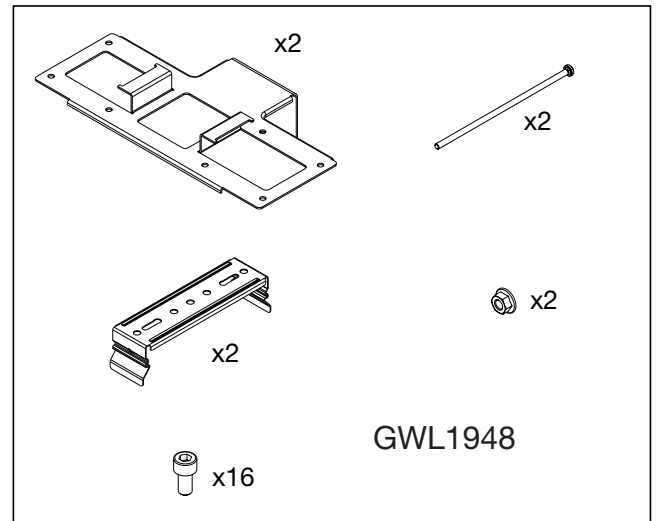
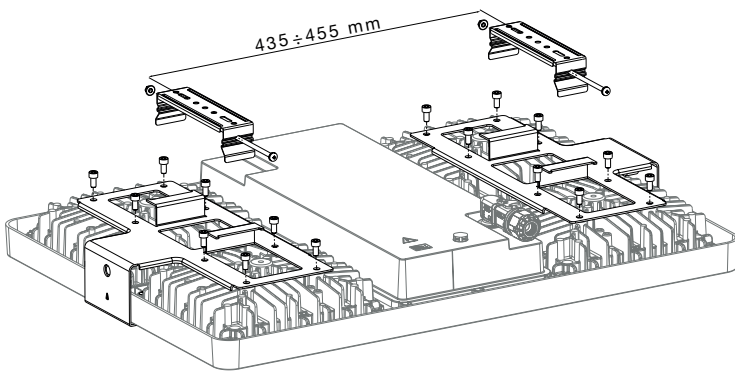
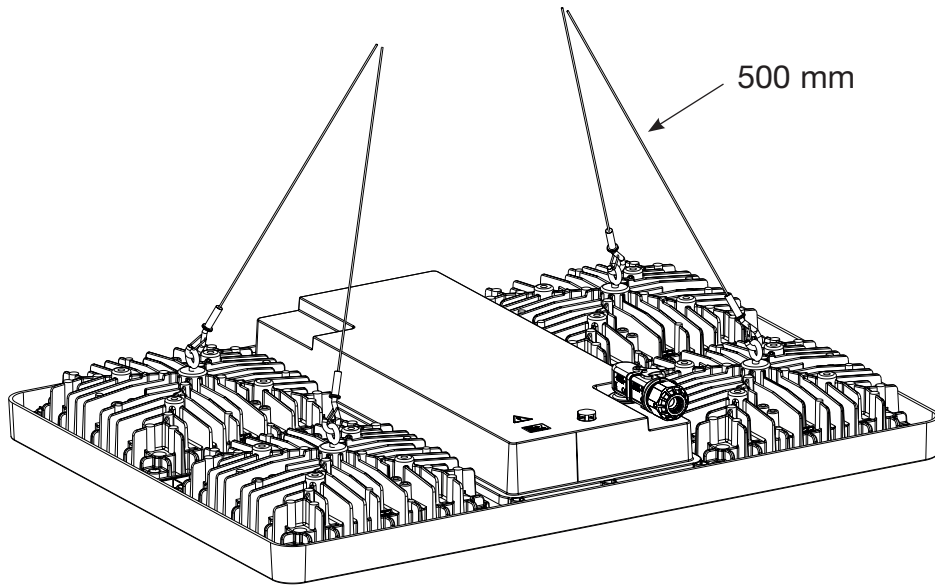


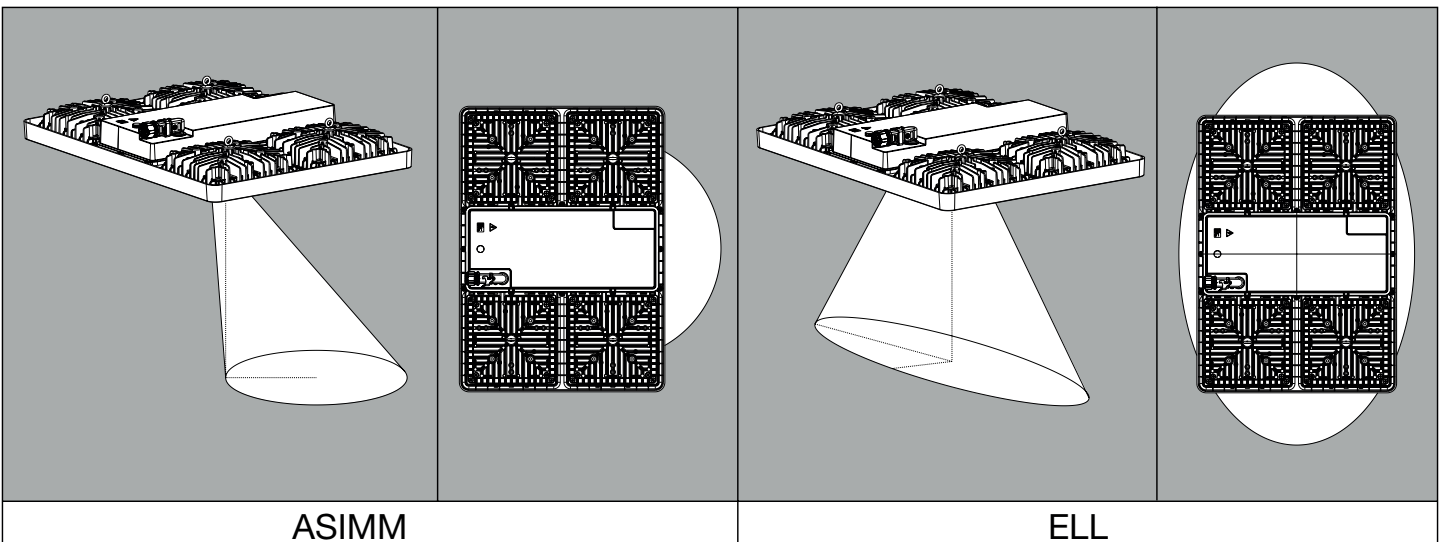
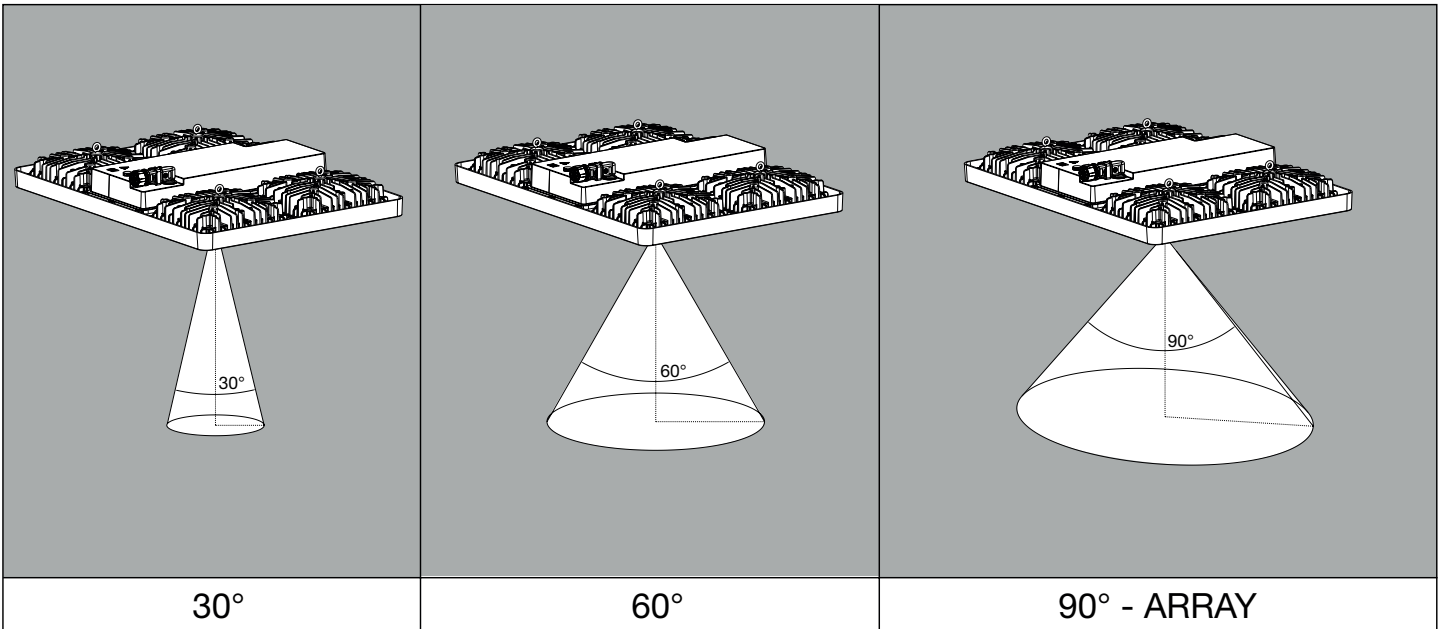
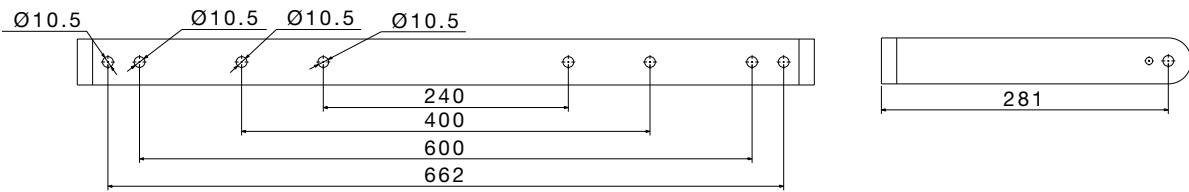
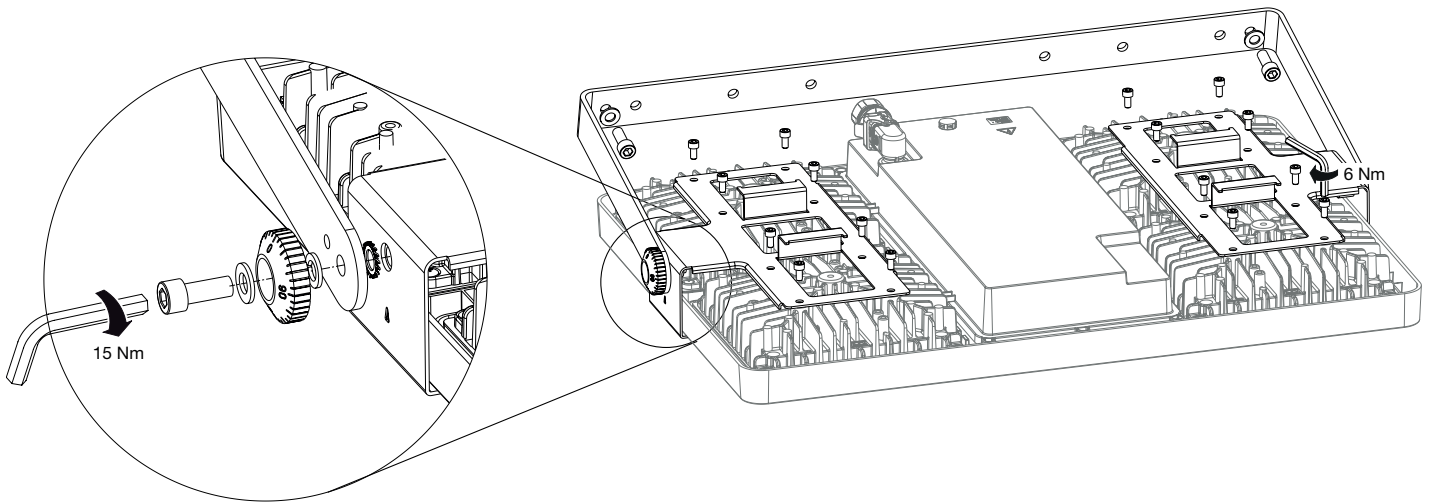
SMART[4] 2M

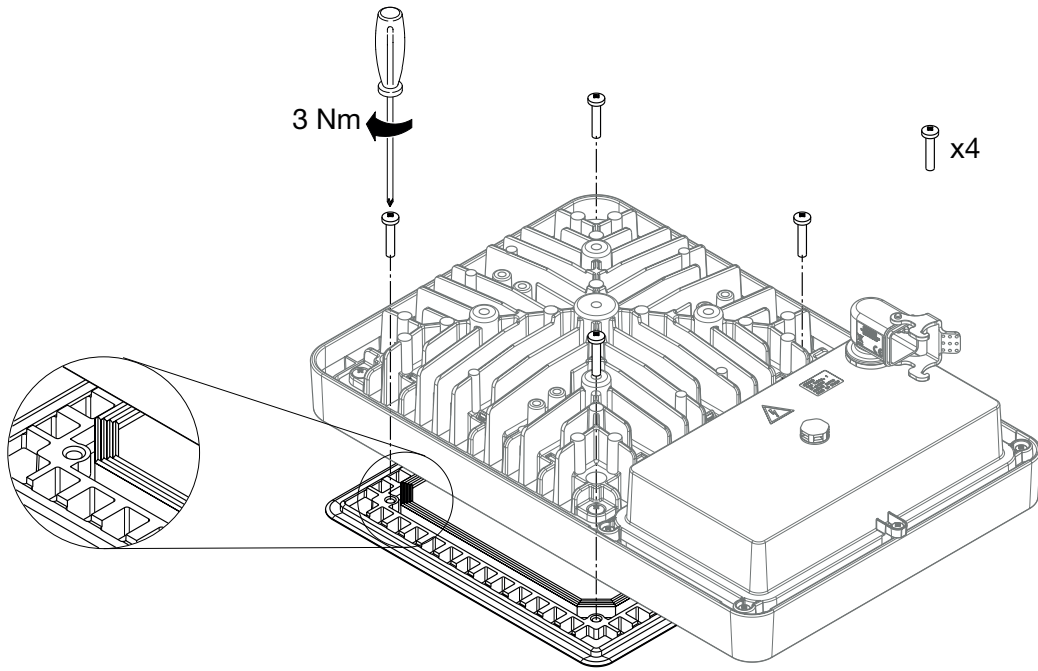




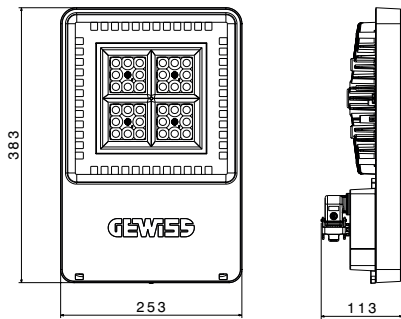
SMART[4] 4M



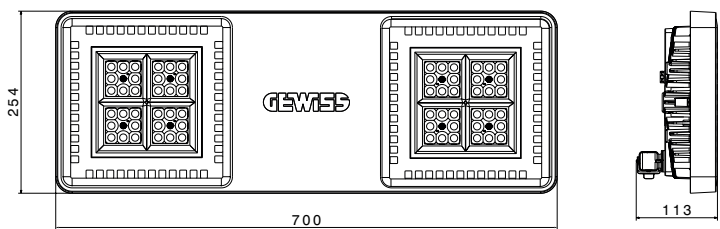




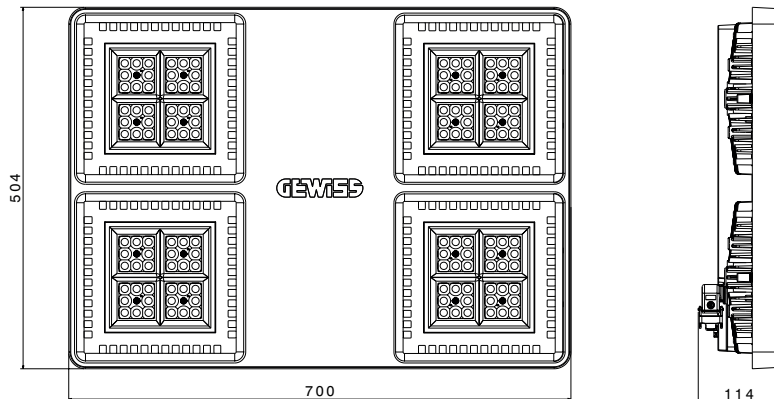
SMART[4] 1M



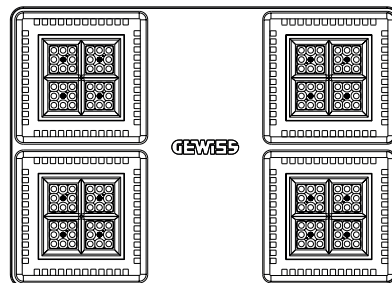
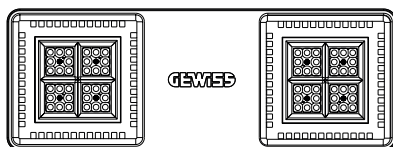
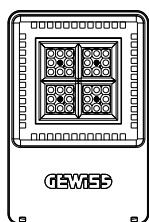
SMART[4] 2M



SMART[4] 4M



HLO VERSION



T[°C]	Flux Factor	I ±5%	W ±5%	Flux Factor	I ±5%	W ±5%	Flux Factor	I ±5%	W ±5%
25	1	0,66 A	64 W	1	0,66 A	125W	1	0,66 A	253 W
45	1	0,66 A	64 W	1	0,66 A	125W	1	0,66 A	253 W
50	0,9	0,6 A	57 W	1	0,66 A	125W	0,86	0,57 A	212 W

Flux Factor = Flux (T) / Flux (T=25°C)

<p>~0,5m</p> <p>+</p> <p>GWL1901</p>	<p>~0,5m</p> <p>+</p> <p>2 x GWL1901</p>	<p>~1,1m</p> <p>+</p> <p>2 x GWL1901</p>
<p>ON/OFF ✓</p> <p>DALI ✗</p>	<p>ON/OFF ✓</p> <p>DALI ✗</p>	<p>ON/OFF ✓</p> <p>DALI ✗</p>

Punto di contatto indicato in adempimento ai fini delle direttive e regolamenti UE applicabili:
 Contact details according to the relevant European Directives and Regulations:
 GEWISS S.p.A. Via A.Volta, 1 IT-24069 Cenate Sotto (BG) Italy tel: +39 035 946 111 E-mail: qualitymarks@gewiss.com



+39 035 946 111

8.30 - 12.30 / 14.00 - 18.00
 lunedì - venerdì - monday - friday



+39 035 946 260



sat@gewiss.com
 www.gewiss.com