


| | | |
|---------------------------|---|---|
| 10491100 | DATA SHEET |  |
| Valid from: 21.09.2021 | EPIC[®] STA 14 SS / STA 14 FS | |

Description

- The proven STA inserts for screw termination and solder termination.
- STA inserts - proven by the strong contact springs.



Male

General Characteristics

| | |
|---------------------|--|
| Series | STA 14 |
| Version | Male (Article 10491100)/Spring(Article 10493100) |
| Number of Contacts | 14 |
| Termination Methods | Screw termination: 0,5 to 1.5 mm ² |
| Temperature Range | -40°C to +80°C |

Mechanical Characteristics

| | |
|-------------------------------|-----|
| Cycle of mechanical operation | 100 |
|-------------------------------|-----|

Electrical Characteristics

| | |
|--------------------|------------------|
| Rated Voltage, IEC | 24 V AC, 60 V DC |
| Rated Voltage, UL | 48 V |
| Rated Current, IEC | 7,5 A |
| Rated Current, UL | 7,5 A |
| Contact Resistance | < 3 mOhm |
| Degree of Soiling | 2 |

Materials and Surfaces

| | |
|---------------------------------------|----------------------|
| Contacts | Copper alloy, tinned |
| Insulating Body | PC |
| Flammability Class according to UL 94 | V0 |


Approvals

| | |
|----------------------------|--------|
| UL-Approval, E-File-Number | E75770 |
|----------------------------|--------|

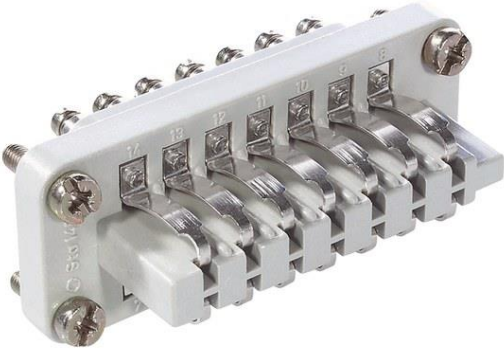
Standard

| | |
|-----------------|--------------------|
| Safety Standard | IEC 61984, UL 1977 |
|-----------------|--------------------|

| | | |
|---|---------------------------------------|-------------|
| Creator: JOKR1/PDP Released: IVSE1/PDP | Document: DB10491100EN Version: 04 | Page 1 of 2 |
|---|---------------------------------------|-------------|

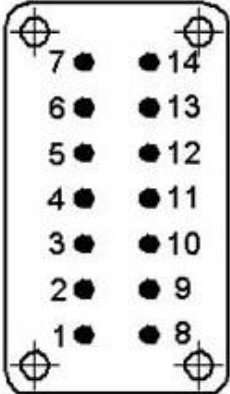
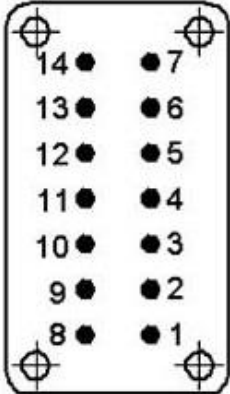
| | | |
|---------------------------|-----------------------------|---|
| 10491100 | DATA SHEET |  |
| Valid from: 21.09.2021 | EPIC® STA 14 SS / STA 14 FS | |

Technical Drawings

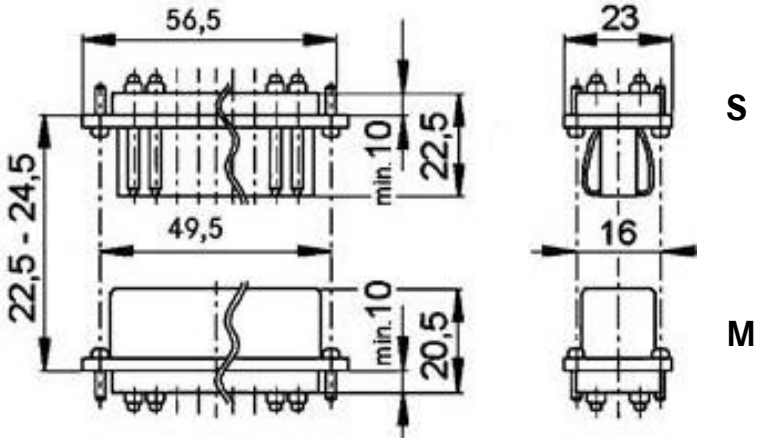


M

S



Spring



Industrial machinery and plant engineering

Application range

- Control systems
- Rack technology
- Electronic laboratory

Remark

Photographs are not to scale and do not represent detailed images of the respective products.

| | | |
|---|---------------------------------------|-------------|
| Creator: JOKR1/PDP Released: IVSE1/PDP | Document: DB10491100EN Version: 04 | Page 2 of 2 |
|---|---------------------------------------|-------------|