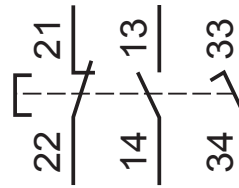
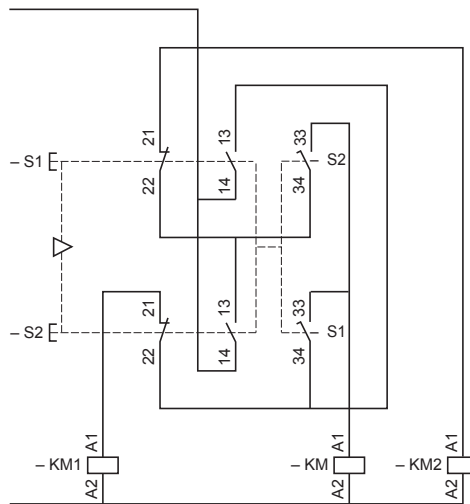




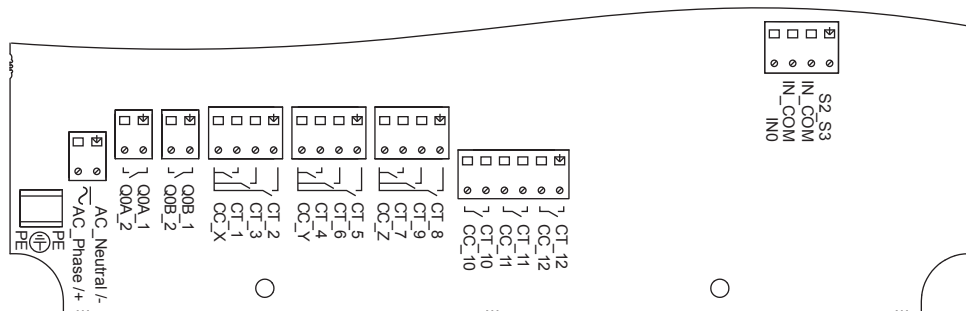
Cross Wiring



XENG1191 Two speed application - Wiring diagram



IOs eXLhoist



Cross WiringDirection North – South

Output CT_1: First speed direction X (KM1_A1)

Outputs CT_1 + CT_3: Second speed direction X (KM1_A1 + KM_A1)

Output CT_2: First speed, direction Y (KM2_A1)

Outputs CT_2 + CT_3: Second speed, direction Y (KM2_A1 + KM_A1)

Direction East – West

Output CT_4: First speed direction X (KM1_A1)

Outputs CT_4 + CT_6: Second speed direction X (KM1_A1 + KM_A1)

Output CT_5: First speed, direction Y (KM2_A1)

Outputs CT_5 + CT_6: Second speed, direction Y (KM2_A1 + KM_A1)

Direction Up – Down

Output CT_7: First speed direction X (KM1_A1)

Outputs CT_7 + CT_9: Second speed direction X (KM1_A1 + KM_A1)

Output CT_8: First speed, direction Y (KM2_A1)

Outputs CT_8 + CT_9: Second speed, direction Y (KM2_A1 + KM_A1)