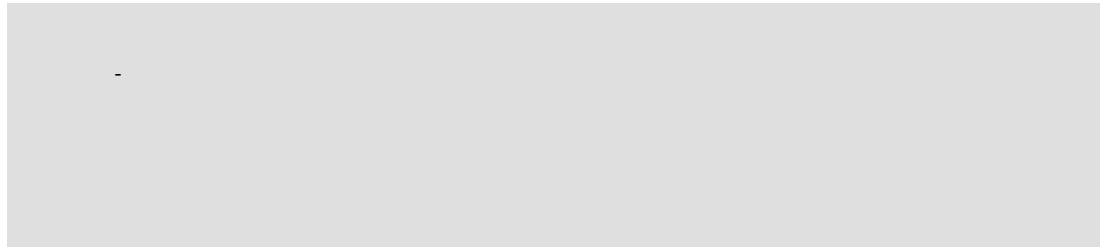


Product Data Sheet

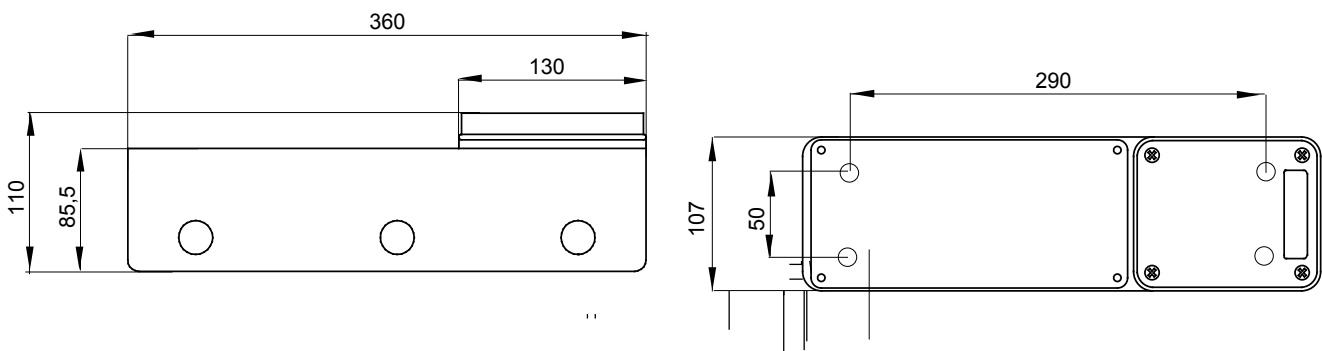
GW66690

IB Range



Top entries	2xØ 23	Glow Wire Test	650 °C
Houseable interloc. socket	1	IP degree	IP65
Mechanical resistance	IK08	Side entries	2xØ 23
Houseable IB socket-outlets	16/32 A	Electrocod	2221
Minimum installation temperature	-25°C		

DIMENSIONAL



TECHNICAL SYMBOLOGY

GWT	IP	IK
650 °C	IP65	IK08

STANDARDS/APPROVALS

