
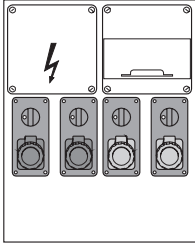
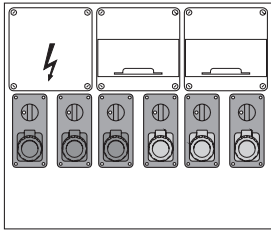
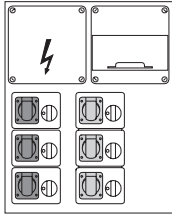
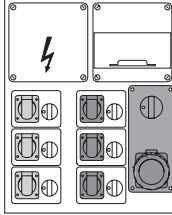
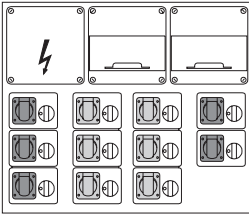
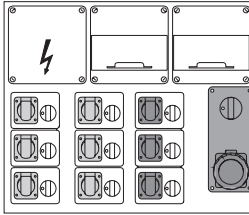
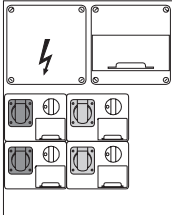
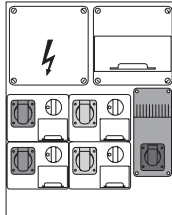
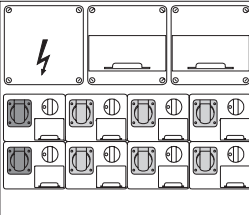
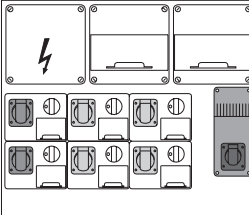
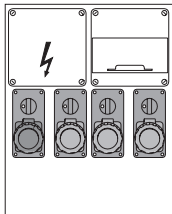
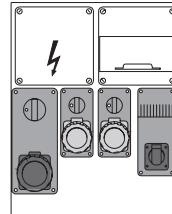
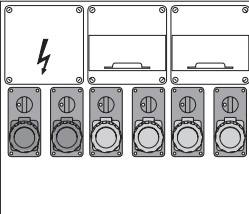
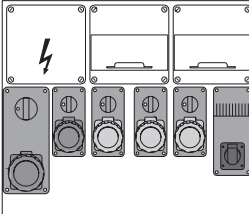
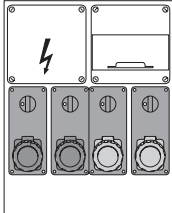
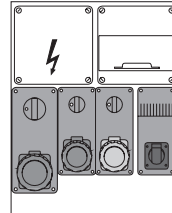
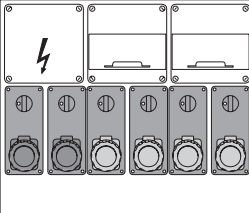
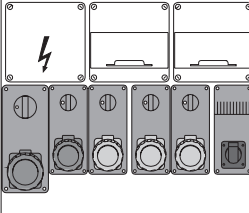
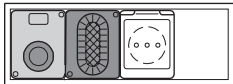
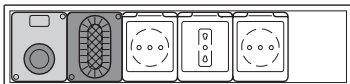


GW 68 465



| | Q-BOX 4 GW 68 465 | | Q-BOX 6 GW 68 466 | | |
|---|---|---|--|---|--|
|  |  <p>4 x 16 A IP 67 GW 68 481 - GW 68 482</p> | |  <p>5 x 16 A IP 67 1 x 32 A IP 67 GW 68 471 - GW 68 472 6 x 16 A IP 67 SBF GW 68 473</p> | | |
| |  <p>6 x 16/32 A IP 44 SBF</p> |  <p>6 x 16/32 A IP 44 SBF 1 x 63 A IP 67</p> |  <p>11 x 16/32 A IP 44 SBF</p> |  <p>9 x 16/32 A IP 44 SBF 1 x 63 A IP 67</p> | |
| |  <p>4 x 16/32 A IP 44 CBF</p> |  <p>4 x 16/32 A IP 44 CBF 1 x 220/24 V IP 67 SELV</p> |  <p>8 x 16/32 A IP 44 CBF</p> |  <p>6 x 16/32 A IP 44 CBF 1 x 220/24 V IP 67 SELV</p> | |
| |  <p>4 x 16/32 A IP 67</p> |  <p>2 x 16/32 A IP 67 1 x 63 A IP 67 1 x 220/24 V IP 67 SELV</p> |  <p>6 x 16/32 A IP 67</p> |  <p>4 x 16/32 A IP 67 1 x 63 A IP 67 1 x 220/24 V IP 67 SELV</p> | |
| |  <p>4 x 16/32 A IP 67</p> |  <p>2 x 16/32 A IP 67 1 x 63 A IP 67 1 x 220/24 V IP 67 SELV</p> |  <p>6 x 16/32 A IP 67</p> |  <p>4 x 16/32 A IP 67 1 x 63 A IP 67 1 x 220/24 V IP 67 SELV</p> | |
| | |  | |  | |



| | | |
|---|--|---|
| 1 | | 1 |
| 2 | | 1 |
| 3 | | 1 |
| 4 | | 1 |
| 5 | | 1 |
| 6 | | 1 |
| 7 | | 1 |
| 8 | | 1 |

| KIT A | | |
|-------|----------|----|
| 1A | TC M6X16 | 24 |
| 2A | | 20 |
| 3A | M6 | 10 |
| 4A | 4x32 | 2 |

| KIT B | | |
|-------|---------|---|
| 1B | Ø20 | 1 |
| 2B | Ø32 | 7 |
| 3B | PG21 | 1 |
| 4B | PG21 | 1 |
| 5B | PG36 | 1 |
| 6B | PG36 | 1 |
| 7B | PG29/36 | 1 |
| 8B | PG21 | 1 |
| 9B | PG29 | 1 |
| 10B | PG36 | 1 |
| 11B | PG42 | 1 |

| KIT C | | |
|-------|--|---|
| 1C | | 1 |
| 2C | | 1 |
| 3C | | 1 |


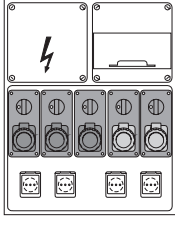
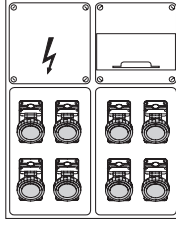
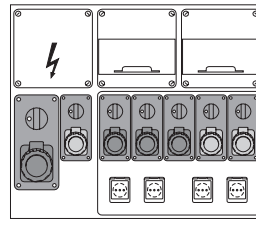
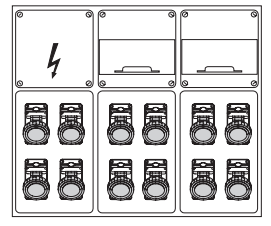
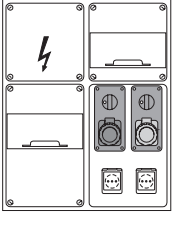
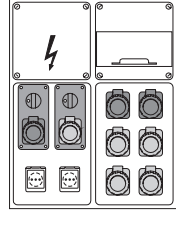
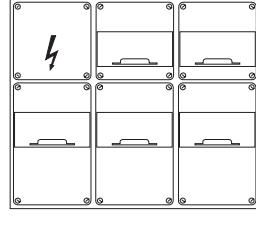
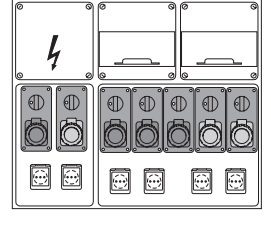
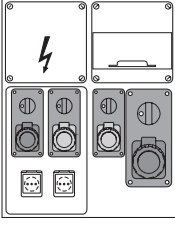
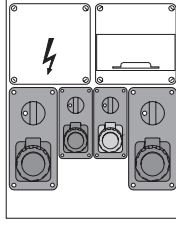
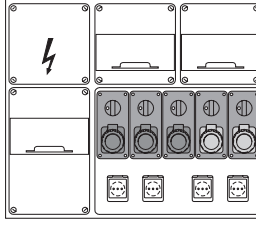
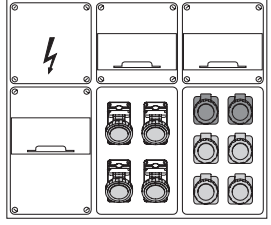
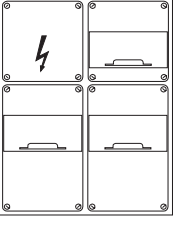
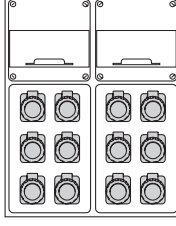
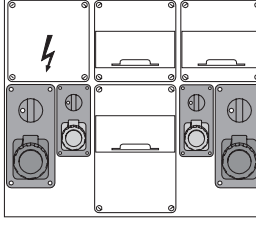
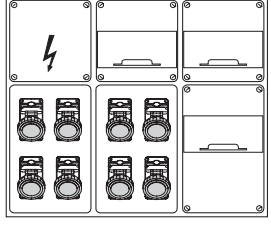
| KIT D | | |
|-------|-------|---|
| 1D | | 1 |
| 2D | | 1 |
| 3D | | 1 |
| 4D | M8 | 3 |
| 5D | Ø 8,4 | 3 |
| 6D | | 1 |

| KIT E | | |
|-------|-------|----|
| 1E | | 1 |
| 2E | | 2 |
| 3E | | 1 |
| 4E | | 1 |
| 5E | | 1 |
| 6E | 5x26 | 16 |
| 7E | | 2 |
| 8E | M5x30 | 4 |
| 9E | Ø 5 | 4 |
| 10E | M5 | 4 |
| 11E | | 2 |
| 12E | | 1 |
| 13E | IP55 | 1 |

| KIT F | | |
|-------|-------|---|
| 1F | | 1 |
| 2F | M6x16 | 2 |
| 3F | Ø 8 | 1 |

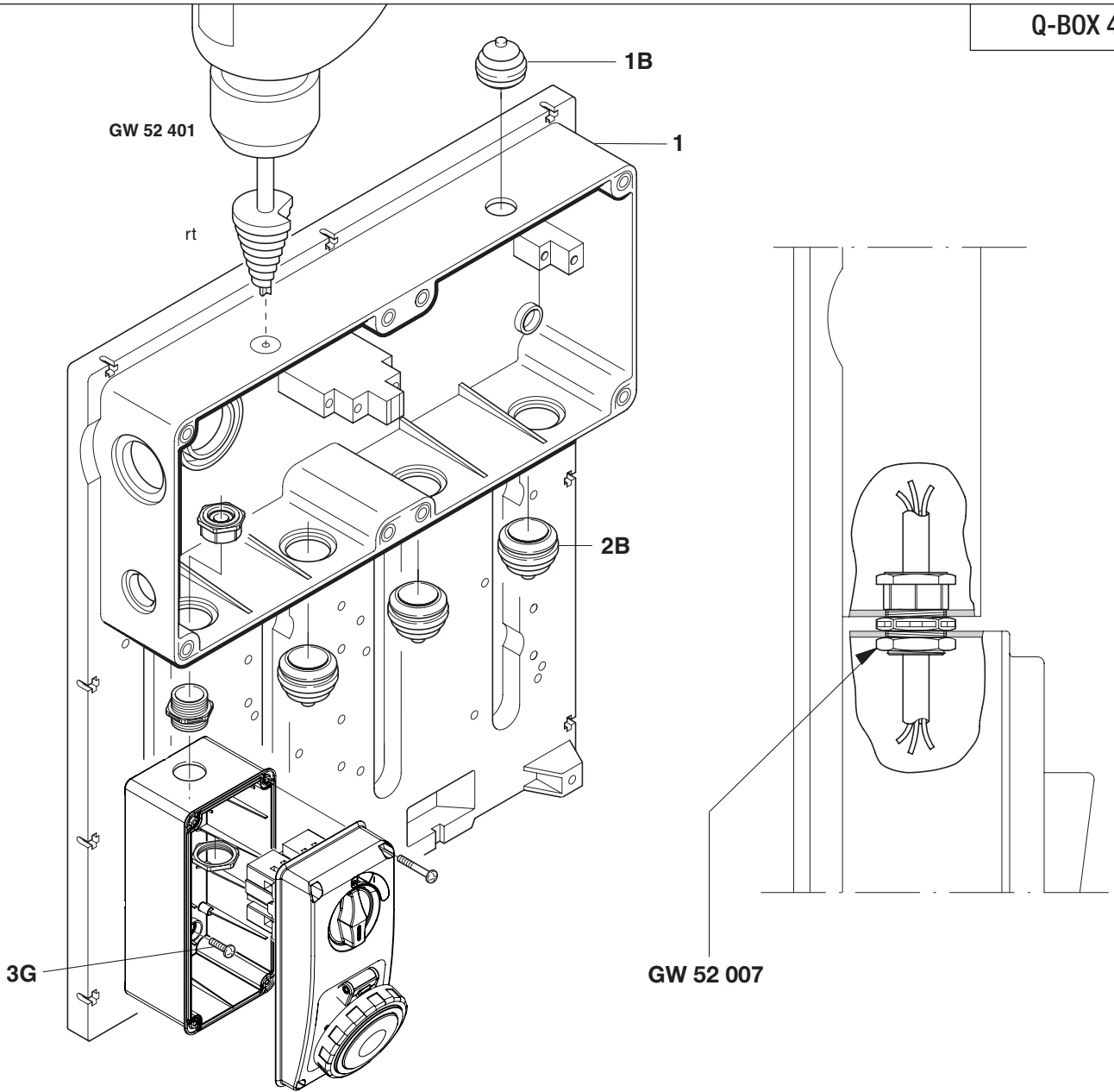
| KIT G | | |
|-------|--------|----|
| 1G | M6x70 | 8 |
| 2G | Ø 6 | 8 |
| 3G | 4,1x25 | 16 |



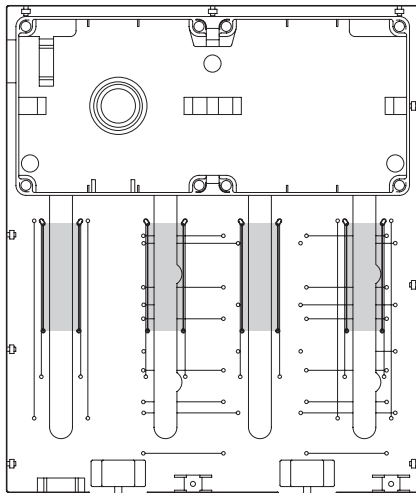
| | Q-BOX 4 GW 68 465 | | Q-BOX 6 GW 68 466 | |
|---|--|--|--|---|
|  |  <p>5 IB SBF 16-32A 4 Schuko GW 68 541</p> |  <p>8 COMBI 16-32A GW 68 542</p> |  <p>6 IB SBF 16-32A 1 IB SBF 63A 4 Schuko GW 68 543</p> |  <p>12 IB COMBI 16-32A GW 68 544</p> |
| |  <p>24 EN 50022 2 IB SBF 16-32A 2 Schuko</p> |  <p>2IB 16-32A 2 IEC 309 16-32A 6 Schuko/IEC 16A</p> |  <p>60 EN 50022</p> |  <p>7 IB 16-32 6 Schuko/IEC 309 16A</p> |
| |  <p>3 IB 16-32A 1 IB 63A 2 Schuko/IEC 309 16A</p> |  <p>2 IB 16-32A 2 IB 63A</p> |  <p>36 EN 50022 5 IB 16-32A 4 Schuko/IEC 309 16A</p> |  <p>36 EN 50022 4 COMBI 2 IEC 309 16-32A 4 IEC 309 16A</p> |
| |  <p>36 EN 50022</p> |  <p>4 IEC 309 16-32A 8 IEC 309 16A/Schuko</p> |  <p>36 EN 50022 2 IB 63A 2 IB 16-32A</p> |  <p>8 COMBI 16-32A 36 EN 50022</p> |



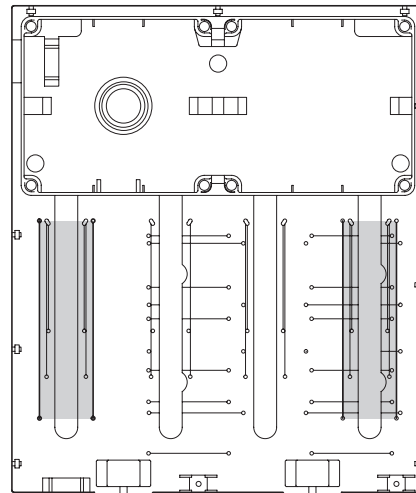
Q-BOX 4



16/32A

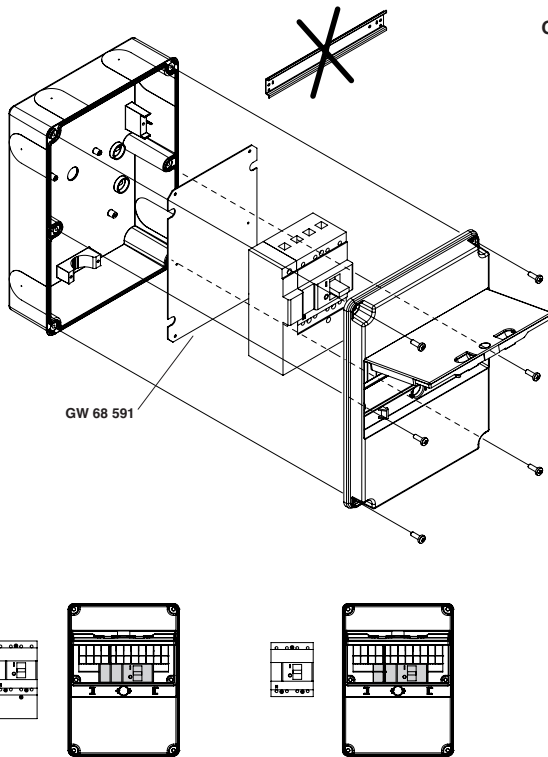
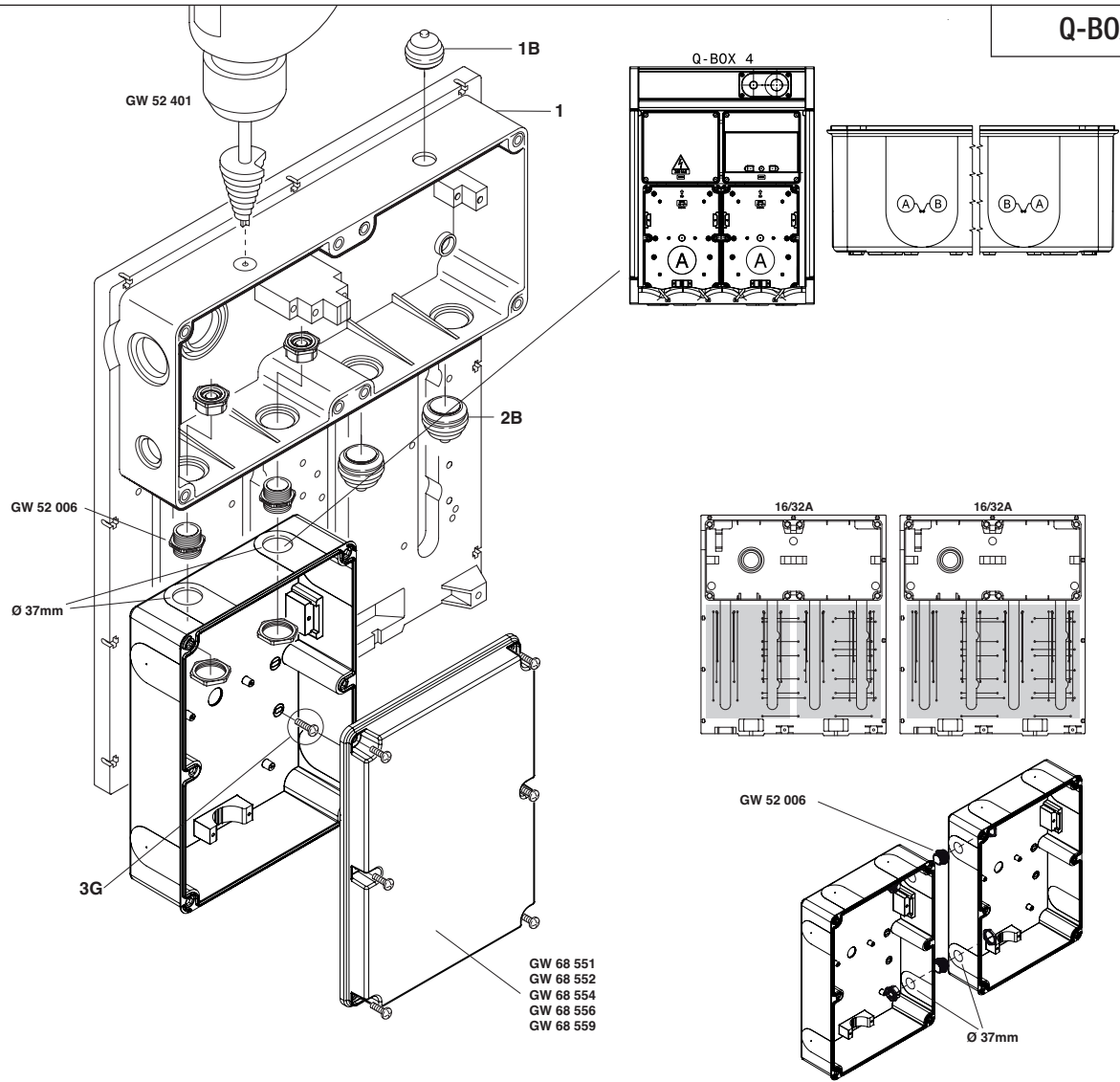


63A

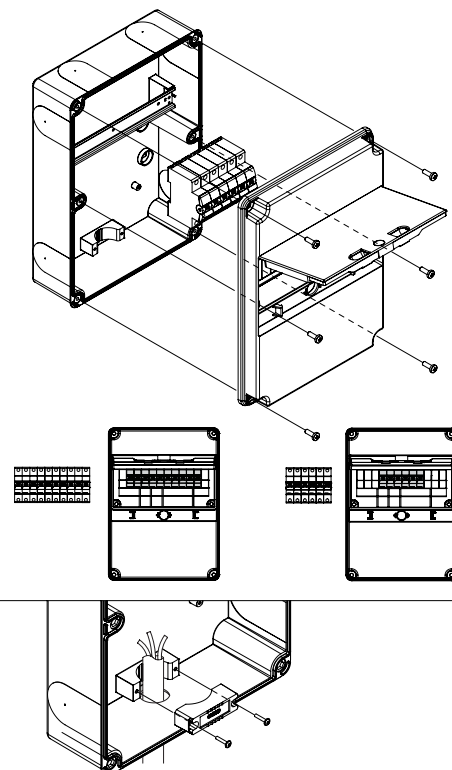




Q-BOX 4

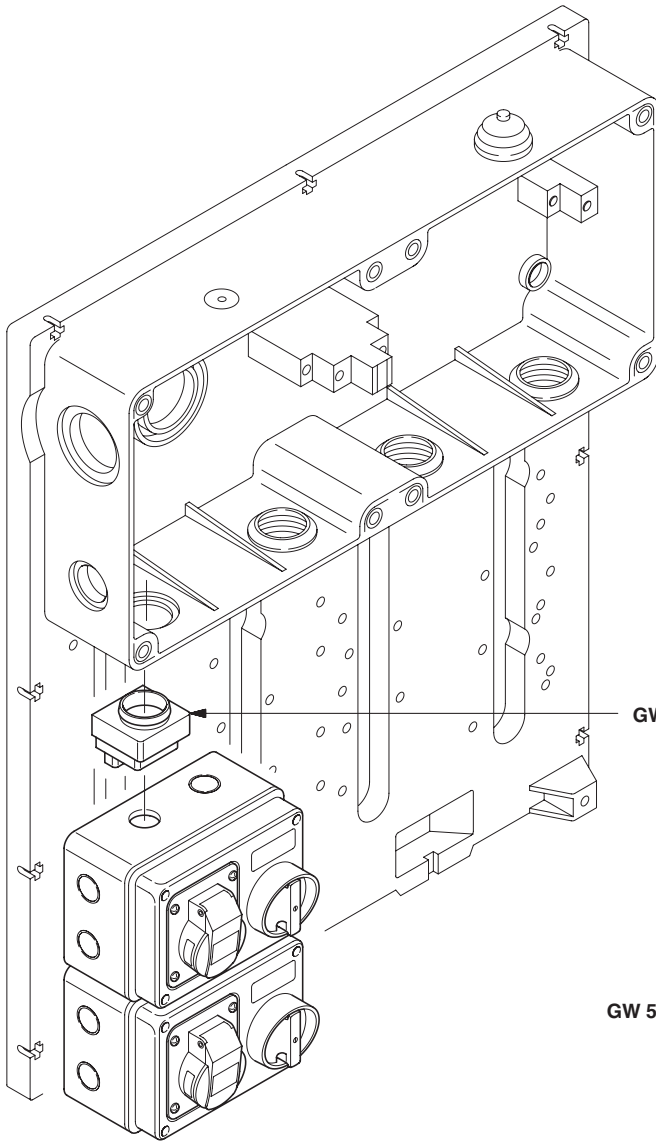


GW 68 552

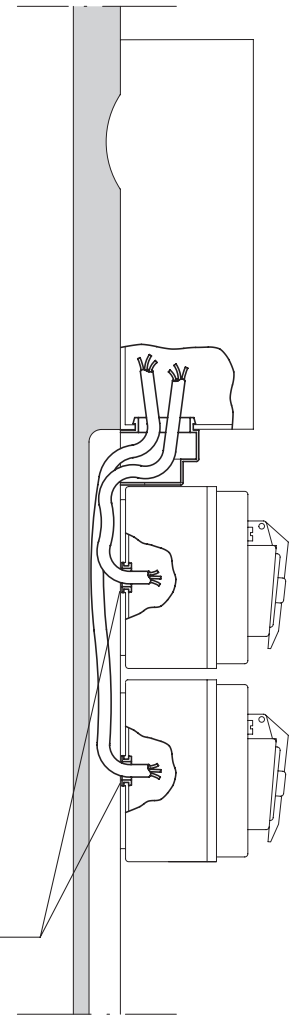




Q-BOX 4

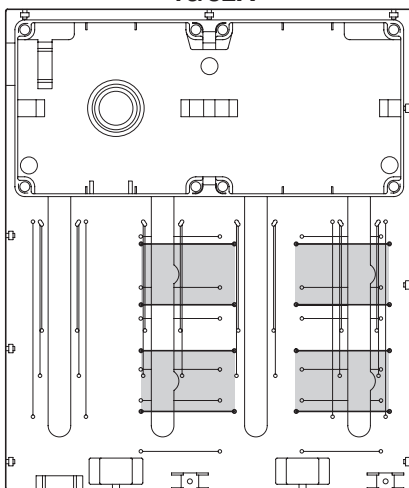


GW 50 445

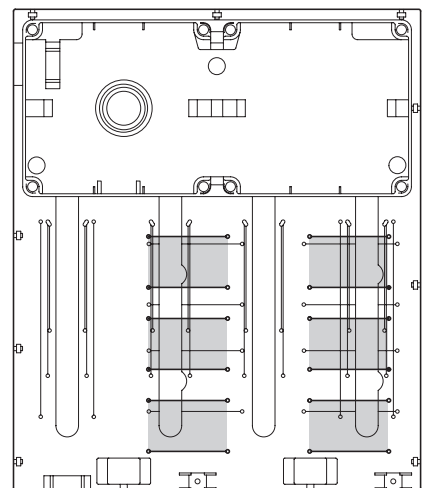


GW 50 429

16/32A

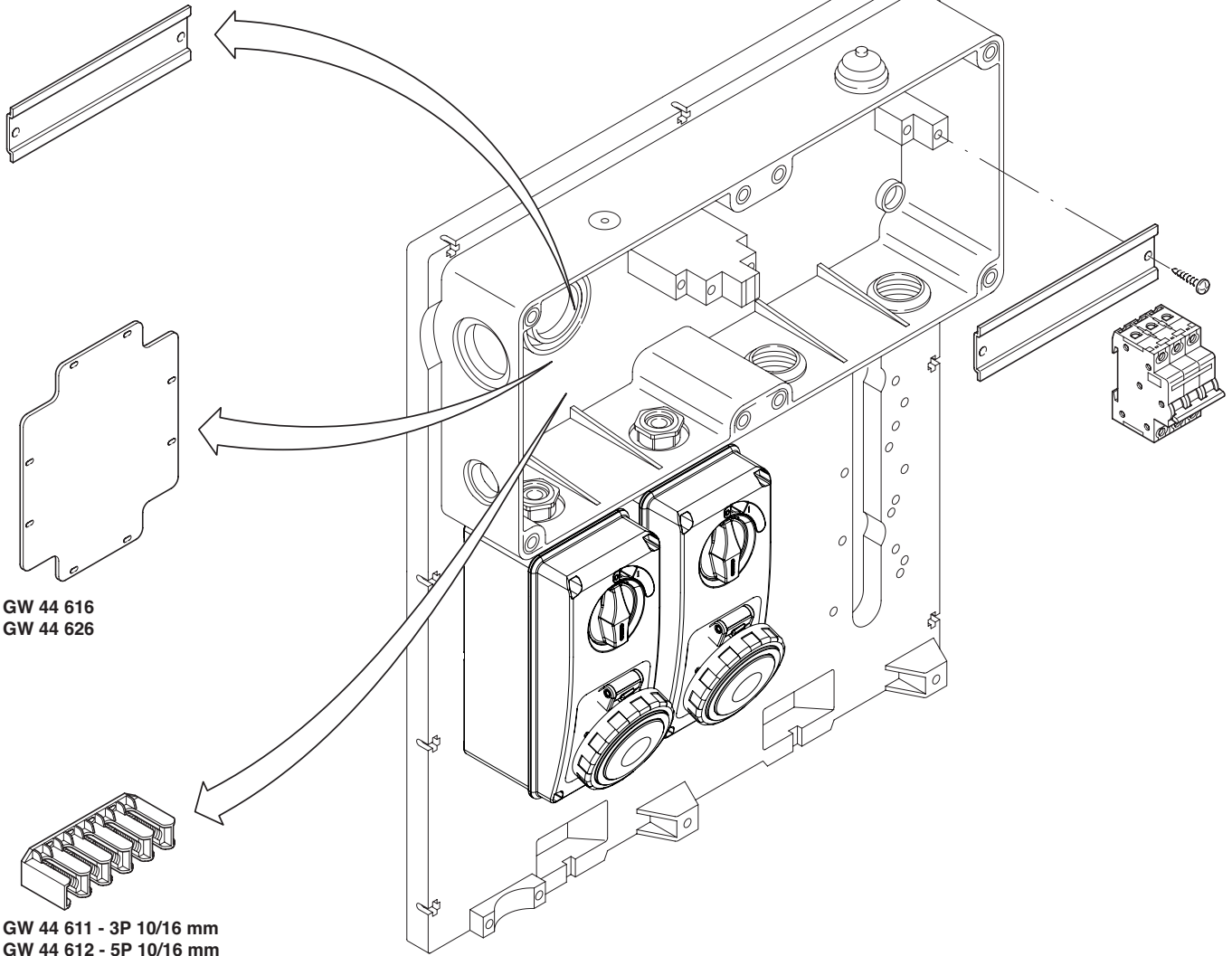


16/32A



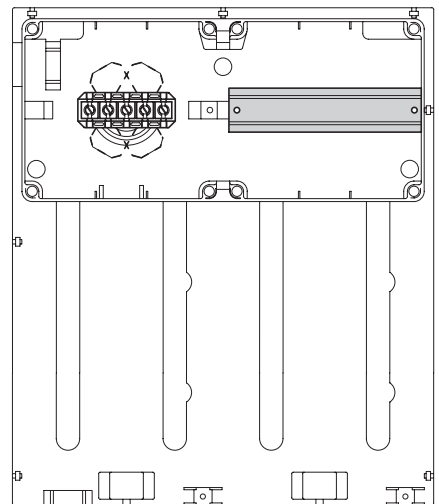
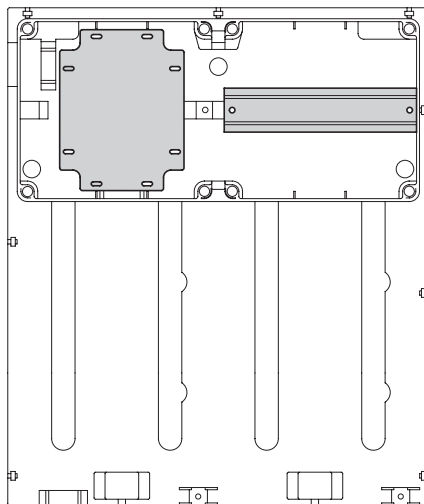
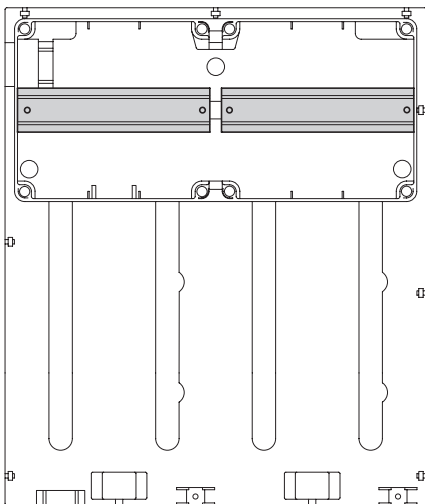


Q-BOX 4



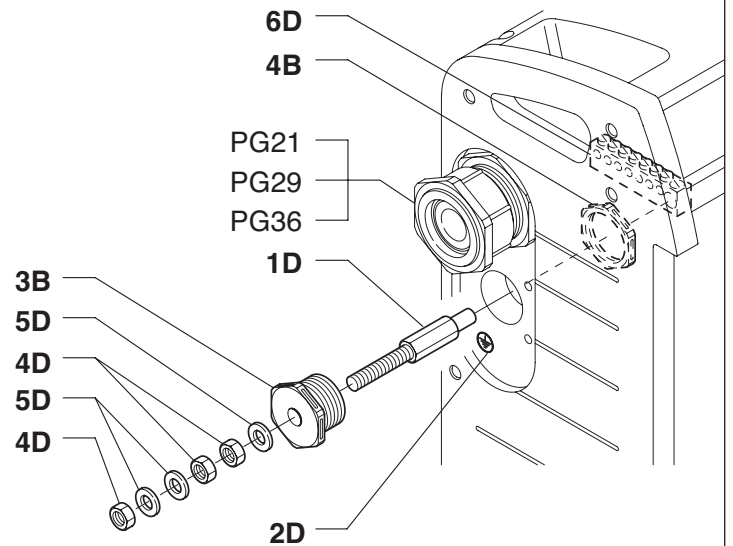
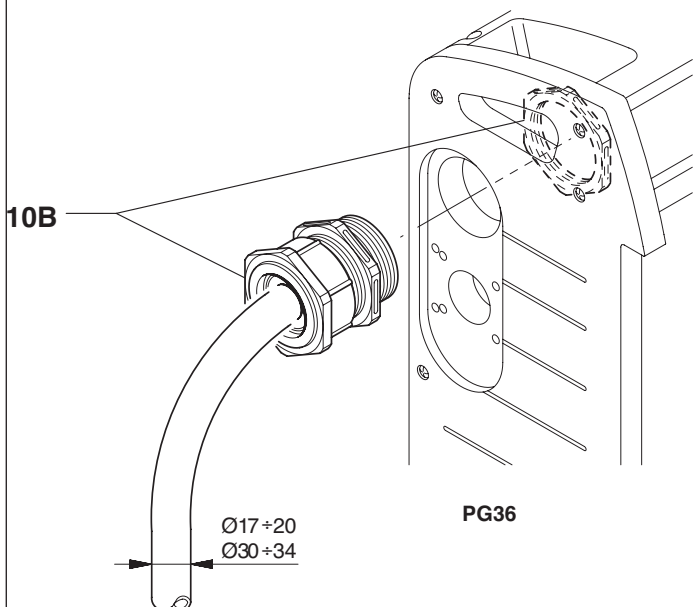
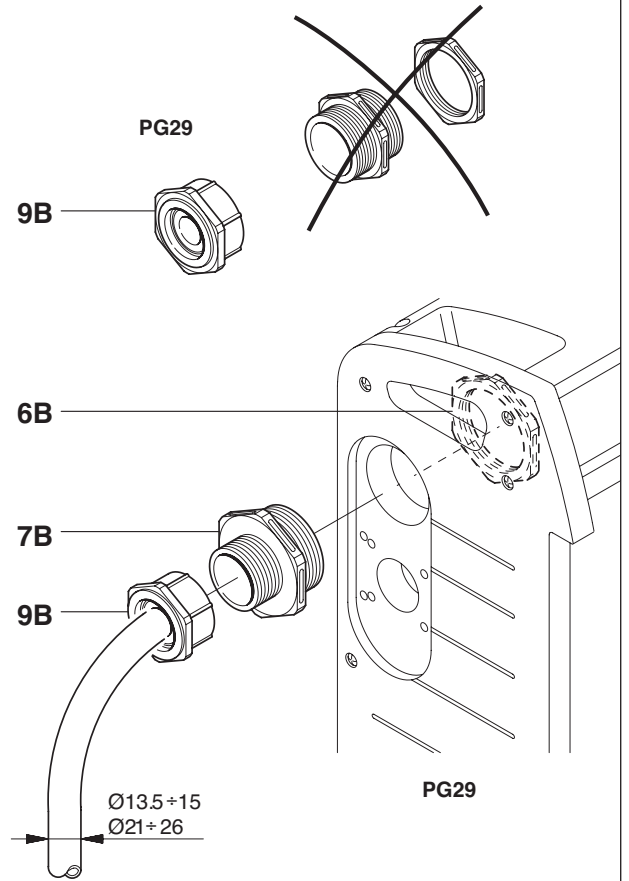
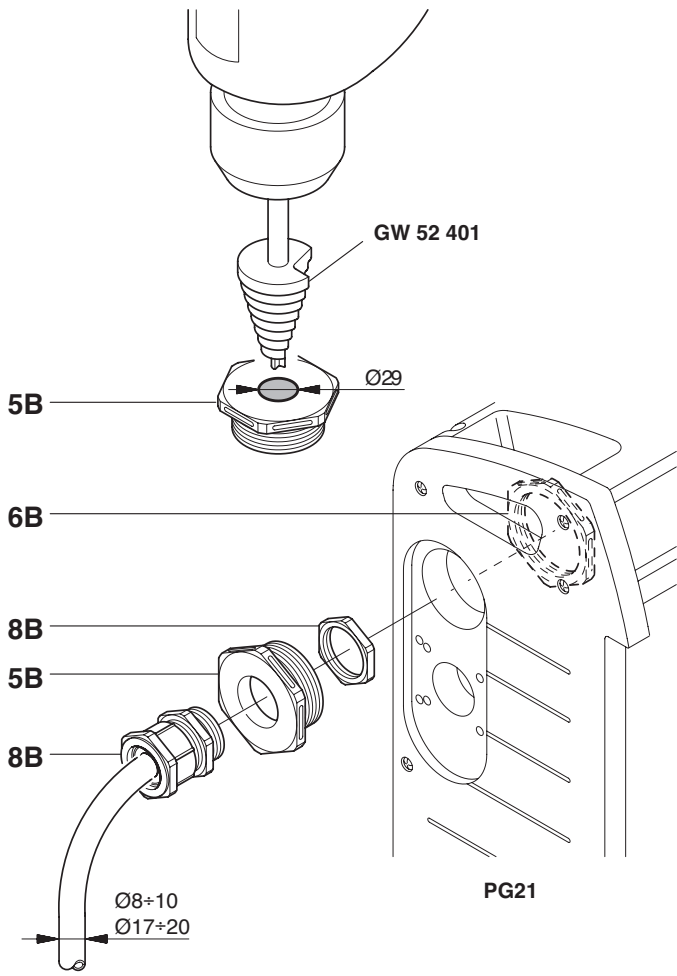
GW 44 616
GW 44 626

GW 44 611 - 3P 10/16 mm
GW 44 612 - 5P 10/16 mm
GW 44 613 - 3P 25/35 mm
GW 44 614 - 5P 25/35 mm



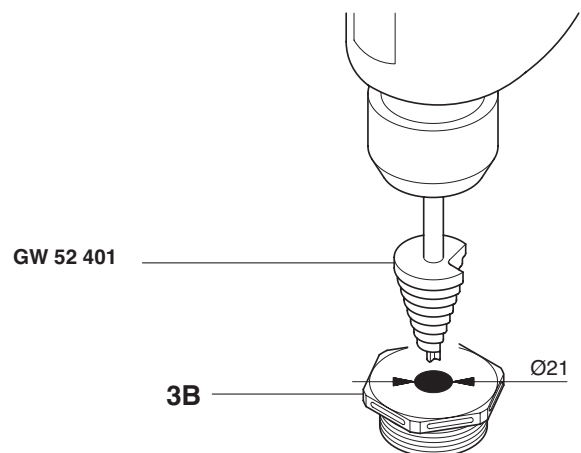
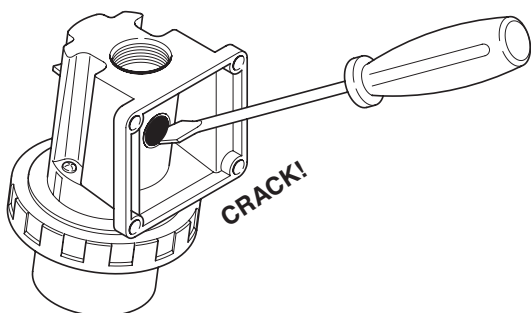
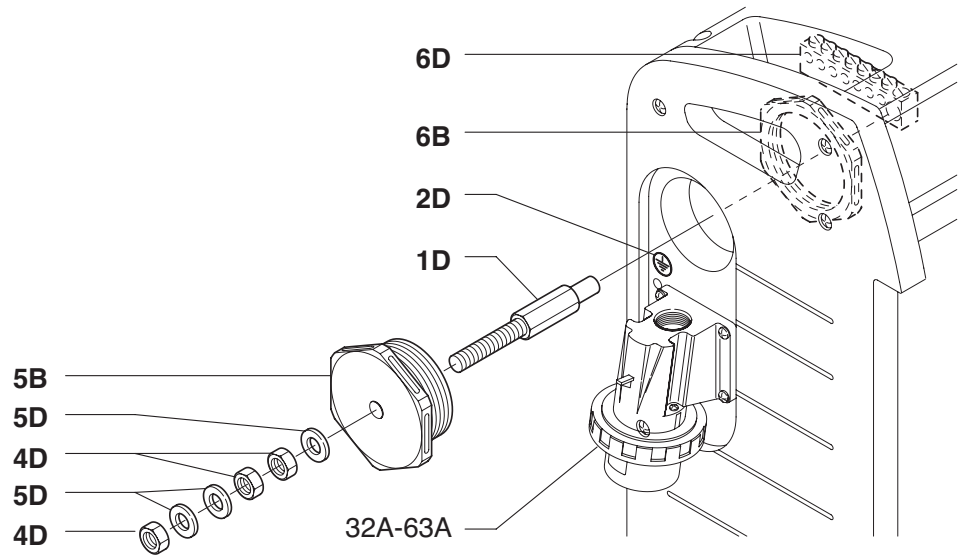
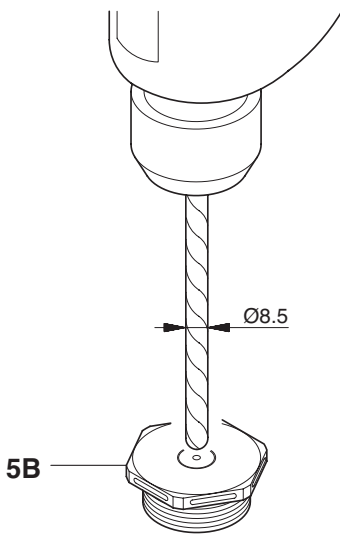
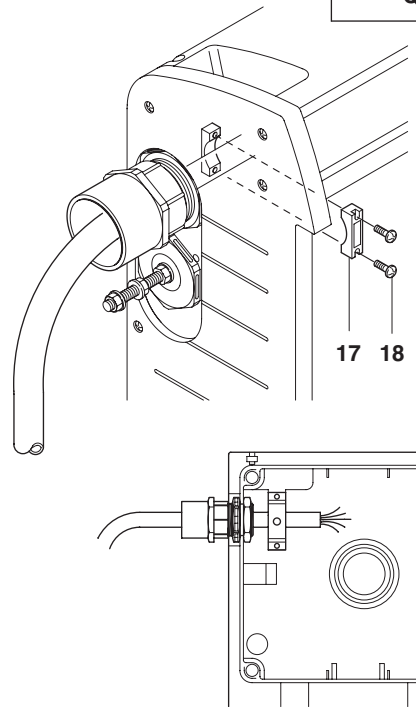
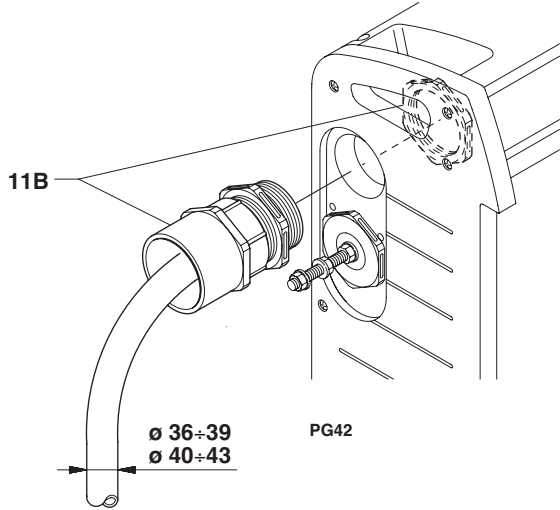


Q-BOX 4



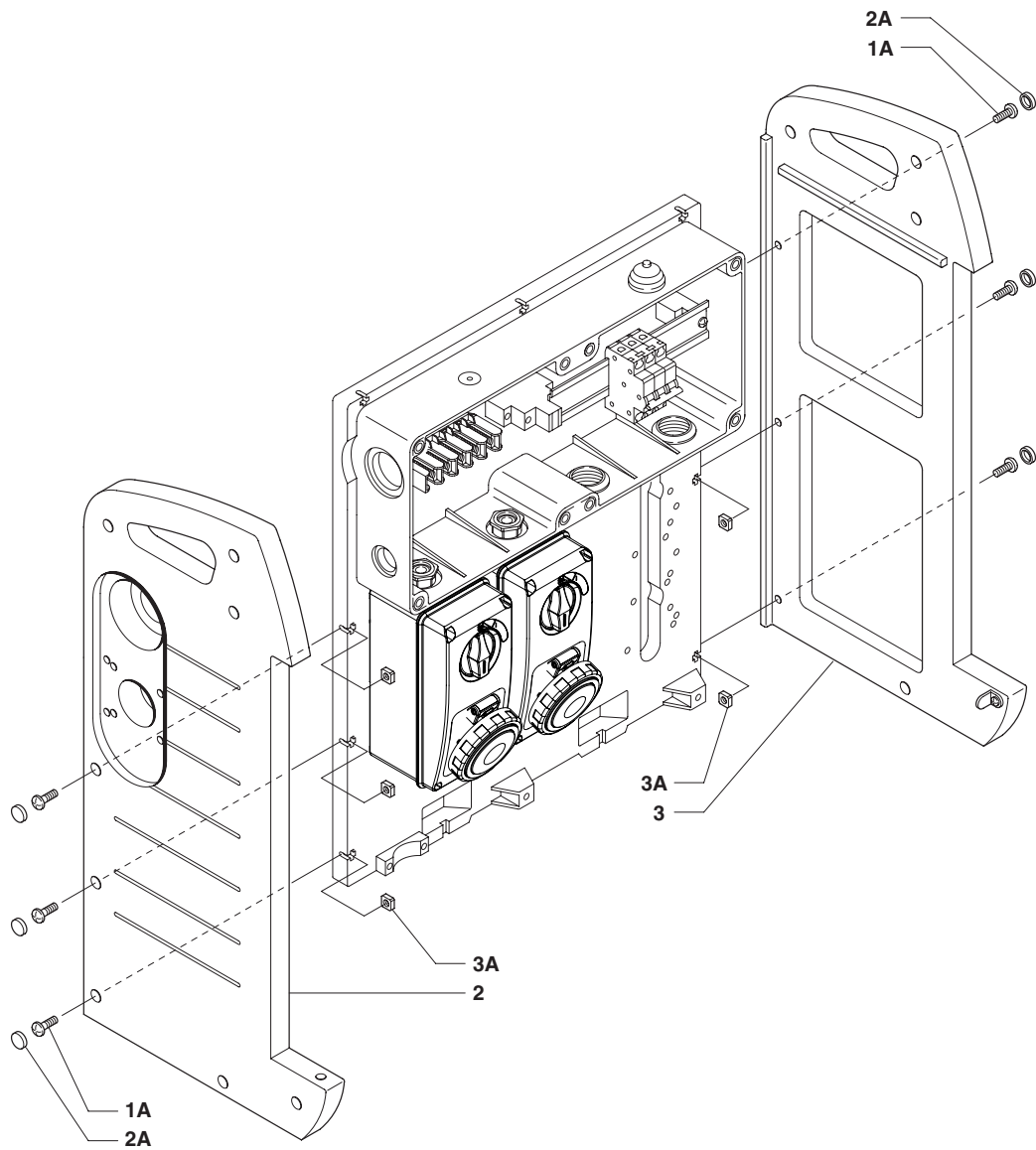
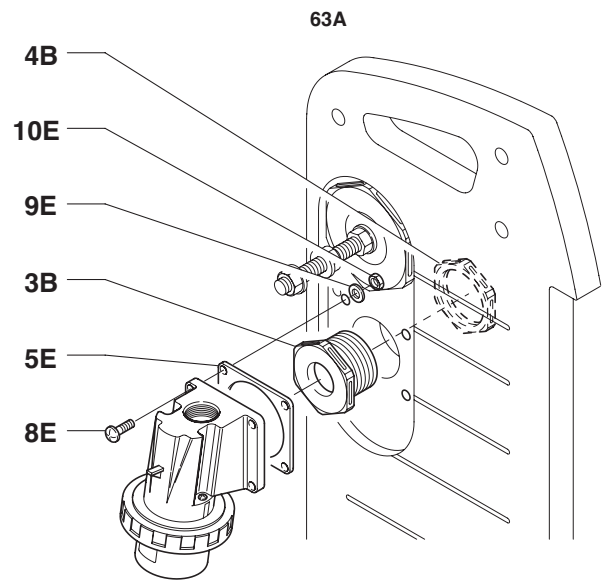
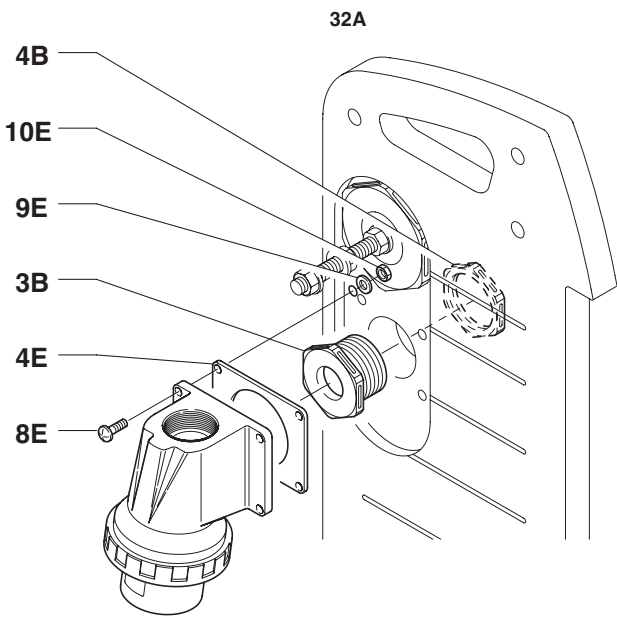


Q-BOX 4



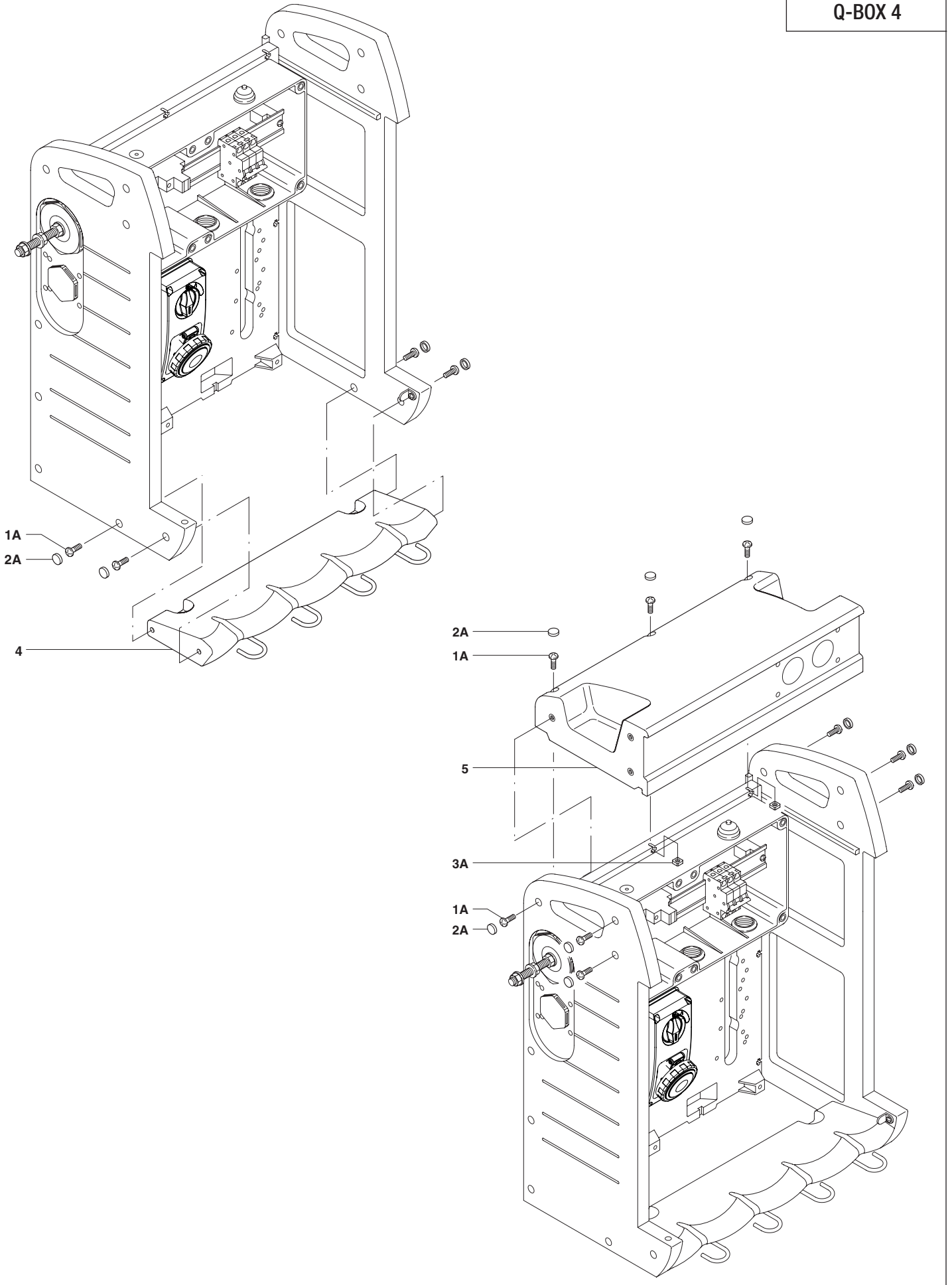


Q-BOX 4



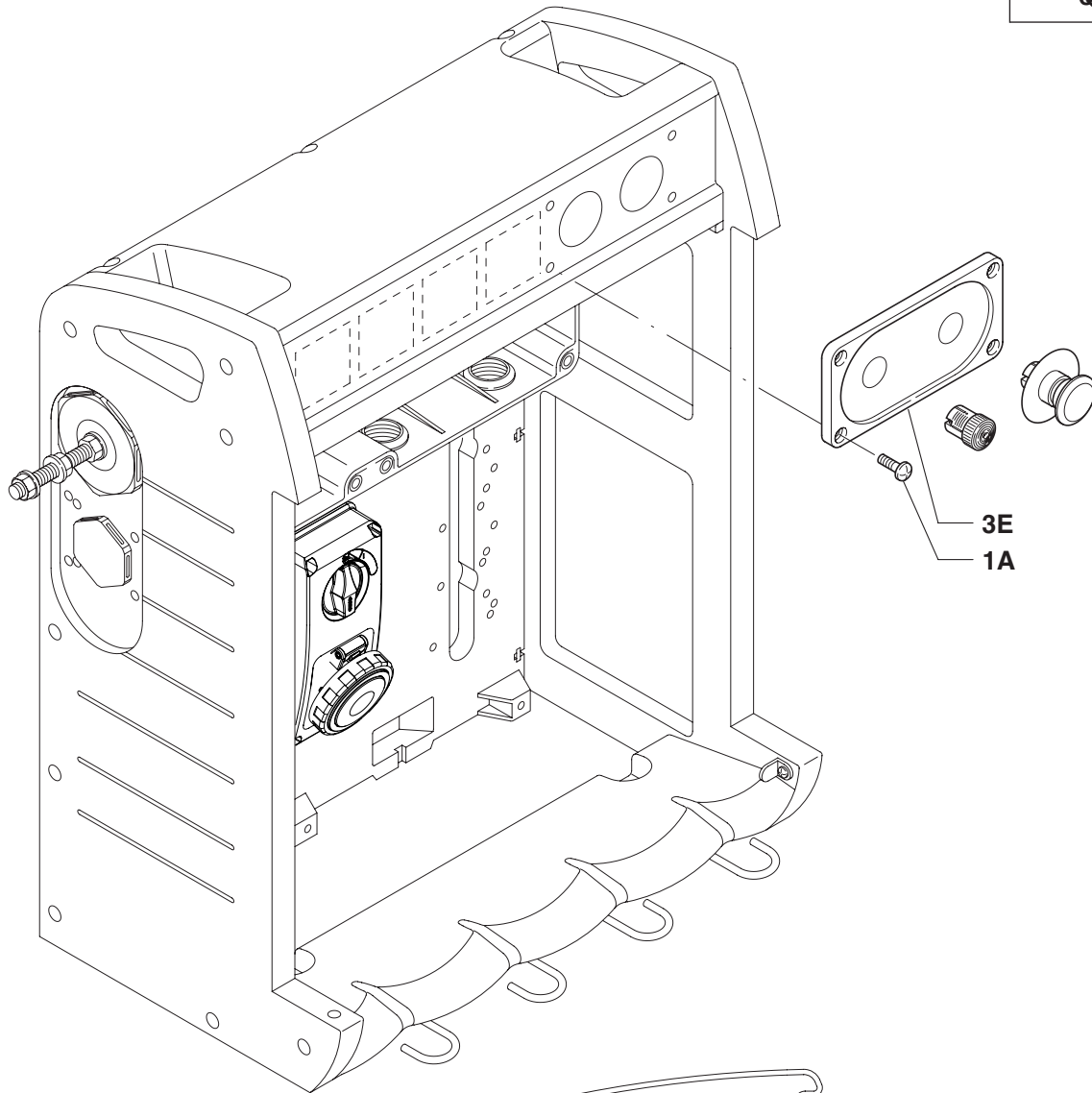


Q-BOX 4

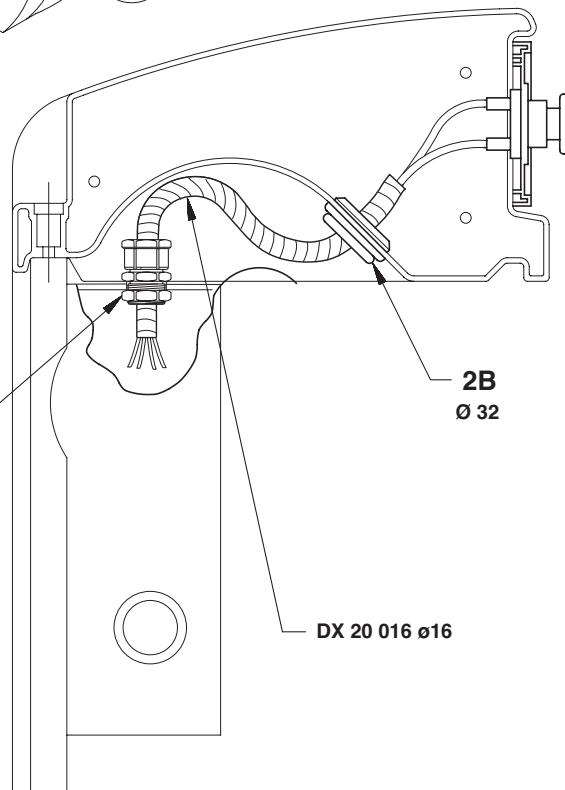




Q-BOX 4



GW 52 005

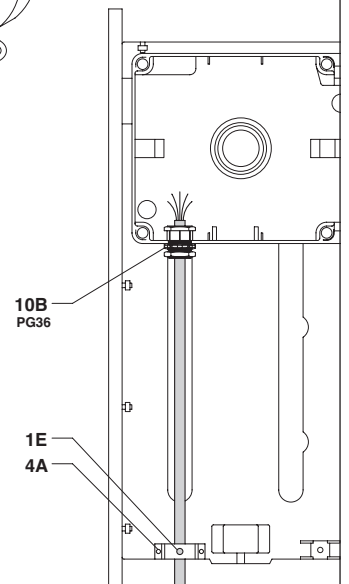
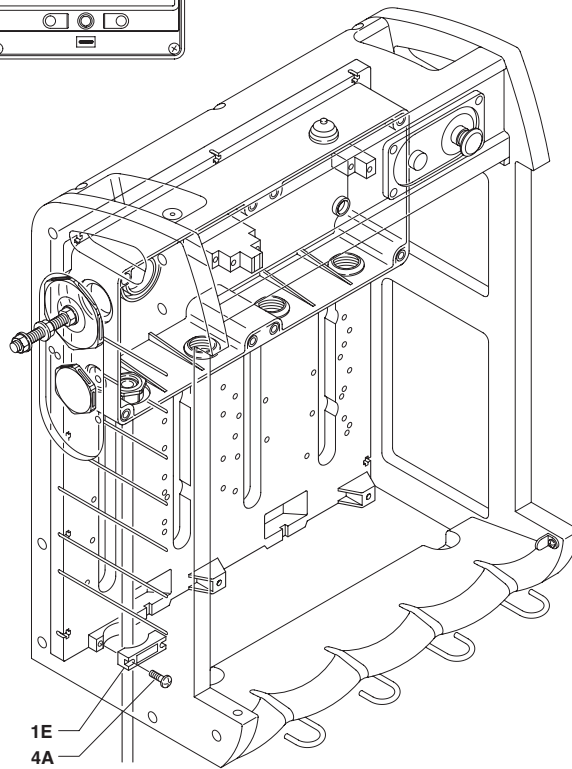
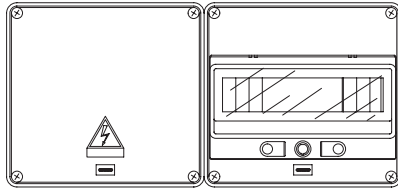
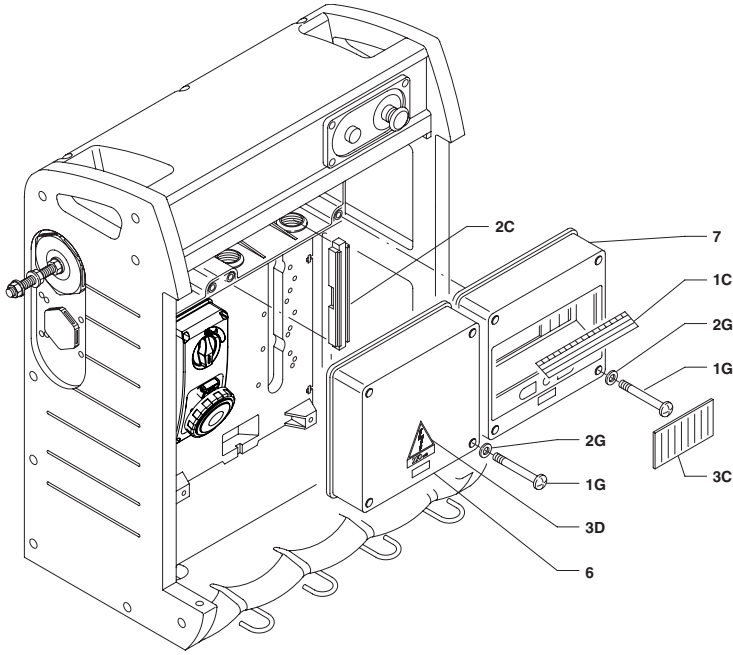


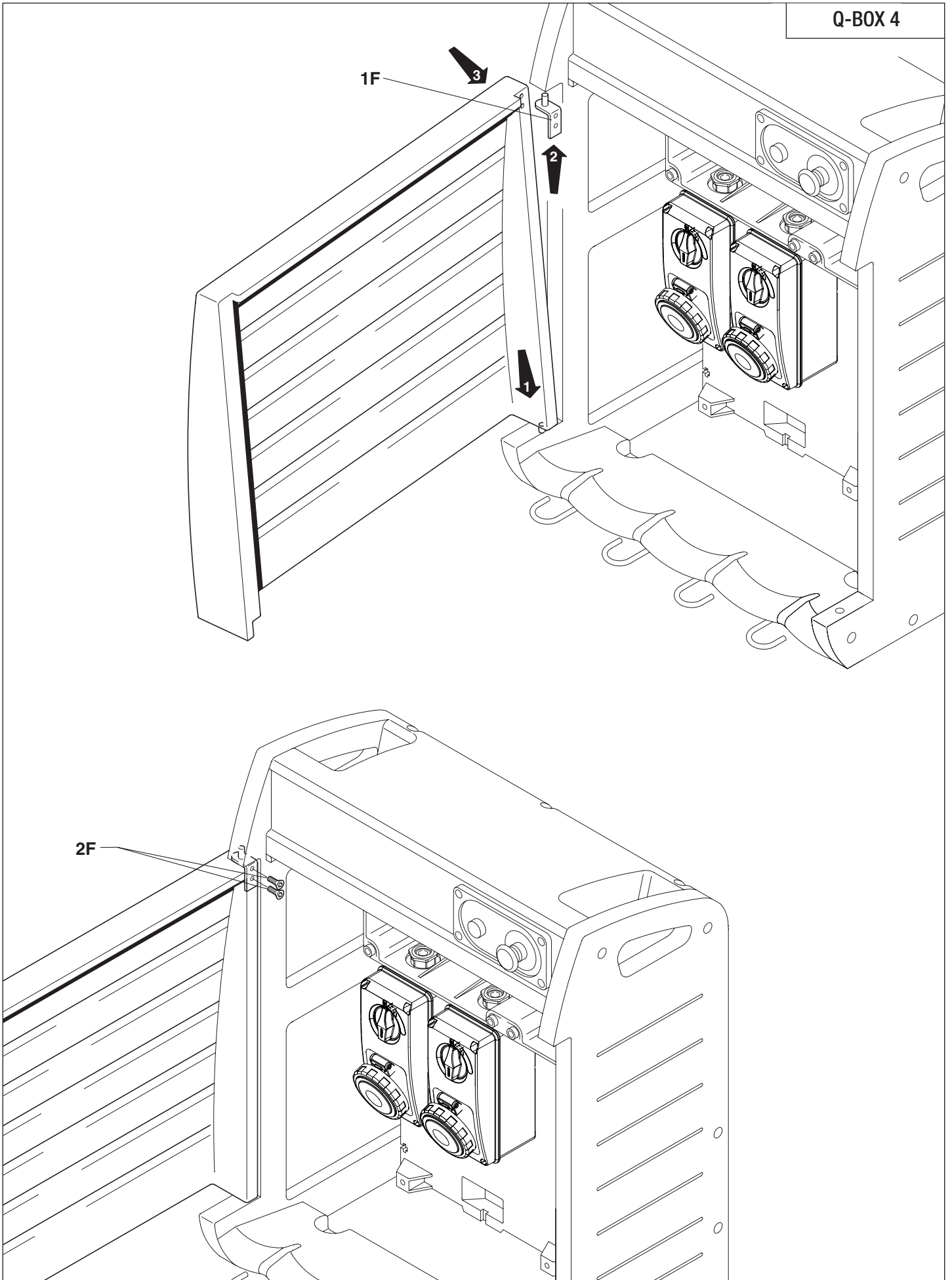
2B
Ø 32

DX 20 016 ø16



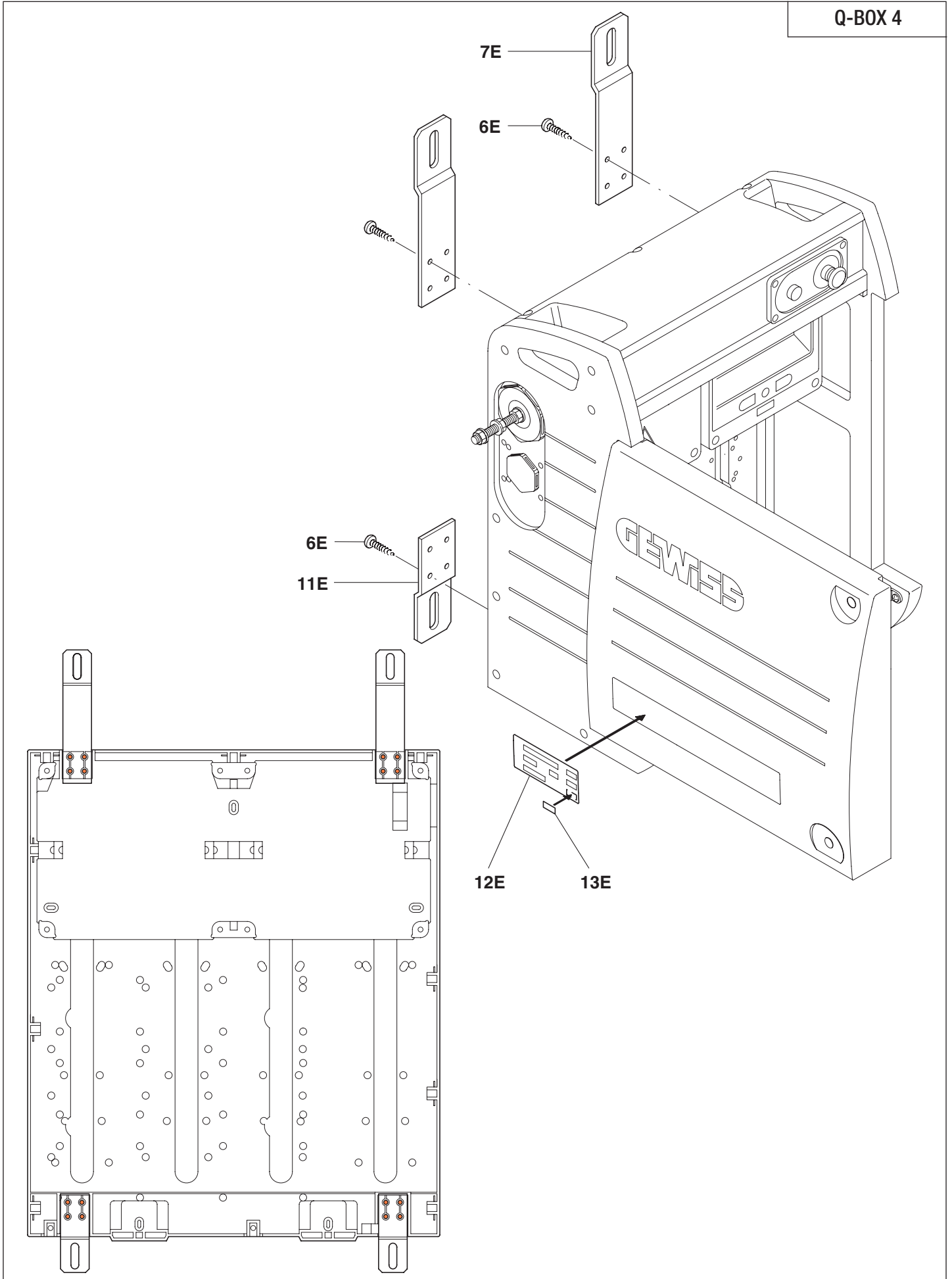
Q-BOX 4





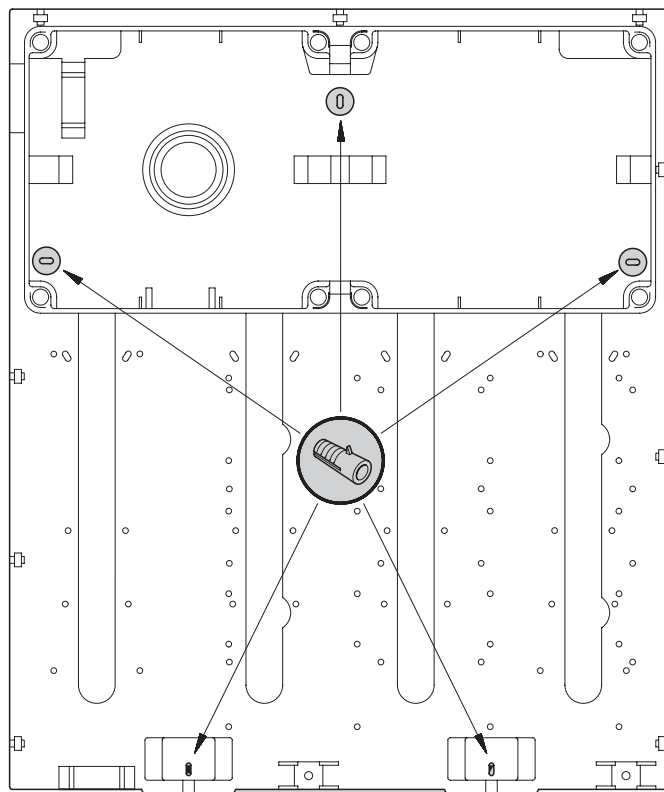
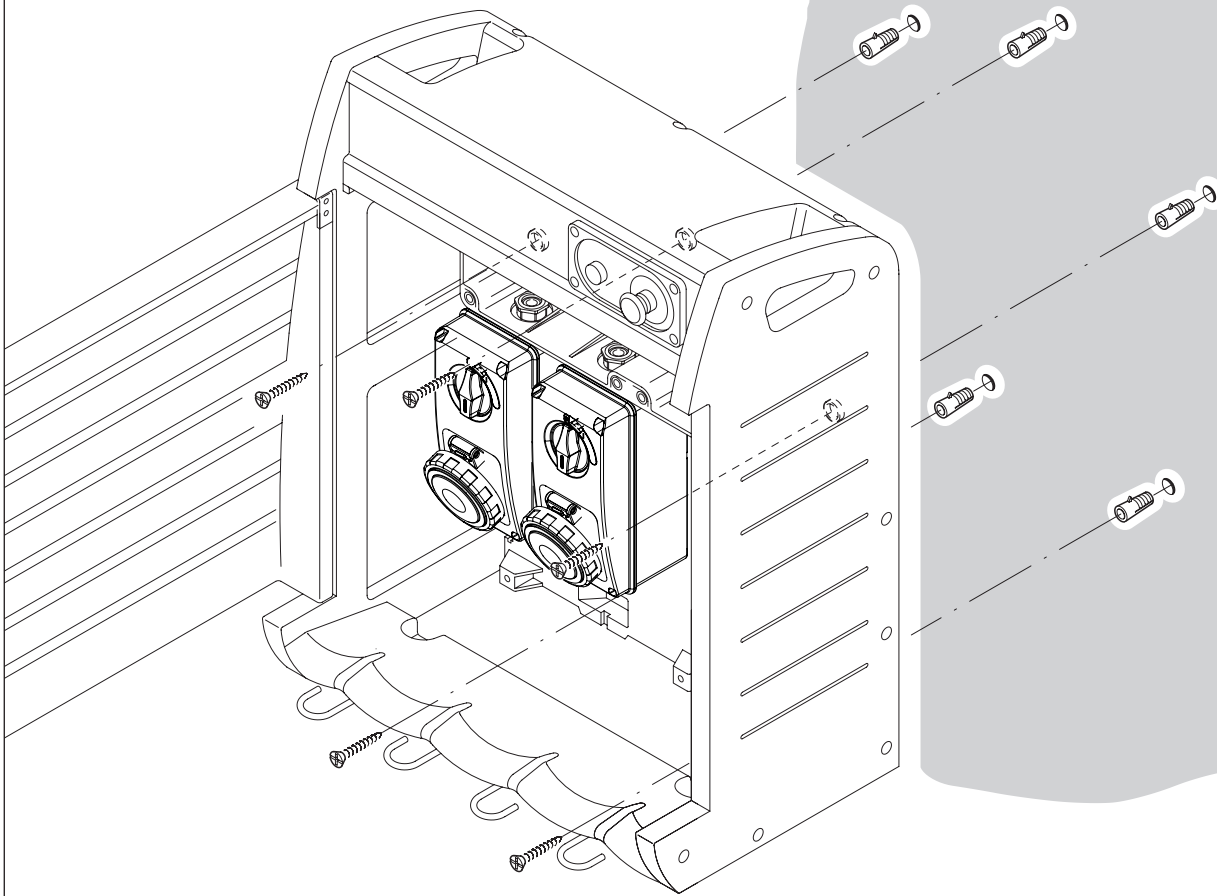


Q-BOX 4



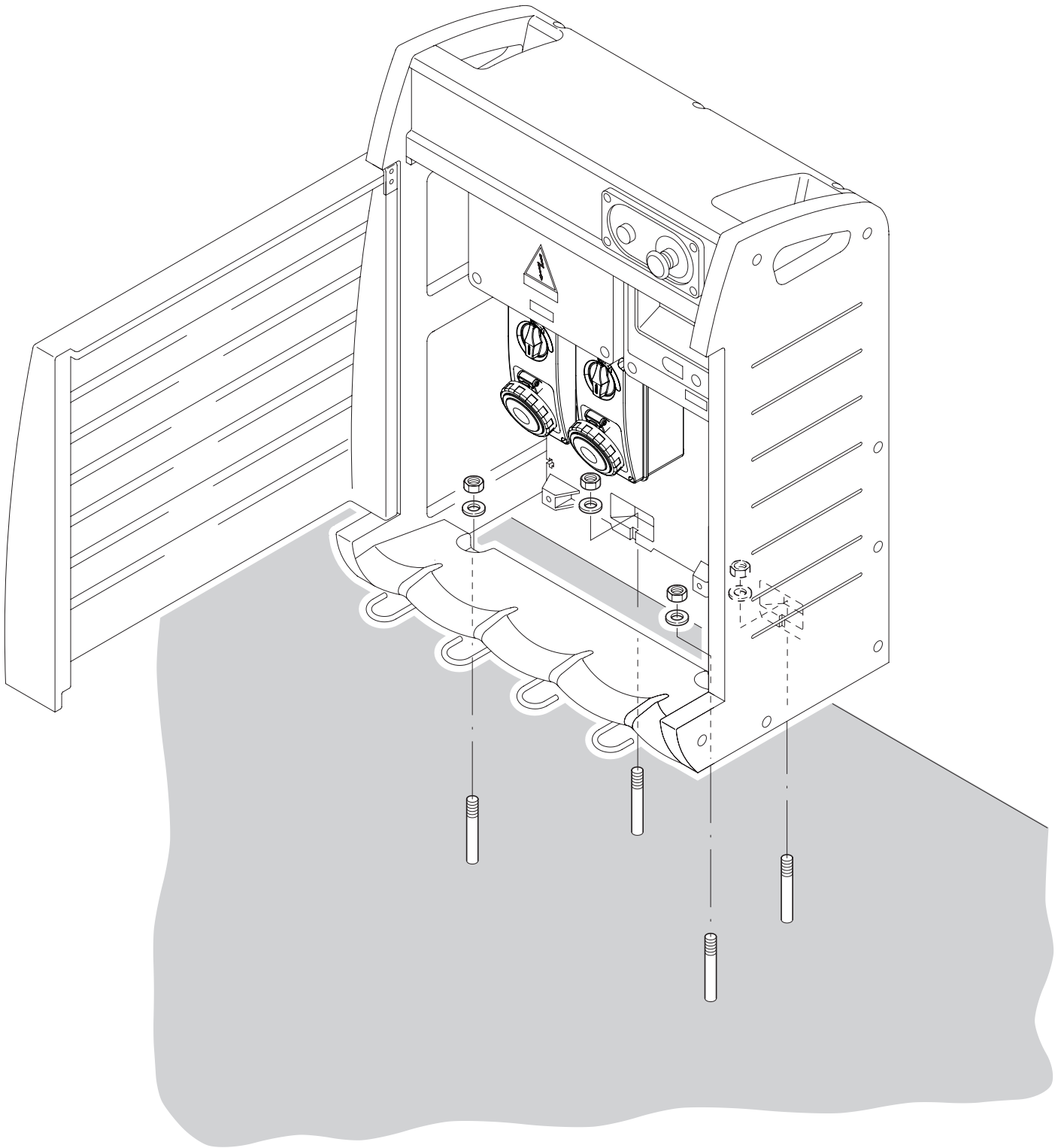


Q-BOX 4



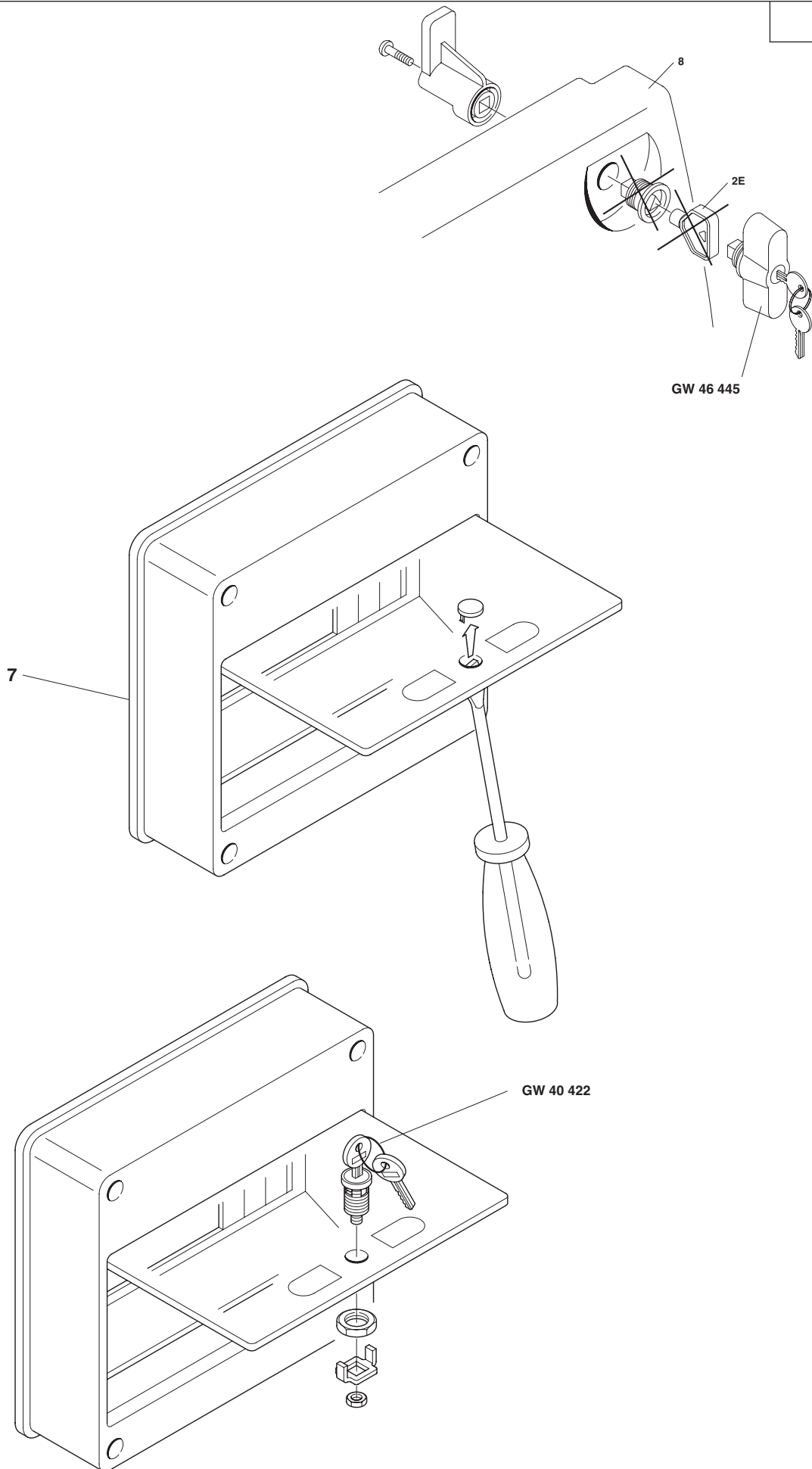


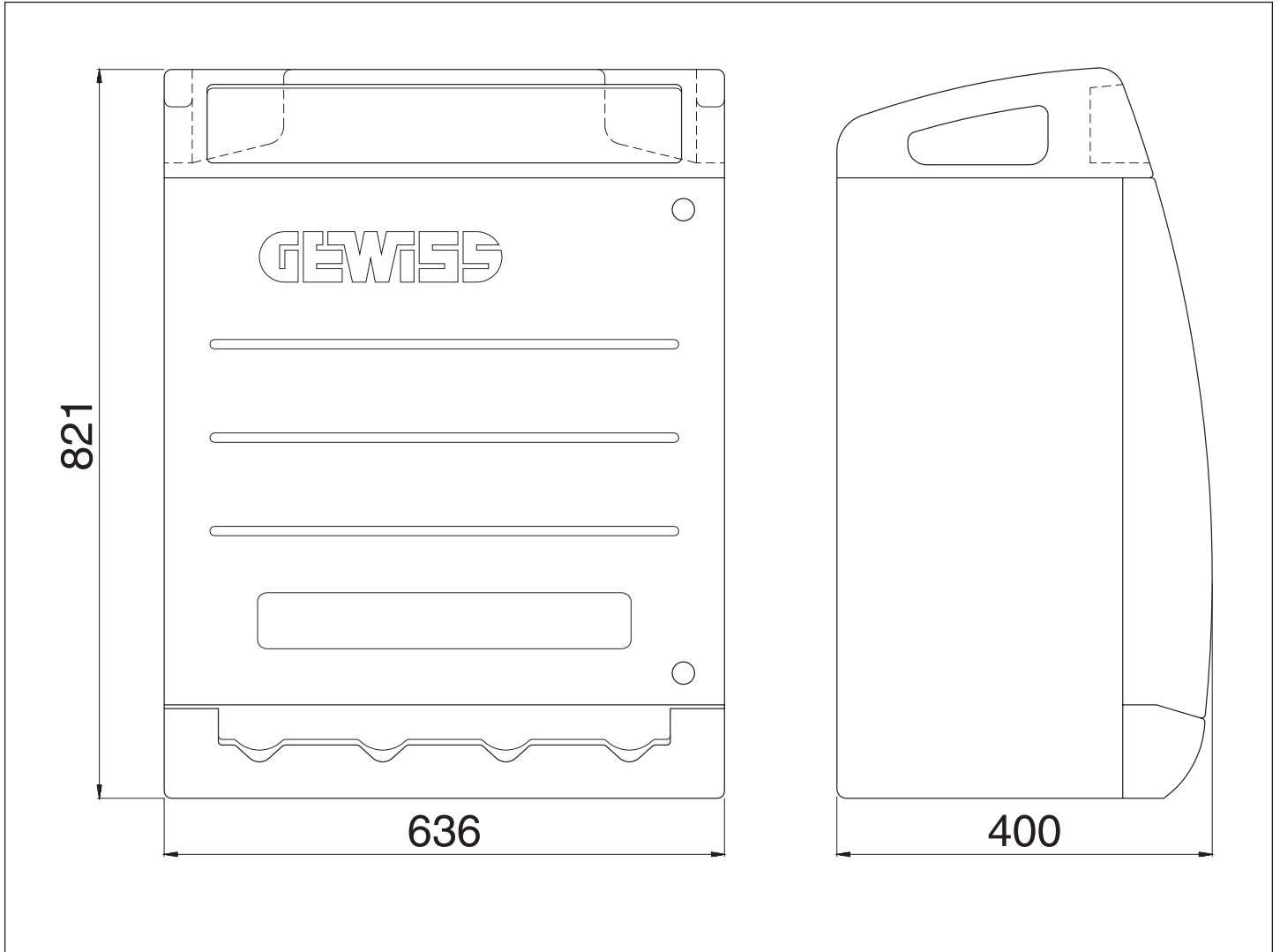
Q-BOX 4





Q-BOX 4





cod. 7.55.4.516.0

Punto di contatto indicato in adempimento ai fini delle direttive e regolamenti UE applicabili:

Contact details according to the relevant European Directives and Regulations:

GEWISS S.p.A. Via A.Volta, 1 IT-24069 Cenate Sotto (BG) Italy tel: +39 035 946 111 E-mail: qualitymarks@gewiss.com



+39 035 946 111

8.30 - 12.30 / 14.00 - 18.00
lunedì - venerdì - monday - friday



+39 035 946 260



sat@gewiss.com
www.gewiss.com

ULTIMA REVISIONE 11/2020