

# WOJP00431

WOJP00431



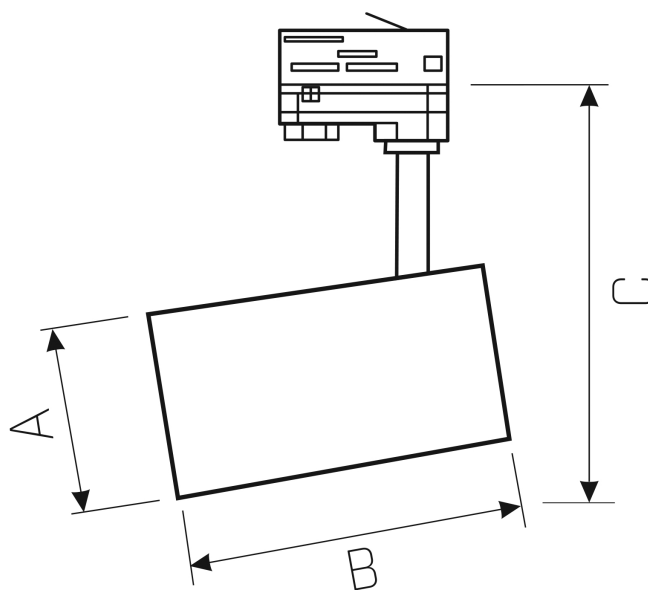
---

Power	<b>27 W</b>	Voltage	<b>230 V</b>
Colour temperature	<b>4000 K</b>	Colour of light	<b>Neutral white</b>
Beam angle	<b>36 °</b>	Degree of protection (IP)	<b>IP20</b>

---

## Technical data

Code	WQJP00431
Power	27 W
Nominal current	0.1291 mA
Voltage	230 V
Energy consumption	27 kWh/1000h
Frequency	50HZ Hz
Protection class	I
Power supply included	Yes
Manufacturer of power supply	TRIDONIC
Power factor	0.93
Useful luminous flux*	3780 lm (360°)
Luminous flux**	2970 lm (360°)
Lamp efficacy	140 lm/W
Colour temperature	4000 K
Colour of light	Neutral white
Beam angle	36 °
RA	80
Light source included	Yes
Producer of LED diodes	CREE
Uniformity of color SDCM max	3
Dimmable	No
Working temperature range	-20/+40 °
Lifespan	50000 h
Housing material	Aluminum
Degree of protection (IP)	IP20
Colour	Black
Dimension (AxBxC)	0130x220x245 mm
For use	Inside
Assembly method	on track
Application	Inside
Made in	PL



## Related documents



 Declaration of Conformity