


22262112	DATA SHEET	
Valid from: 12.09.2019	AB-C3-M8FA	

Product description

Sensor/actuator connector, angled socket M8, 3-pos., screw connection, metal knurl, cable diameter max. 5 mm



General properties

Ambient temperature	-40 to +85 °C
Protection degree	IP67
Number of contacts	3
Coding	A
Outer diameter, cable	3.5 – 5.0 mm
Termination type	screw connection
Termination cross section, AWG	26 – 20
Termination cross section, mm ²	0.14 – 0.5
Mating cycles	100

Electrical properties

Rated voltage	60 V
Contact resistance	≤ 3 mΩ
Insulation resistance	≥ 10 TΩ
Proof voltage, contact-contact	≥ 1.00 kV
Proof voltage, contact-housing	≥ 0.85 kV
Rated current	4 A
Overvoltage category	II
Pollution degree	3


Materials

Contact carrier	PA
Contact carrier, inflammability class in accordance with UL 94	V0
Contacts, base material	CuZn
Contacts, surface	Au
Knurl	Brass, Ni plated
Grip body	PA
Sealing	NBR/FKM

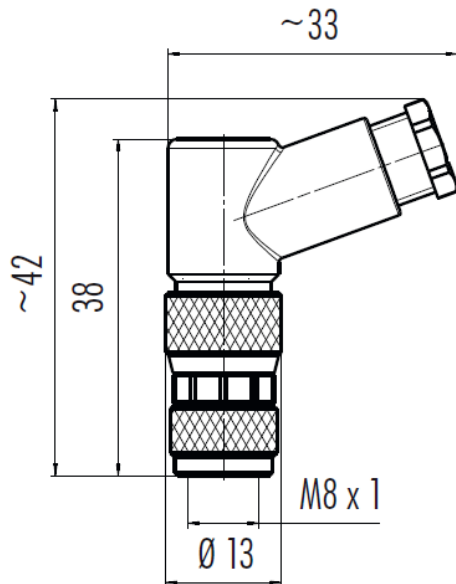
Standards

Product standard	M8-Connector acc. to DIN EN 6 1076-2-104
------------------	--

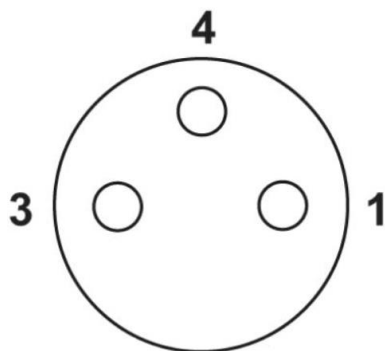
Creator: MANA2/PDP Released: IVSE1/PDP	Document: DB22262112EN Version: 03	Page 1 of 2
---	---------------------------------------	-------------

22262112	DATA SHEET	
Valid from: 12.09.2019	AB-C3-M8FA	

Drawings



Pin assignment



Note

Photographs are not true to scale and do not represent detailed images of the respective products.

Creator: MANA2/PDP Released: IVSE1/PDP	Document: DB22262112EN Version: 03	Page 2 of 2
---	---------------------------------------	-------------