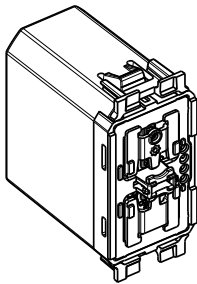


## Flush wireless switches



K4003CWI



K4027CWI

K4570CWI

K4574CWI

### Use

It is equipped with 2 buttons for activating Home / Away - Wake up / Sleep scenarios or ON/OFF control of one or more connected switches or control of one or more connected rolling shutter switches.  
Scenarios can be customized by the Home + Control app.  
Flush installation into a flush mounting box. Integrated LED for low battery indication.  
- 1 module.

### Standards and approvals

The undersigned, BTICINO, declares that the radio-electric equipment type (K4570CWI - K4574CWI - K4003CWI - K4027CWI) complies with directive 2014/53/EU.  
The full text of the EU declaration of conformity is available on the following website: [www.bticino.it/red](http://www.bticino.it/red)

### Range

Designation	Cat. Nos.	
Designation	Cat. No(s)	Related Cover code
Connected switch supplied complete. Equipped with an LED indicator. Hidden reset button used to return to factory settings.	K4003CWI K4027CWI K4570CWI K4574CWI	KW01-KM01-KG01 KW32-KM32-KG32 KW40-KM40-KG40 KW41-KM41-KG41

### Colours code:

- White KW
- Sand KM
- Black KG

### Technical characteristics

#### - Mechanical characteristics

Protection against impacts: IK 02  
Protection against solid bodies/liquids: IP 20 without plate and rocker plate

#### - Material characteristics

Mechanism casing ABS  
Mechanism functional cover: PC

Halogen-free  
UV resistant

Self-extinguishing: 650°C/30 s

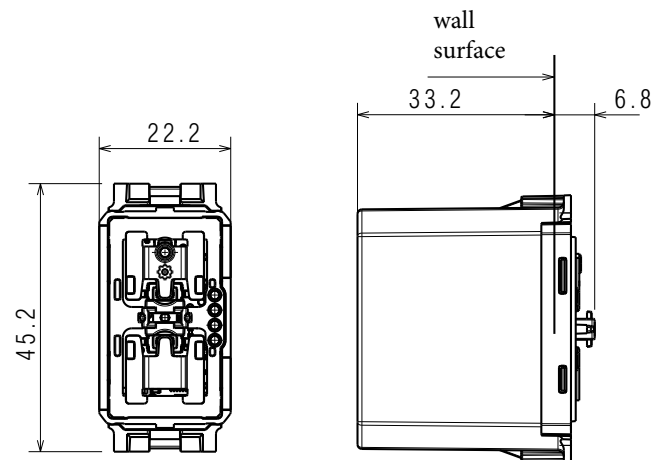
#### - Electrical characteristics

Powered by a CR2032 - 3 V lithium battery (supplied)  
Battery life: 8 years for 10 activations a day  
ZigBee radio technology frequency: 2.4 GHz to 2.4835 GHz  
Wireless mesh network, self-adaptive and secure (AES 128), conforming to standard IEEE 802.15.4 (LR-WPAN)  
Power level: < 100 mW

#### - Climate characteristics

Usage temperature: +5°C to +45°C  
Storage temperature: 0°C to +45°C

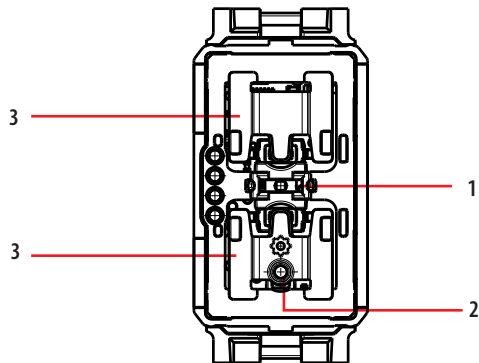
### Overall dimensions (mm)



## Flush wireless switches

## Operation

Front view



## Legend

1. LED indicator: useful during installation
2. RESET button used to return to factory settings
3. Control pushbutton

## Cleaning

Clean the surface with a cloth.

Do not use acetone, tar-removing cleaning agents or trichloroethylene.

**Caution: Always test before using special cleaning products.**

The plates must not be painted.



Take care to recycle the battery appropriately.

RAEE/WEEE: [bticino.com/disposal](http://bticino.com/disposal)