

# THORGEON

SENSORS

## MICROWAVE SWITCH SENSOR

02017



Scan me

[www.thorgeon.com/02017](http://www.thorgeon.com/02017)

Manufactured in PRC



LED  
POWER  
1000W

360°

8m

TIME

LUX

IP20

220-240V

2-6m

-20°C

+40°C

Hz

INDOOR

CE EAC UK CA 

# THORGEON



[www.thorgeon.com](http://www.thorgeon.com)

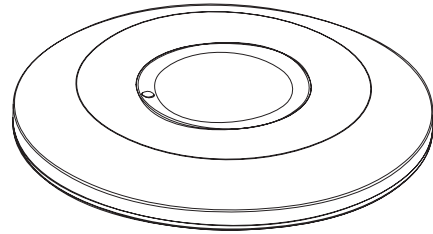
SIA "ATTA-1", Daugavgrivas street 77,  
Riga, Latvia, LV-1007



4751029893529

Developed in Latvia

Sensor works by receiving human motion. When one enters the detection field, it can start the load at once and identify automatically day and night. Its installation is very convenient and its using is very wide. Detection is possible to go through doors, panes of glass or thin walls.



### SPECIFICATION:

Power Sourcing: 220 -240V/AC  
 Power Frequency: 50/60Hz  
 Ambient Light: <3-2000LUX (adjustable)  
 Time Delay: Min.10sec±3sec  
                   Max.12min±1min  
 Rated Load: 2000W ☀  
                   1000W ⚡  
                   1000W LED

Detection Range: 360°  
 Detection Distance: 1-8m (radius), adjustable  
 HF System: 5.8GHz CW radar, ISM band  
 Transmission Power: <0.2mW  
 Installing Height: 2-6m  
 Power Consumption: approx 0.9W  
 Detection Motion Speed: 0.6-1.5m/s

### FUNCTION:

Can identify day and night: It can work in the daytime and at night when it is adjusted on the "sun" position (max). It can work in the ambient light less than 3LUX when it is adjusted on the "3" position (min). As for the adjustment pattern, please refer to the testing pattern.

SENS adjustable: It can be adjusted according to using location. The detection distance of low sensitivity could be only 2m and high sensitivity could be 16m which fits for large room.

Time-Delay is added continually: When it receives the second induction signals within the first induction, it will restart to time from the moment.

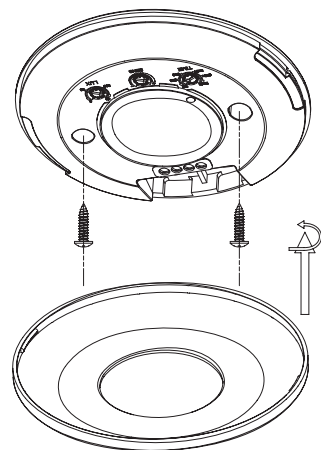
Time-Delay is adjustable. It can be set according to the consumer's desire. The minimum time is 10sec±3sec. The maximum is 12min±1min.

### INSTALLATION: (see the diagram)

Please move the upper cover with anti-clockwise whirl as per the diagram on the right.

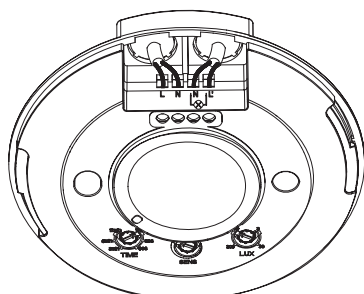
Connect the power and the load according to the connection-wire diagram.

Fix the bottom on the selected position with the inflated screw. Install back the upper cover on the sensor, then you could switch on the power and test it.

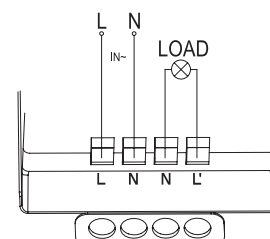
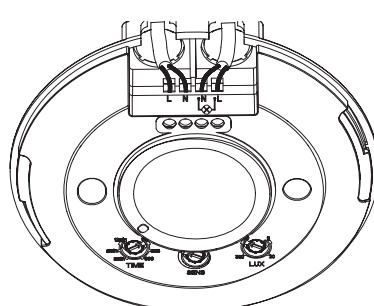


### CONNECTION-WIRE DIAGRAM:

The wires come in and out from the bottom



The wires come in and out from the side



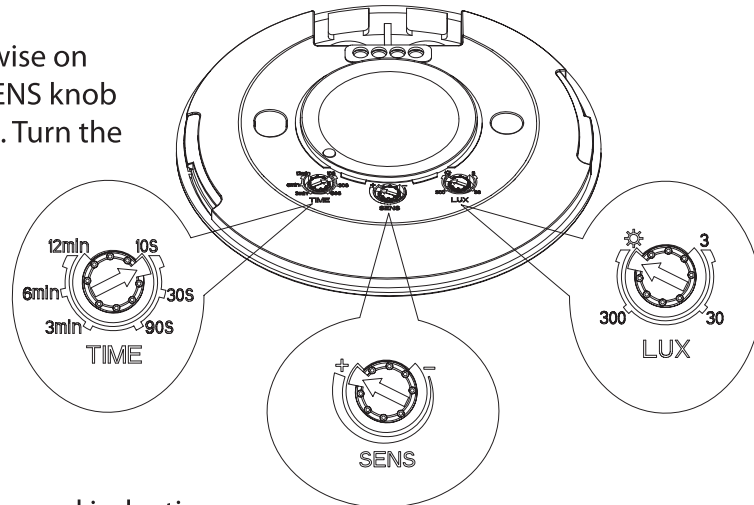
**TEST:**

Turn the TIME knob anti-clockwise on the minimum (10s). Turn the SENS knob clockwise on the maximum (+). Turn the LUX knob clockwise on the maximum (sun).

When you switch on the power, the light will be on at once. And  $10\text{sec} \pm 3\text{sec}$  later the light will be off automatically. Then if the sensor receives induction signal again, it can work normally.

When the sensor receives the second induction signals within the first induction, it will restart to time from the moment.

Turn LUX knob anti-clockwise on the minimum (3). If the ambient light is less than 3LUX (darkness), the inductor load could work when it receives induction signal.



**Note: when testing in daylight, please turn LUX knob to ☀ (SUN) position, otherwise the sensor lamp could not work!**

**NOTES:**

Electrician or experienced human can install it.

Can not be installed on the uneven and shaky surface

In front of the sensor there shouldn't be obstructive object affecting detection.

Avoid installing it near the metal and glass which may affect the sensor.

For your safety, please don't open the case if you find hitch after installation.

In order to avoid the unexpected damage of product, please add a safe device of current 6A when installing microwave sensor, for example, fuse, safe tube etc.

**SOME PROBLEM AND SOLVED WAY:**

The load does not work:

- Please check if the connection of power source and load is correct.
- Please check if the load is good.
- Please check if the settings of working light correspond to ambient light.

The sensitivity is poor:

- Please check if there is any hindrance in front of the detector to affect it to receive the signals.
- Please check if the ambient temperature is too high.
- Please check if the induction signal source is in the detection field.
- Please check if the installation height corresponds to the height required in the instruction.
- Please check if the moving orientation is correct.

The sensor can not shut off the load automatically:

- Please check if there is continual signal in the detection field.
- Please check if the time delay is set to the maximum position
- Please check if the power corresponds to the instruction.