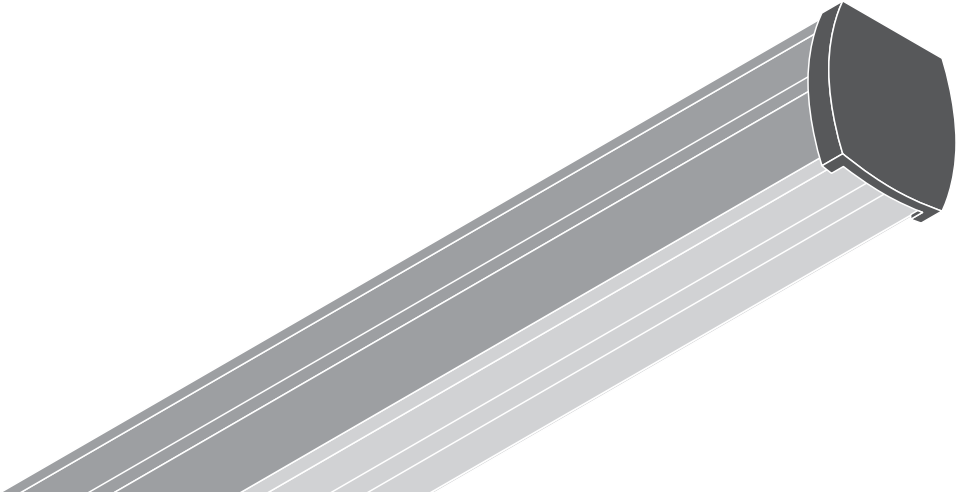
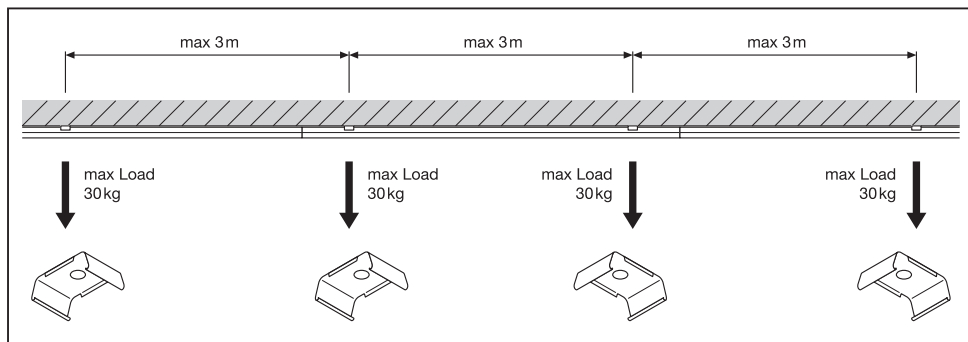
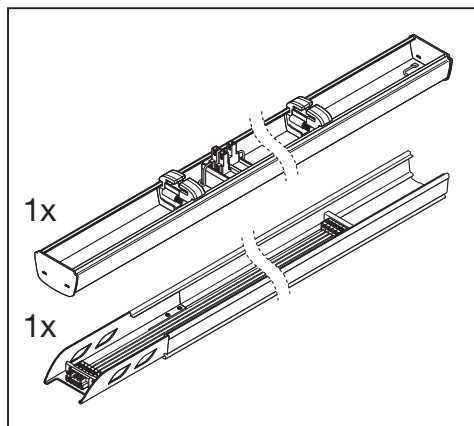


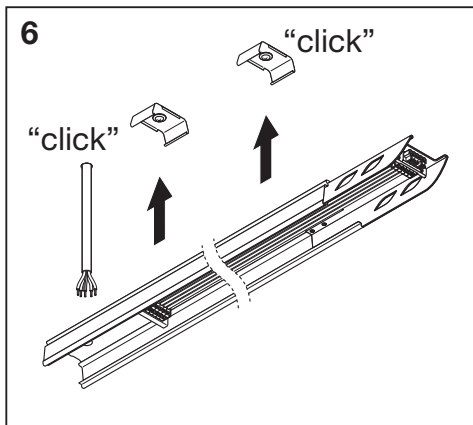
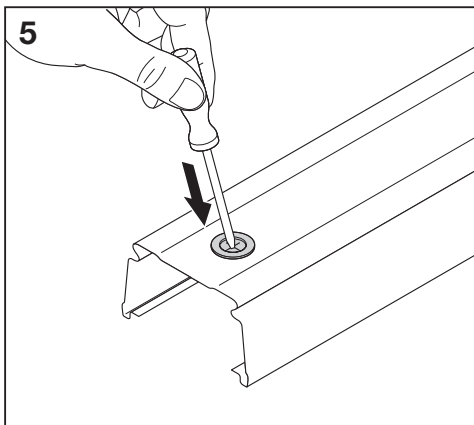
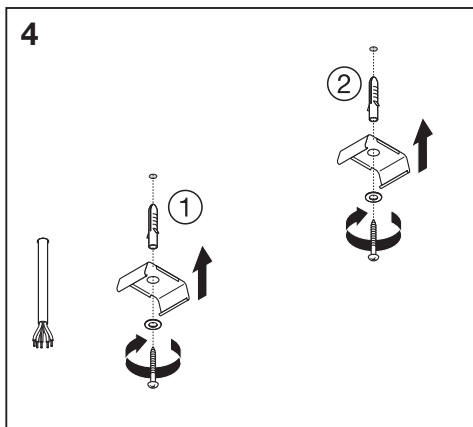
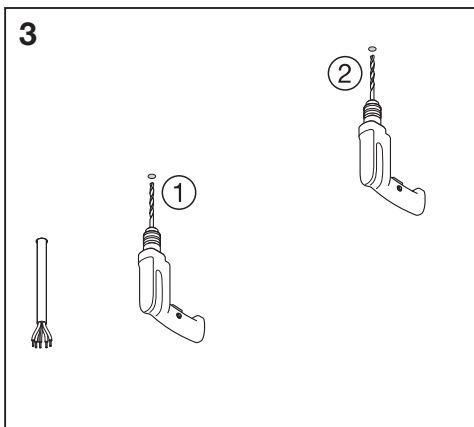
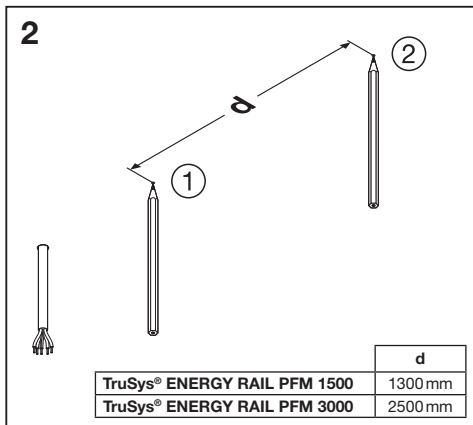
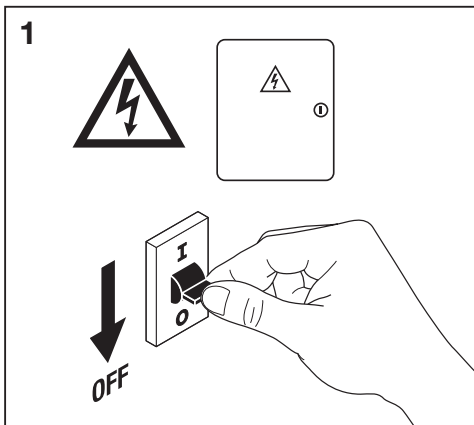
## TruSys® TRUNKING SYSTEM PFM ON/OFF



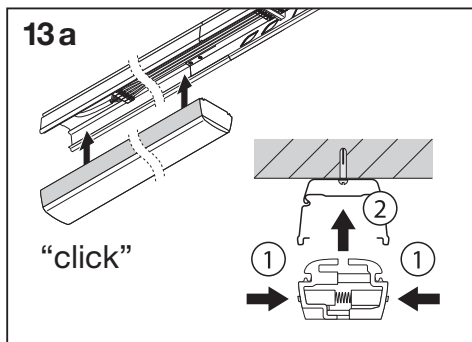
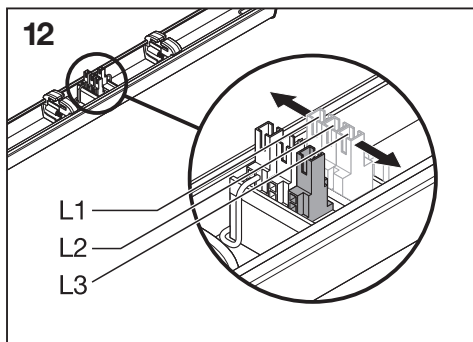
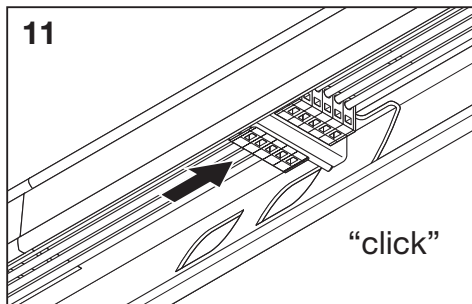
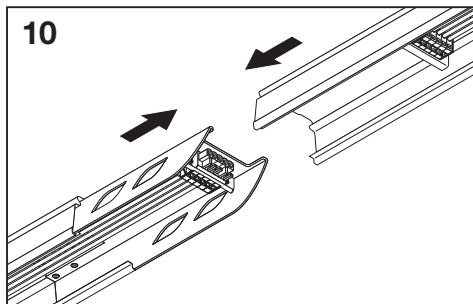
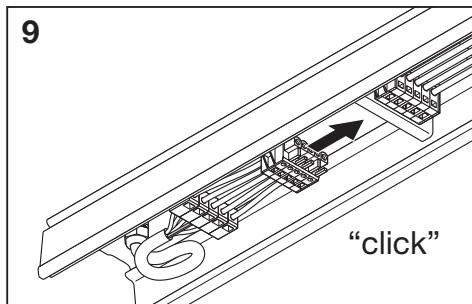
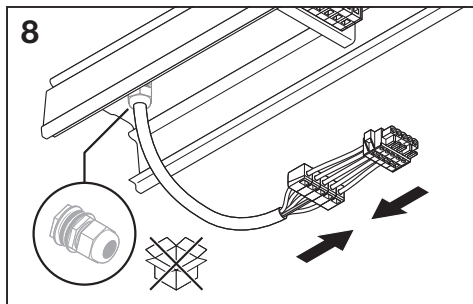
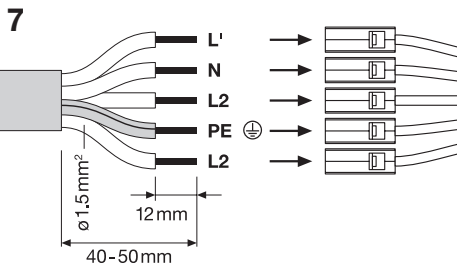
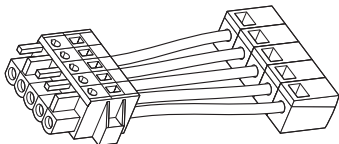
|                                      | EAN           | l x w x h<br>[mm] | W  | VAC      | Hz      | lm    | lm/W |
|--------------------------------------|---------------|-------------------|----|----------|---------|-------|------|
| TRUSYS PFM 35W/4000K VW              | 4058075290921 | 1500x65.8x77.4    | 35 | 220-240V | 50/60Hz | 5600  | 160  |
| TRUSYS PFM 50W/4000K VW              | 4058075398771 | 1500x65.8x77.4    | 50 | 220-240V | 50/60Hz | 8000  | 160  |
| TRUSYS PFM 70W/4000K VW              | 4058075398818 | 1500x65.8x77.4    | 70 | 220-240V | 50/60Hz | 11200 | 160  |
| TRUSYS PFM 35W/4000K W               | 4058075290839 | 1500x65.8x77.4    | 35 | 220-240V | 50/60Hz | 5600  | 160  |
| TRUSYS PFM 50W/4000K W               | 4058075290853 | 1500x65.8x77.4    | 50 | 220-240V | 50/60Hz | 8000  | 160  |
| TRUSYS PFM 70W/4000K W               | 4058075290891 | 1500x65.8x77.4    | 70 | 220-240V | 50/60Hz | 11200 | 160  |
| TRUSYS PFM 35W/4000K N               | 4058075398719 | 1500x65.8x77.4    | 35 | 220-240V | 50/60Hz | 5600  | 160  |
| TRUSYS PFM 50W/4000K N               | 4058075290945 | 1500x65.8x77.4    | 50 | 220-240V | 50/60Hz | 8000  | 160  |
| TRUSYS PFM 70W/4000K N               | 4058075290969 | 1500x65.8x77.4    | 70 | 220-240V | 50/60Hz | 11200 | 160  |
| TRUSYS PFM 35W/4000K VN              | 4058075398696 | 1500x65.8x77.4    | 35 | 220-240V | 50/60Hz | 5600  | 160  |
| TRUSYS PFM 50W/4000K VN              | 4058075398757 | 1500x65.8x77.4    | 50 | 220-240V | 50/60Hz | 8000  | 160  |
| TRUSYS PFM 70W/4000K VN              | 4058075290983 | 1500x65.8x77.4    | 70 | 220-240V | 50/60Hz | 11200 | 160  |
| TRUSYS PFM 35W/4000K DS              | 4058075398733 | 1500x65.8x77.4    | 35 | 220-240V | 50/60Hz | 5600  | 160  |
| TRUSYS PFM 50W/4000K DS              | 4058075398795 | 1500x65.8x77.4    | 50 | 220-240V | 50/60Hz | 8000  | 160  |
| TRUSYS PFM 70W/4000K DS              | 4058075398832 | 1500x65.8x77.4    | 70 | 220-240V | 50/60Hz | 11200 | 160  |
| TRUSYS PFM ENERGY RAIL 1500 5P 1x    | 4058075299566 | 1650x70.2x38.8    | -  | -        | -       | -     | -    |
| TRUSYS PFM ENERGY RAIL 1500 5P 10x   | 4058075299443 | 1650x70.2x38.8    | -  | -        | -       | -     | -    |
| TRUSYS PFM ENERGY RAIL 1500 5P E 1x  | 4058075354753 | 1500x70.2x38.8    | -  | -        | -       | -     | -    |
| TRUSYS PFM ENERGY RAIL 1500 5P E 10x | 4058045299474 | 1500x70.2x38.8    | -  | -        | -       | -     | -    |
| TRUSYS PFM ENERGY RAIL 3000 5P 1x    | 4058075354777 | 3150x70.2x38.8    | -  | -        | -       | -     | -    |
| TRUSYS PFM ENERGY RAIL 3000 5P 10x   | 4058075299498 | 3150x70.2x38.8    | -  | -        | -       | -     | -    |

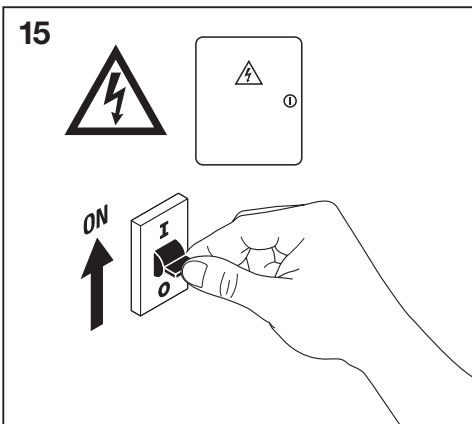
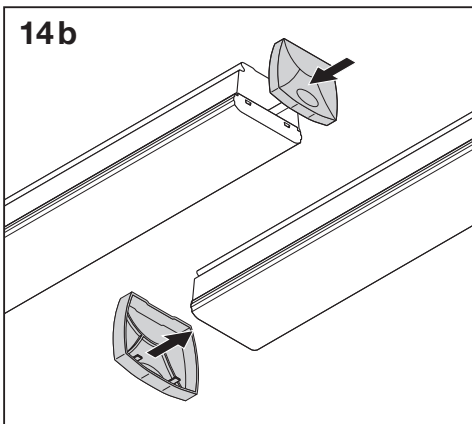
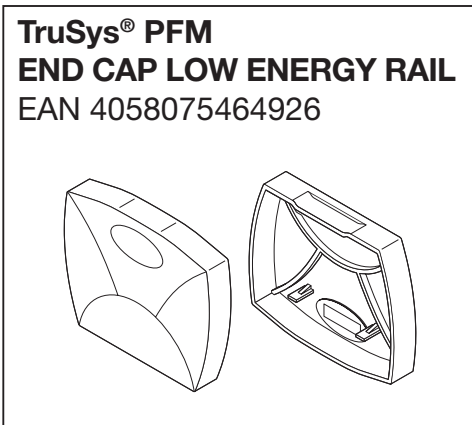
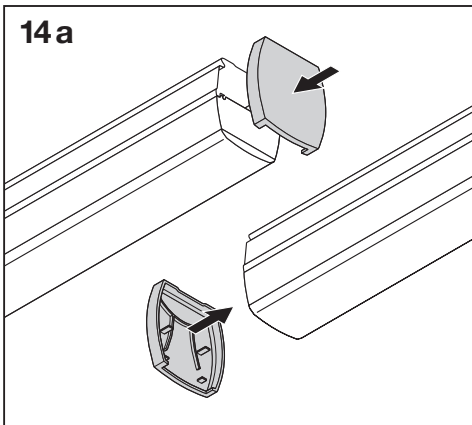
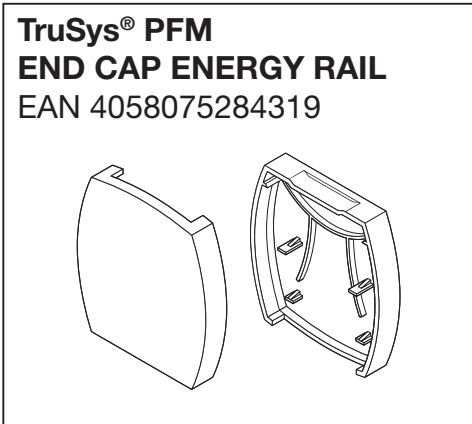
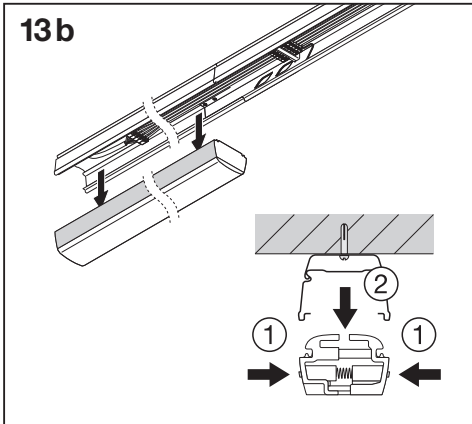
|                                      | EAN           | K    | IP | IK | ∠     | R <sub>a</sub> | °(°C)     | PF    | ⊙ | 👤      |
|--------------------------------------|---------------|------|----|----|-------|----------------|-----------|-------|---|--------|
| TRUSYS PFM 35W/4000K VW              | 4058075290921 | 4000 | 20 | 04 | 120°  | ≥80            | -25...+40 | >0.95 | - | 1.7 kg |
| TRUSYS PFM 50W/4000K VW              | 4058075398771 | 4000 | 20 | 04 | 120°  | ≥80            | -25...+40 | >0.95 | - | 1.7 kg |
| TRUSYS PFM 70W/4000K VW              | 4058075398818 | 4000 | 20 | 04 | 120°  | ≥80            | -25...+40 | >0.95 | - | 1.7 kg |
| TRUSYS PFM 35W/4000K W               | 4058075290839 | 4000 | 20 | 04 | 90°   | ≥80            | -25...+40 | >0.95 | - | 1.7 kg |
| TRUSYS PFM 50W/4000K W               | 4058075290853 | 4000 | 20 | 04 | 90°   | ≥80            | -25...+40 | >0.95 | - | 1.7 kg |
| TRUSYS PFM 70W/4000K W               | 4058075290891 | 4000 | 20 | 04 | 90°   | ≥80            | -25...+40 | >0.95 | - | 1.7 kg |
| TRUSYS PFM 35W/4000K N               | 4058075398719 | 4000 | 20 | 04 | 60°   | ≥80            | -25...+40 | >0.95 | - | 1.7 kg |
| TRUSYS PFM 50W/4000K N               | 4058075290945 | 4000 | 20 | 04 | 60°   | ≥80            | -25...+40 | >0.95 | - | 1.7 kg |
| TRUSYS PFM 70W/4000K N               | 4058075290969 | 4000 | 20 | 04 | 60°   | ≥80            | -25...+40 | >0.95 | - | 1.7 kg |
| TRUSYS PFM 35W/4000K VN              | 4058075398696 | 4000 | 20 | 04 | 30°   | ≥80            | -25...+40 | >0.95 | - | 1.7 kg |
| TRUSYS PFM 50W/4000K VN              | 4058075398757 | 4000 | 20 | 04 | 30°   | ≥80            | -25...+40 | >0.95 | - | 1.7 kg |
| TRUSYS PFM 70W/4000K VN              | 4058075290983 | 4000 | 20 | 04 | 30°   | ≥80            | -25...+40 | >0.95 | - | 1.7 kg |
| TRUSYS PFM 35W/4000K DS              | 4058075398733 | 4000 | 20 | 04 | 2x30° | ≥80            | -25...+40 | >0.95 | - | 1.7 kg |
| TRUSYS PFM 50W/4000K DS              | 4058075398795 | 4000 | 20 | 04 | 2x30° | ≥80            | -25...+40 | >0.95 | - | 1.7 kg |
| TRUSYS PFM 70W/4000K DS              | 4058075398832 | 4000 | 20 | 04 | 2x30° | ≥80            | -25...+40 | >0.95 | - | 1.7 kg |
| TRUSYS PFM ENERGY RAIL 1500 5P 1x    | 4058075299566 | -    | -  | 04 | -     | -              | -25...+40 | -     | - | 1.6 kg |
| TRUSYS PFM ENERGY RAIL 1500 5P 10x   | 4058075299443 | -    | -  | 04 | -     | -              | -25...+40 | -     | - | 1.6 kg |
| TRUSYS PFM ENERGY RAIL 1500 5P E 1x  | 4058075354753 | -    | -  | 04 | -     | -              | -25...+40 | -     | - | 1.3 kg |
| TRUSYS PFM ENERGY RAIL 1500 5P E 10x | 4058045299474 | -    | -  | 04 | -     | -              | -25...+40 | -     | - | 1.3 kg |
| TRUSYS PFM ENERGY RAIL 3000 5P 1x    | 4058075354777 | -    | -  | 04 | -     | -              | -25...+40 | -     | - | 3.3 kg |
| TRUSYS PFM ENERGY RAIL 3000 5P 10x   | 4058075299498 | -    | -  | 04 | -     | -              | -25...+40 | -     | - | 3.3 kg |





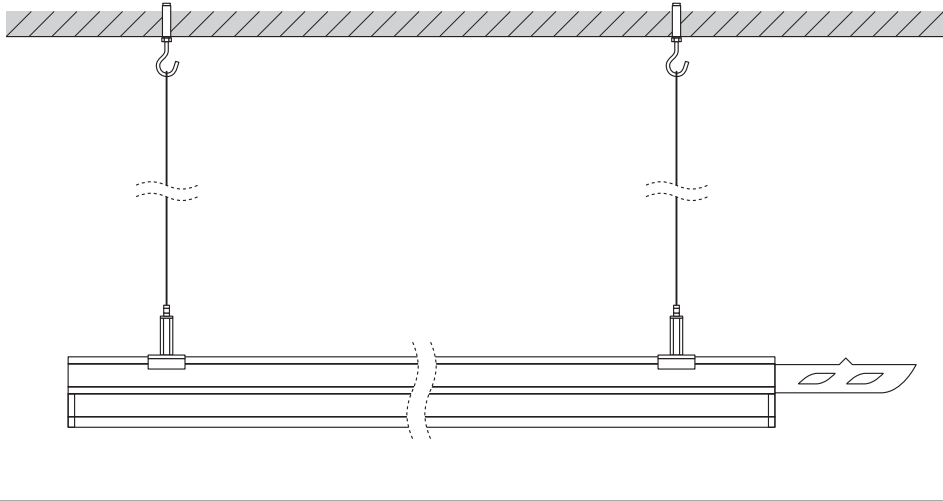
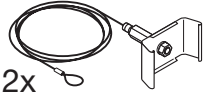
**TruSys® PFM**  
**FEED IN 5P**  
 EAN 4058075284623





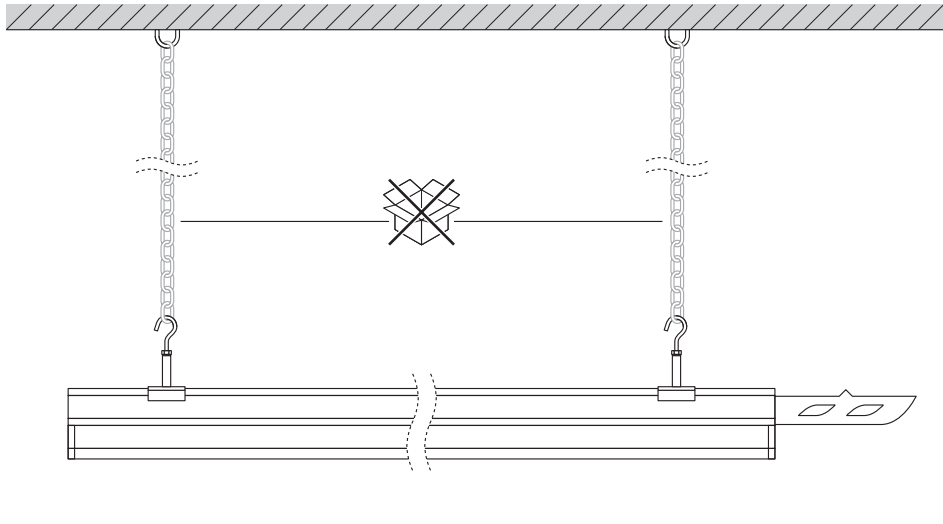
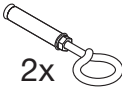
**TruSys® PFM SUSPENSION KIT**

EAN 4058075284234



**TruSys® PFM CHAIN KIT**

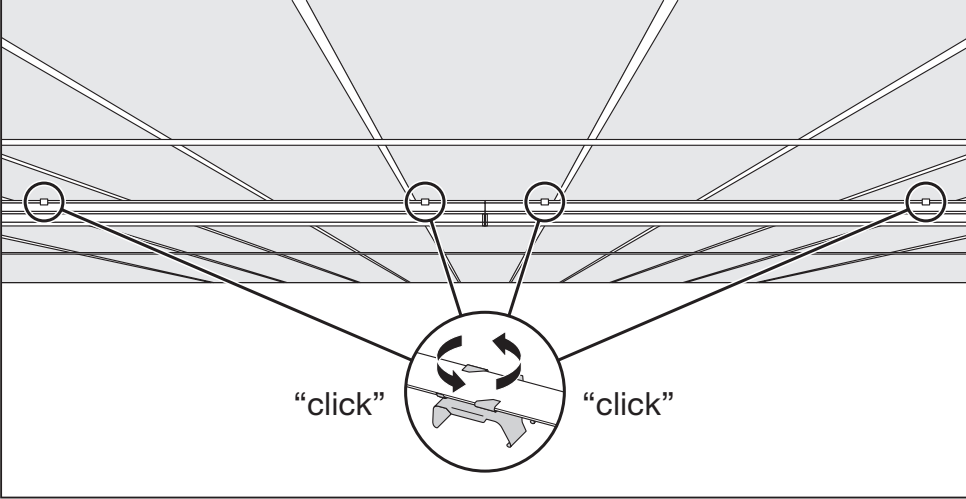
EAN 4058075284258



**TruSys® PFM GRID CEILING CLIP**

EAN 4058075284609

2x



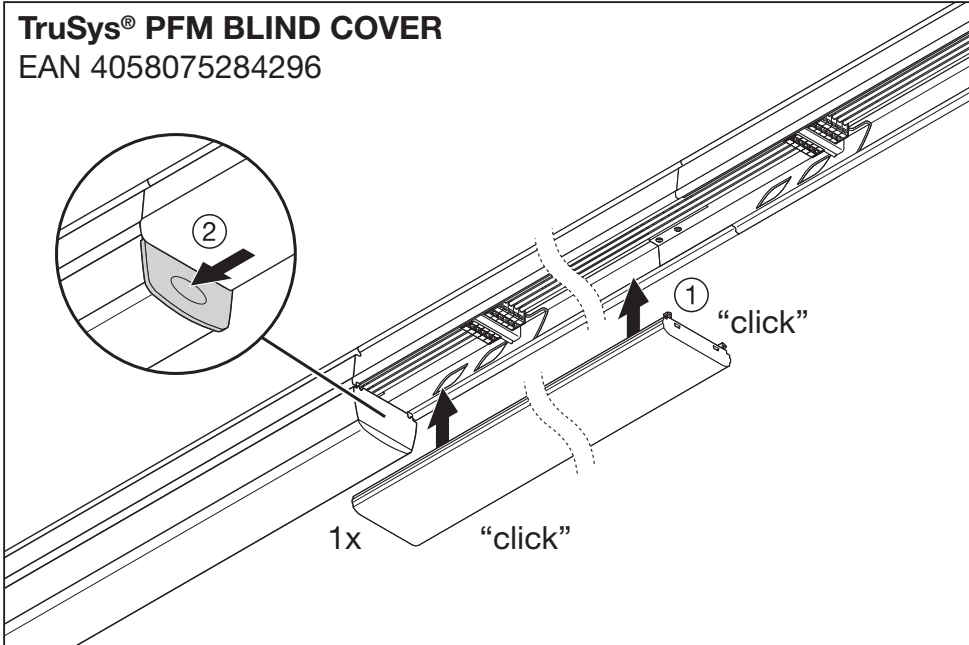
**TruSys® PFM BLIND COVER**

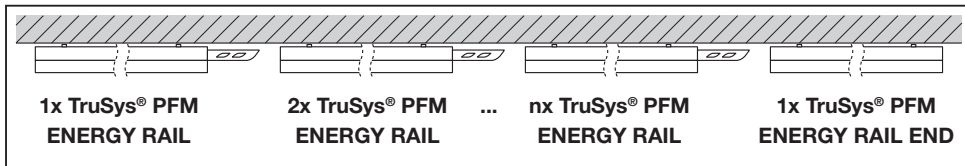
EAN 4058075284296


1x

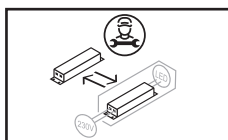
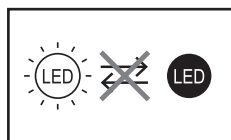
"click"

"click"





|  | C10 A | B16 A | C16 A | Inrush current | Inrush Charge Time Th50 |
|---|-------|-------|-------|----------------|-------------------------|
| TRUSYS PFM 35W/4000K  | 12    | 13    | 19    | 25 A           | 220 µs                  |
| TRUSYS PFM 50W/4000K  | 8     | 8     | 13    | 30 A           | 265 µs                  |
| TRUSYS PFM 70W/4000K  | 5     | 5     | 9     | 32 A           | 400 µs                  |



C10449058  
G11093100V2  
31.03.21



LEDVANCE GmbH  
Steinerne Furt 62  
86167 Augsburg, Germany  
[www.ledvance.com](http://www.ledvance.com)