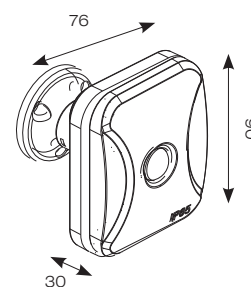


OCTO Outdoor Smart PIR Sensor Connected by WiZ



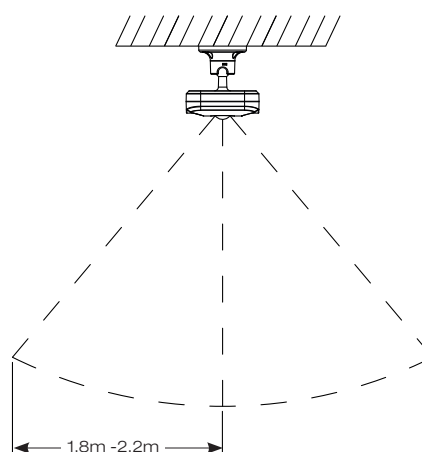
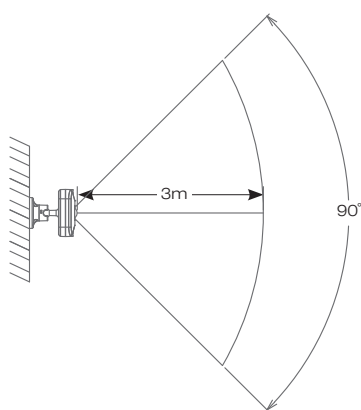
- IP65 external Wifi enabled PIR sensor suitable for residential and small-scale commercial applications
- Compatible with all other OCTO Connected by WiZ devices
- Infrared PIR detector and photocell
- Detection range strength: 1) Strong detection zone i.e. person moving arm or walking towards PIR 2) Secondary detection zone i.e. person walking perpendicular to PIR
- Typical battery lifetime 1 year (on assumption 50 actions per day, battery capacity 2800 mAh)
- Battery powered using 2 x AA batteries (not supplied)



OCTO
Embedded

Connected by

WiZ



CODE	DESCRIPTION	IP	IK	TRADE
AOCTOW/B/PIR/IP65-S	Smart PIR Sensor - External	IP65	08	£299.65