

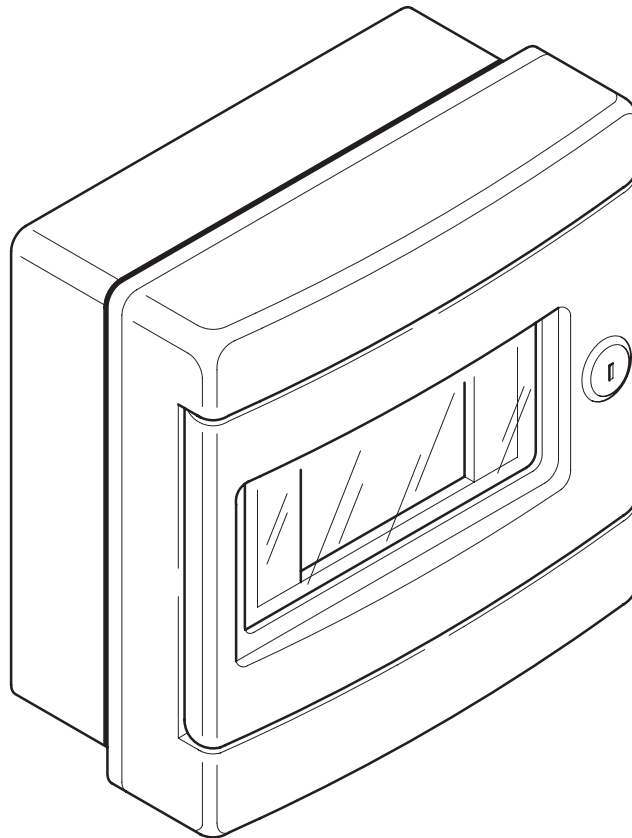
42 RV

GEWISS

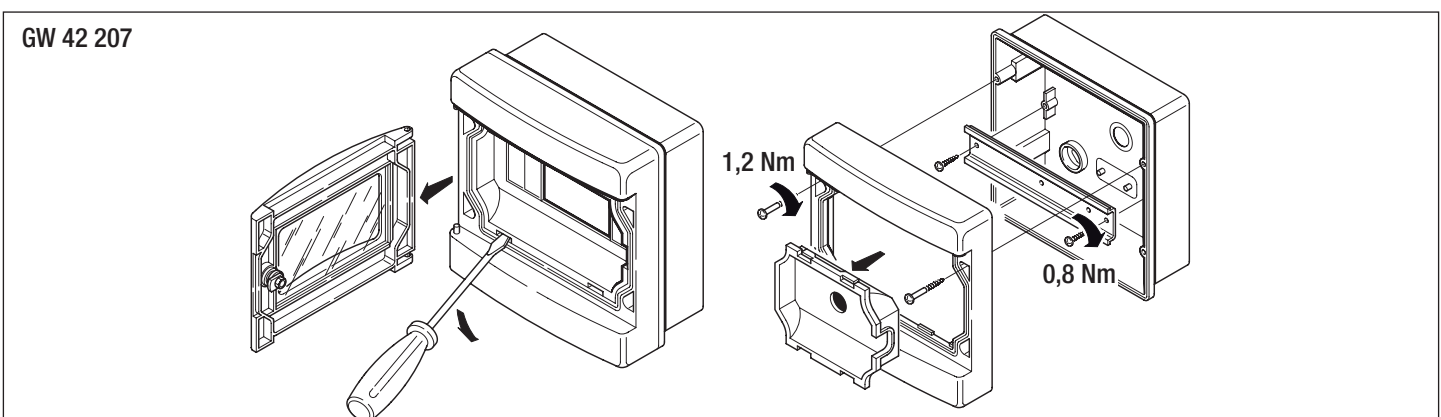
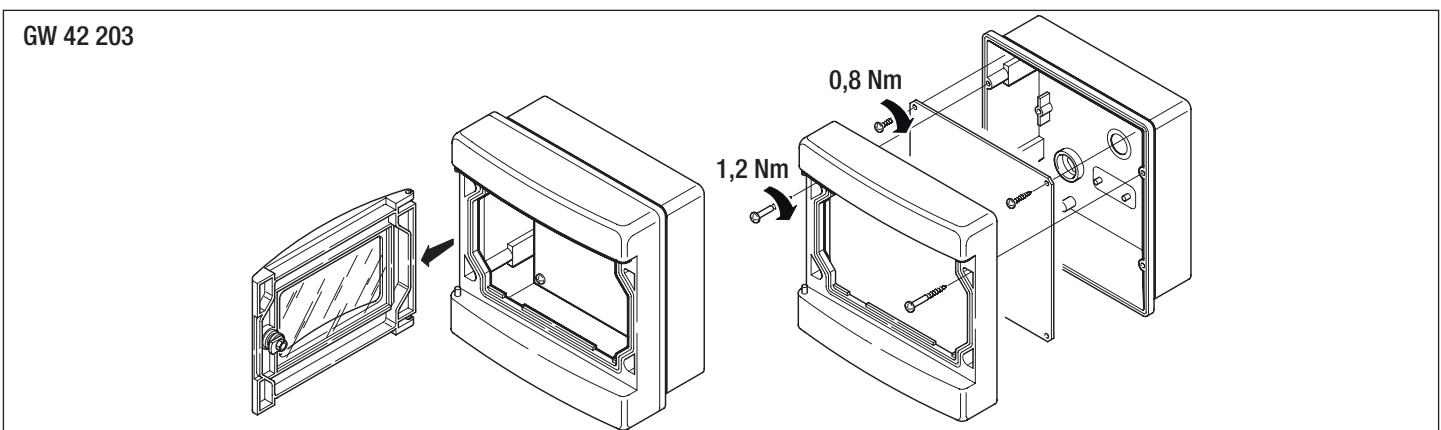
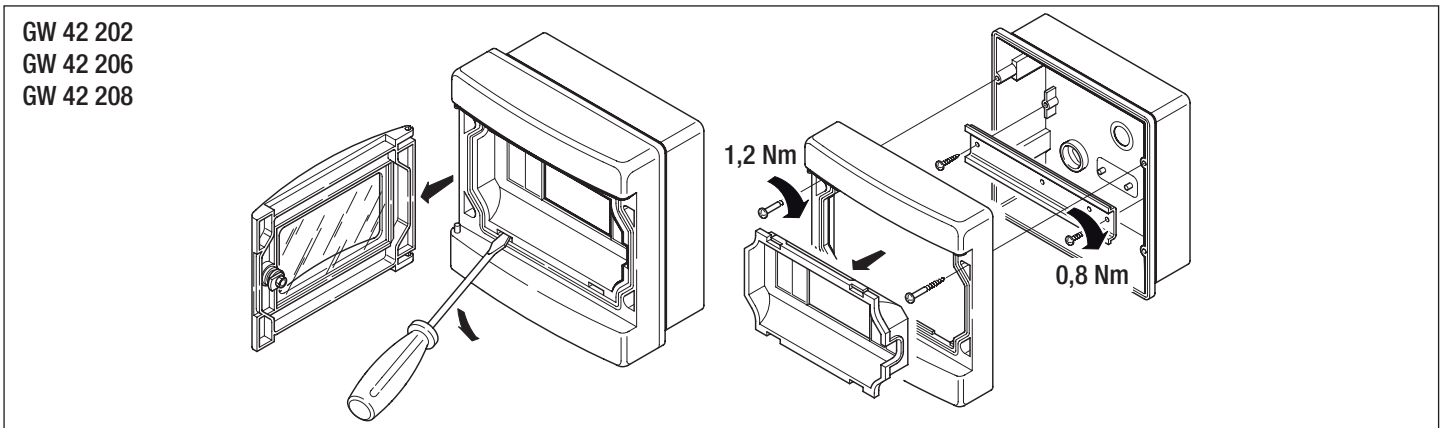
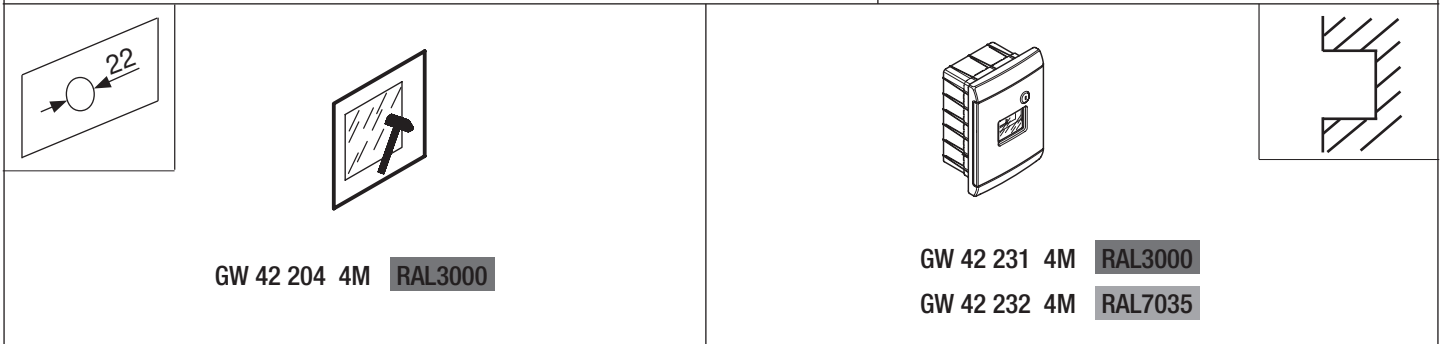
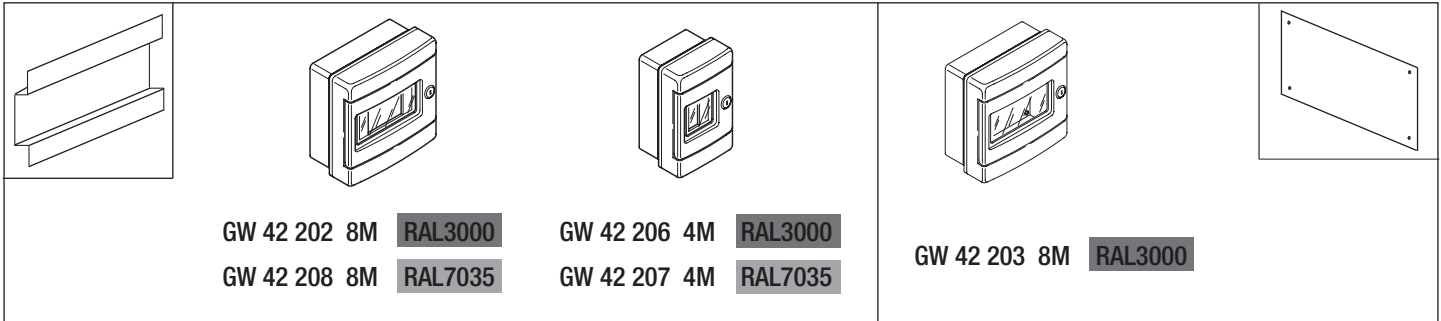


CE UK
CA

IP 55

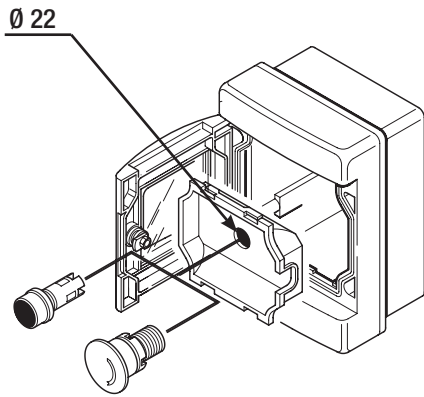


	Pde		Pde
GW 42 202	18 W	GW 42 207	12 W
GW 42 203	18 W	GW 42 208	18 W
GW 42 204	12 W	GW 42 231	12 W
GW 42 206	12 W	GW 42 232	12 W

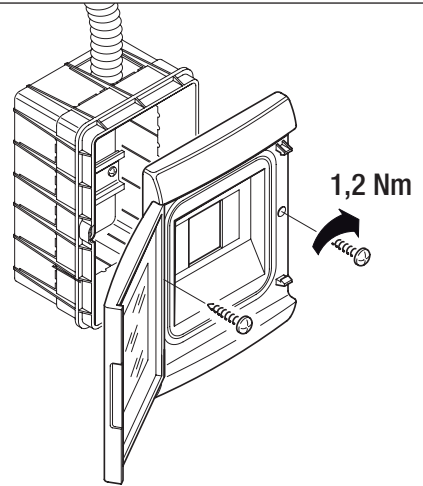










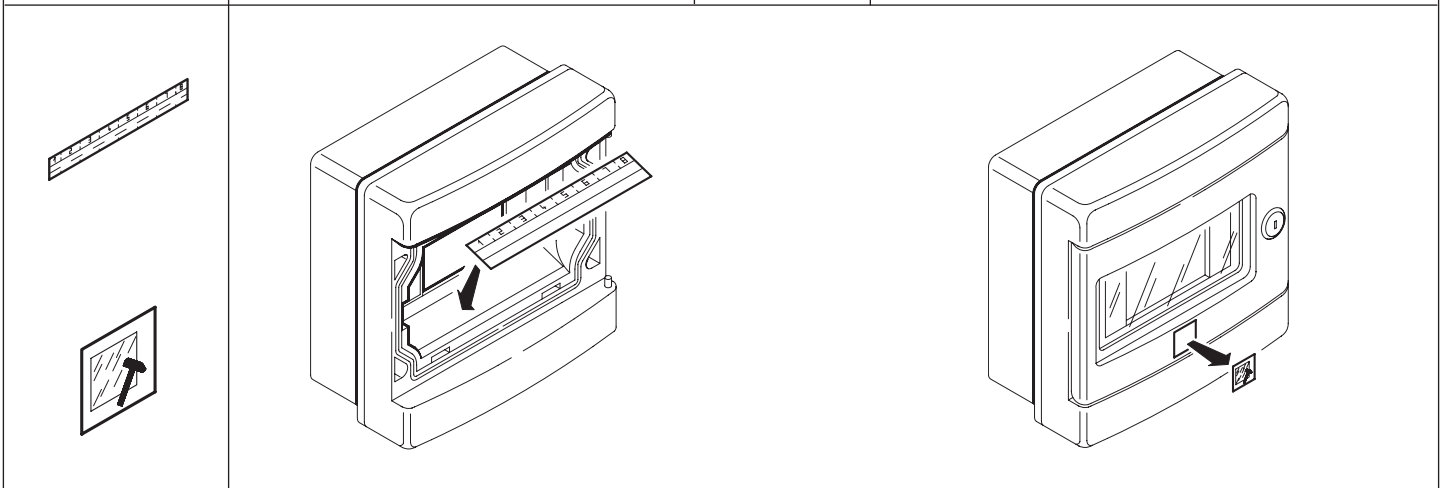
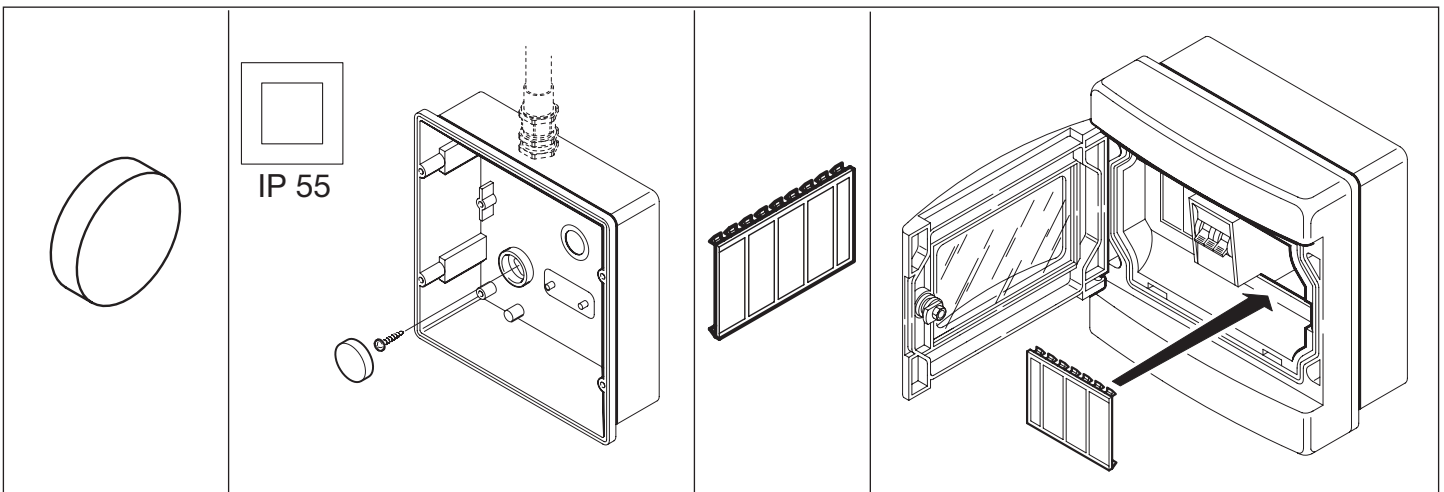
GW 42 207

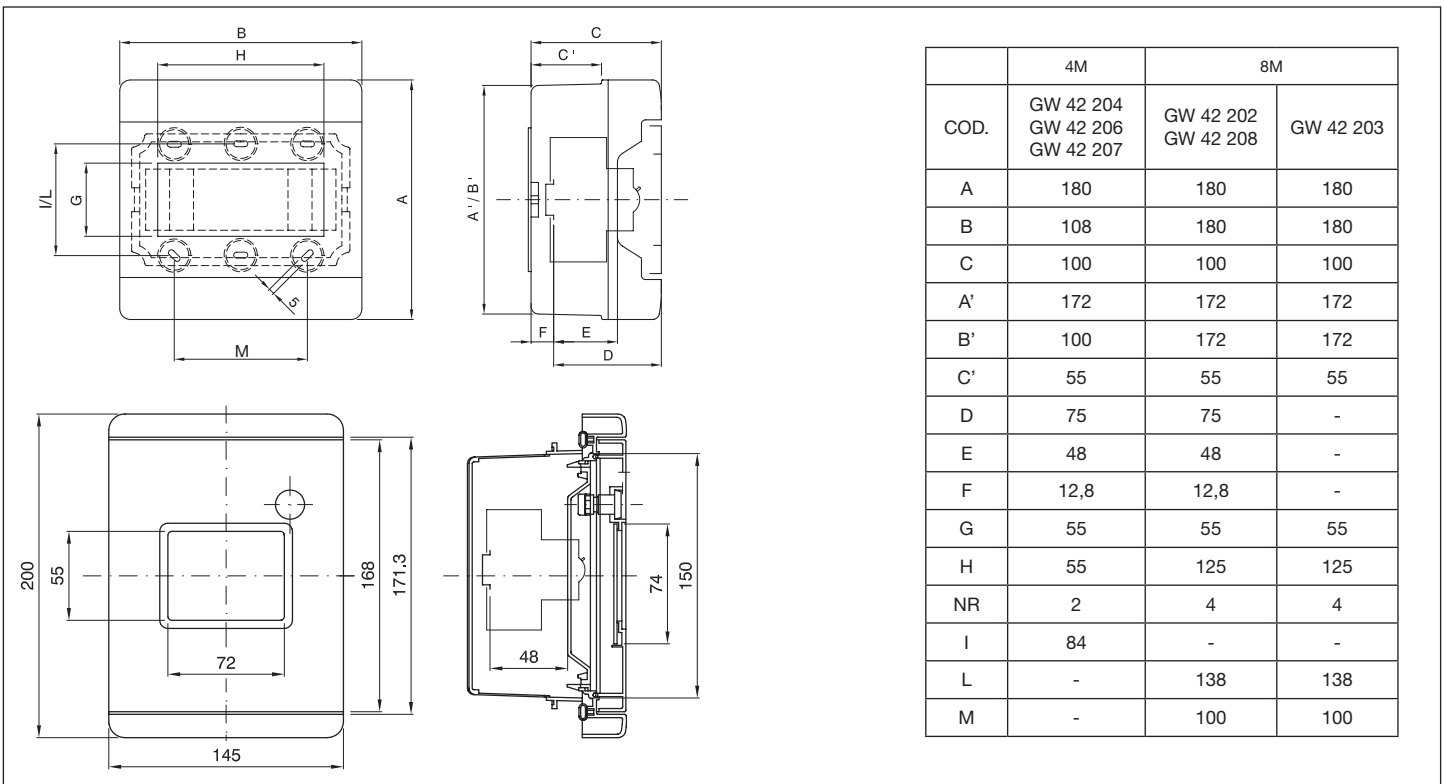
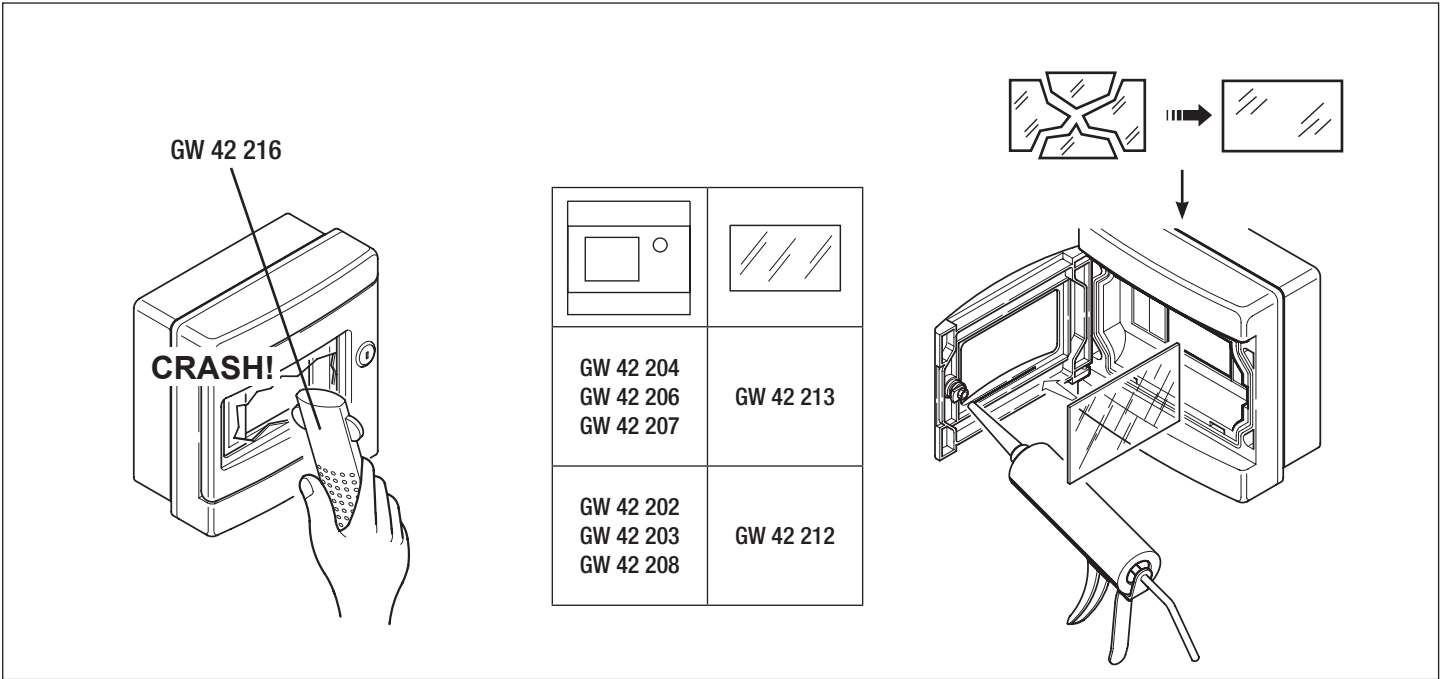


GW 42 231
GW 42 232



						 Ø 22
GW 42 202	4	1	1	1	1	-
GW 42 203	4	-	-	1	1	-
GW 42 204	2	-	-	1	1	-
GW 42 206	2	-	1	1	1	-
GW 42 207	2	-	1	1	1	1
GW 42 208	4	1	1	1	1	-
GW 42 231	-	-	1	1	1	-
GW 42 232	-	-	1	1	1	-





IEC 60670-24 GP	
Un	400V
Ui	1000V
In	125A

IEC 60670-24 PD	
Un	400V
Ui	1000V
In	125A
IK	08

Punto di contatto indicato in adempimento ai fini delle direttive e regolamenti UE applicabili:
 Contact details according to the relevant European Directives and Regulations:
 GEWISS S.p.A. Via A.Volta, 1 IT-24069 Cenate Sotto (BG) Italy tel: +39 035 946 111 E-mail: qualitymarks@gewiss.com

According to applicable UK regulations, the company responsible for placing the goods in UK market is:
 GEWISS UK LTD - Unity House, Compass Point Business Park, 9 Stocks Bridge Way, ST IVES
 Cambridgeshire, PE27 5JL, United Kingdom tel: +44 1954 712757 E-mail: gewiss-uk@gewiss.com

+39 035 946 11
 8:30 - 12:30 / 14:00 - 18:00
 lunedì - venerdì / monday - friday

www.gewiss.com

